

TDS12032xx

AURUS-OLED PLUS touch panel – 4x8 buttons

AURUS-OLED PLUS is a glass touch panel with eight capacitive sense buttons. It features a hidden menu structure with four customizable pages (two pages are pre-configured as an audio and a temperature control page).

There are eight (night illuminated) feedback LED's, a built-in infrared receiver for remote control, a buzzer and a built-in temperature sensor for room temperature control.

AURUS is available in black, white, gold and aluminium grey versions.

The unit can be mounted in a single wall box or BTicino 506L box as used for the (former) LATUS- and VFD touch panels. Therefore, the AURUS-OLED PLUS is also the perfect upgrade/replacement for the LATUS, LATUS-LCD and VFD touch panels.

TELETASK only uses exclusive safety-glass with ceramic printing, hardened at 800°C for all AURUS family members. Therefore, colour fading is not possible.

APPLICATION

AUTOBUS compatible touch panel

CHARACTERISTICS

General

Solid safety-glass front plate, ceramic background printed and thermal hardened.

8 capacitive sensitive buttons.

Hidden menu structure (3 extra pages of which 2 pre-programmed as audio and temperature page – every page is customizable from out of PROSOFT)

1 hidden "CLEAN" button.

Build-in infrared receiver for remote control (TDS12503).

Build-in temperature sensor for room temperature control (floor heating, ventilation heating, traditional heating and air-conditioning).

Buzzer.

Order numbers

TDS12032WH white

TDS12032BL black

TDS12032AU gold

TDS12032LG aluminium-grey

Cleaning

To temporary disable the touch buttons, press long on the middle dot on the left of the OLED screen.

Use only dry microfiber cloth. Never use liquids or solvents!

SETTINGS

Configuration

Via PROSOFT Suite (V3.5.12 or higher).

AUTOBUS address

Via rotary switches "Tens" & "Unit".

Jumpers

Terminating resistor (supplied with the interface). To be used when the interface is at the physical end of the AUTOBUS cable.

INSTALLATION

Standard mounting

To be mounted with included wall bracket in about any standard single wall box.

Or order the TELETASK standard single wall box for brick walls ref. TDS90000AT. For plaster board or other hollow walls order ref. TDS90000PB.

To be placed in **horizontal position only**.

To remove the AURUS-OLED PLUS after installation, place a flat-head screw driver in the provided slot at the back of the housing. A standard flat-head screw driver of 5x100mm (3/16x4in.) is recommended.

On-wall mounting

Use the TDS90035 on-wall box in case of concrete, marble, ... walls, if the standard in-wall solution is not possible.

Supply voltage

12V (supplied by the AUTOBUS - minimum 9V). Can be checked in PROSOFT Diagnostics.

CONNECTIONS

AUTOBUS

AUTOBUS connector set supplied with this unit.

POWER CONSUMPTION

Max. 110 mA (all LEDs ON + display ON)

DIMENSIONS

205W x 100H x 13,5D (mm) thickness on wall

NET | GROSS WEIGHT

0,295 kg | 0,500 kg

PACKAGING CONTENT

TDS12032xx interface

AUTOBUS connection set + terminating resistor

Wall bracket + adaptor

STORAGE

Temperature

-20°C to +65°C

Relative humidity

15% to 85%

! Avoid high humidity and high temperatures for long time.

IP PROTECTION RATE

IP20

OPERATING RANGE

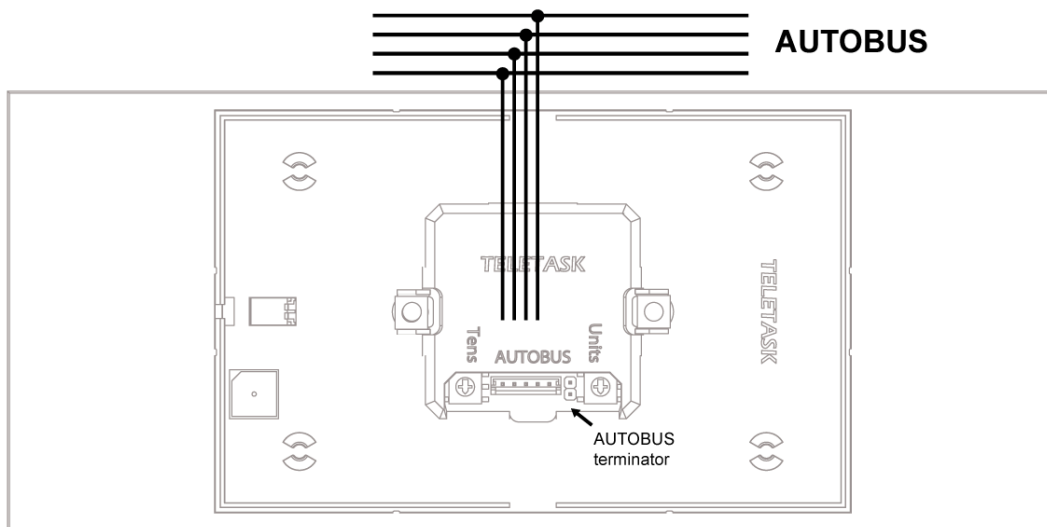
Temperature

0°C to +50°C max.

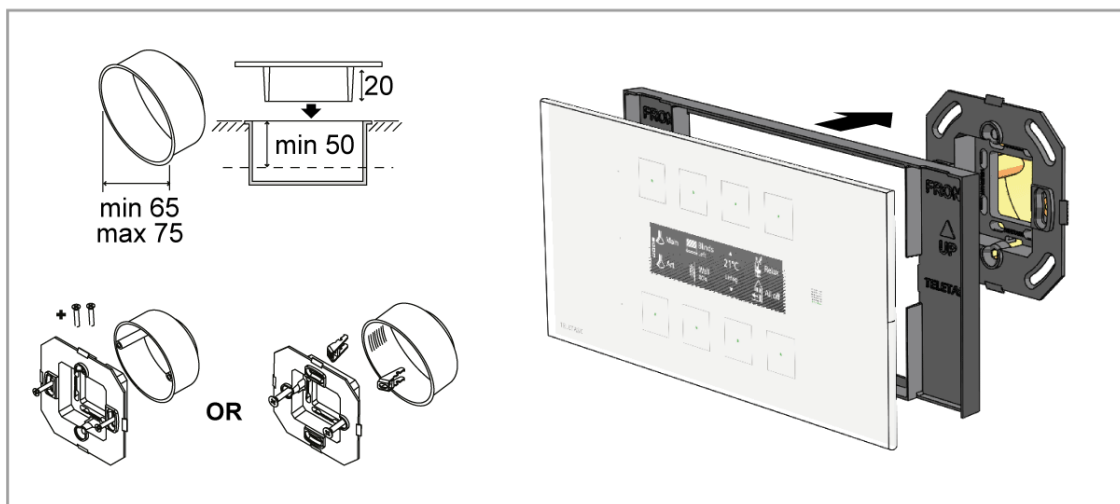
Relative humidity

5% to 80% at 25°C (non-condensing ambient)

SCHEMATIC DRAWING



New installation



Replacement TDS12001/TDS12015/TDS12017

