

HVAC PLUG

TDS20067xx

This HVAC PLUG interface is a brand related (several order ref's TDS20067xx available) SPLIT system integration solution. It is one of the many solutions from TELETASK to integrate HVAC with the other home automation system features. The HVAC PLUG integrates a (multi)split HVAC indoor unit via a specific IP HUB with the DoIP system. Up to ten HVAC PLUG units can be connected over 3 wires with a HVAC HUB TDS20068 (see specific data sheet for this device) .

HVAC PLUG interface

APPLICATION

TDS integration over IP with an indoor unit of a specific brand. See the list of TDS20067xx interfaces and their supported HVAC indoor units below, or ask your TELETASK contact if your specific indoor unit is supported. TELETASK has a full range of HVAC PLUGS for all most important HVAC brands. See the list below but we may have a solution for non listed indoor units as well. Please send the references, of your indoor- and outdoor units, to your TELETASK technical support contact to check if your HVAC device is supported. In order to connect the HVAC PLUG with the DoIP system, a universal (brand independent) HVAC HUB is needed per up to ten HVAC PLUG units. The HVAC PLUG solution is an alternative if the indoor units can't be controlled over IR (with the TDS14065) or in case the TDS20065 universal HVAC interface over IP is too powerful and not necessary.

CHARACTERISTICS

General

The interface is compact and can be installed in the indoor unit or hidden in the ceiling next to the indoor unit. It is powered by the indoor unit (Depending on the brand a specific cable may be supplied with the HVAC PLUG). The integration allows the end-user to control all basic functions : on/off, mode set, temperature set, fan speed- and swing control.

Software license:

In order to activate this integration with DoIP, a TDS15200 HVAC software license is needed. It is included with the TDS20068 HVAC HUB interface, so it is not to be ordered separately.

Supported brands

- Daikin
- Daikin Siesta Series
- Fujitsu
- Fujitsu/General
- Gree
- Hitachi
- LG
- Midea
- Mitsubishi Electric
- Mitsubishi Heavy
- Panasonic
- Samsung
- Sanyo
- Toshiba

More brands available upon request.

SETTINGS

Configuration

After setting the HVAC PLUG via the specific software (see installation manual), the control settings are configured in the PROSOFT configuration Suite (V3.8.2 or higher).

AUTOBUS address

Not applicable. The HVAC PLUG is software addressed (see installation manual).

INSTALLATION

Mounting

Can be mounted with a specific sticker/magnet combination to the indoor unit housing.

Supply voltage

The HVAC PLUG is powered from the indoor unit.

CONNECTIONS

A daisy chain network to the HVAC HUB

The HVAC PLUG is connected to his HVAC HUB via a daisy chain network, which means a multi-drop network of 2+1 wire which can be up to 1000 meter long. For example a 2 x twisted pair cable with wires 0.5mm².

To the indoor unit

A brand specific connection cable from the HVAC PLUG to the indoor unit is supplied with the interface. Please check "[TDS20067 Quick Installation Guide](#)", if special cable is required, it is included in the package. Maximum length is always 2 meter.

To the LAN

The HVAC PLUG is not directly connected to the TDS LAN but it is connected to a HVAC HUB and this HUB makes the ethernet connection.

POWER CONSUMPTION

No consumption on the TDS system (the HVAC PLUG is powered by the HVAC indoor unit).

DIMENSIONS

62 L x 62 W x 31 H (mm)

NET | GROSS WEIGHT

0,07 kg | 0,13 kg

PACKAGING CONTENT:

TDS20067xx interface
Brand specific cable (optional)
Mounting bracket

ENVIRONMENTAL CONDITIONS

Storage (with no condensation or icing)

Temperature: -20°C to +65°C max.
Relative humidity: 5% to 85% max.

Operation (with no condensation or icing)

Temperature: 0°C to +50°C max.
Relative humidity: 5% to 80% max.

IP PROTECTION RATE

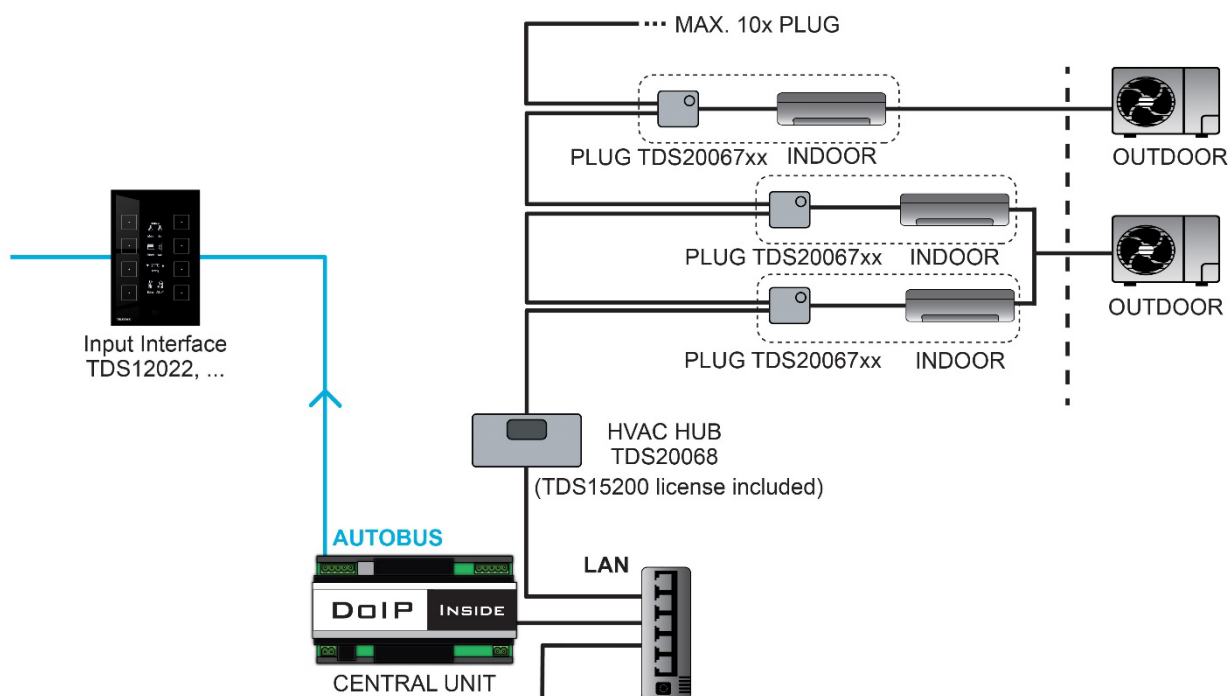
IP20

LIMITED WARRANTY

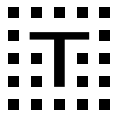
3 year

SCHEMATIC DRAWING

SPLIT / MULTI SPLIT



Brand	PLUG Model	Cable Type
Daikin	TDS20067DK	S21
Daikin Siesta series	TDS20067DS	Siesta
Fujitsu/General	TDS20067FJ	FJ003
GREE	TDS20067GR	4 units
Hitachi	TDS20067HT	X
LG	TDS20067LG	X
Mitsubishi Electric	TDS20067ME	CN105
Mitsubishi Heavy	TDS20067MH	X
Panasonic	TDS20067PN	X
Samsung	TDS20067SM	X
Sanyo	TDS20067SA	X
Toshiba	TDS20067TO	X



COMPATIBILITY LIST

<p>Daikin</p>	<p>Outdoor VRF Unit Types ERLQ3 ERHQ3</p> <p>Outdoor VRV Unit Types VRV 5 S-series:RXYSA</p> <p>Outdoor Split Unit Types RZQ (RZR) RQ RXRY</p>	<p>Indoor VRF/MRV Unit Types</p> <table border="0"> <tr> <td>ADEQS</td> <td>FXDYQ</td> <td>FQSP</td> </tr> <tr> <td>FXCQ</td> <td>FXSQ</td> <td>FXDp</td> </tr> <tr> <td>FXNQ</td> <td>FXAQ</td> <td>EHSX3</td> </tr> <tr> <td>FXLQ</td> <td>FXUQ</td> <td>EHVX3</td> </tr> <tr> <td>FXFQ</td> <td>FXMQ</td> <td>EHVA3</td> </tr> <tr> <td>FXKQ</td> <td>FXHQ</td> <td>EBH3</td> </tr> <tr> <td>FXZQ</td> <td>FXTQ</td> <td>EBX3</td> </tr> <tr> <td>FXDQ</td> <td>FQDP</td> <td>FDYQN</td> </tr> <tr> <td>FXFA-A</td> <td></td> <td></td> </tr> </table> <p>Indoor Split</p> <table border="0"> <tr> <td>FDX2</td> <td>FFQ1</td> <td>FCQ1</td> </tr> <tr> <td>CDX2</td> <td>FAQ1</td> <td>FHQ</td> </tr> <tr> <td>FTX2</td> <td>FBQ1</td> <td>FTQ1</td> </tr> <tr> <td></td> <td></td> <td>FDQ1</td> </tr> </table>	ADEQS	FXDYQ	FQSP	FXCQ	FXSQ	FXDp	FXNQ	FXAQ	EHSX3	FXLQ	FXUQ	EHVX3	FXFQ	FXMQ	EHVA3	FXKQ	FXHQ	EBH3	FXZQ	FXTQ	EBX3	FXDQ	FQDP	FDYQN	FXFA-A			FDX2	FFQ1	FCQ1	CDX2	FAQ1	FHQ	FTX2	FBQ1	FTQ1			FDQ1
ADEQS	FXDYQ	FQSP																																							
FXCQ	FXSQ	FXDp																																							
FXNQ	FXAQ	EHSX3																																							
FXLQ	FXUQ	EHVX3																																							
FXFQ	FXMQ	EHVA3																																							
FXKQ	FXHQ	EBH3																																							
FXZQ	FXTQ	EBX3																																							
FXDQ	FQDP	FDYQN																																							
FXFA-A																																									
FDX2	FFQ1	FCQ1																																							
CDX2	FAQ1	FHQ																																							
FTX2	FBQ1	FTQ1																																							
		FDQ1																																							
<p>Fujitsu</p>	<p>Series</p> <table border="0"> <tr> <td>ASBG</td> <td>ARXC</td> <td>ABYG</td> </tr> <tr> <td>ASYA</td> <td>ARXB</td> <td>ABYF</td> </tr> <tr> <td>ASYG</td> <td>AUYG</td> <td>ABYA</td> </tr> <tr> <td>ASYB</td> <td>AUYF</td> <td>ARTAL</td> </tr> <tr> <td>ASYE</td> <td>AUYA</td> <td>RCI</td> </tr> <tr> <td>ARYF</td> <td>AUXB</td> <td>RPC</td> </tr> <tr> <td>ARYG</td> <td>AUXD</td> <td>RPI</td> </tr> <tr> <td>ARYA</td> <td>AUXA</td> <td>RCD</td> </tr> <tr> <td>ARXA</td> <td>AGYF</td> <td>RPK</td> </tr> <tr> <td>ARYC</td> <td>AGYG</td> <td>RPI</td> </tr> <tr> <td></td> <td></td> <td>RPF</td> </tr> </table>	ASBG	ARXC	ABYG	ASYA	ARXB	ABYF	ASYG	AUYG	ABYA	ASYB	AUYF	ARTAL	ASYE	AUYA	RCI	ARYF	AUXB	RPC	ARYG	AUXD	RPI	ARYA	AUXA	RCD	ARXA	AGYF	RPK	ARYC	AGYG	RPI			RPF							
ASBG	ARXC	ABYG																																							
ASYA	ARXB	ABYF																																							
ASYG	AUYG	ABYA																																							
ASYB	AUYF	ARTAL																																							
ASYE	AUYA	RCI																																							
ARYF	AUXB	RPC																																							
ARYG	AUXD	RPI																																							
ARYA	AUXA	RCD																																							
ARXA	AGYF	RPK																																							
ARYC	AGYG	RPI																																							
		RPF																																							
<p>Mitsubishi Electric</p>	<p>Indoor Split</p> <table border="0"> <tr> <td>PKFY</td> <td>PLFY-P-VCM</td> <td>PEA-RP</td> </tr> <tr> <td>PEFY</td> <td>PEAD-RP</td> <td>SEZ</td> </tr> <tr> <td>PFFY-PVKM</td> <td>PCA</td> <td>SLZ</td> </tr> </table>	PKFY	PLFY-P-VCM	PEA-RP	PEFY	PEAD-RP	SEZ	PFFY-PVKM	PCA	SLZ																															
PKFY	PLFY-P-VCM	PEA-RP																																							
PEFY	PEAD-RP	SEZ																																							
PFFY-PVKM	PCA	SLZ																																							
<p>Hitachi LG Gree Midea Mitsubishi Heavy Panasonic Samsung Sanyo Toshiba</p>	<p>Please contact your local support to confirm your model.</p>																																								