

### TDS20068

The HVAC HUB unit is an interface that makes the connection between one to ten HVAC PLUG units (TDS20067xx) and the DoIP central unit LAN. Up to ten HVAC PLUG units can be connected over 3 wires with this HVAC HUB.

### HVAC HUB interface

#### APPLICATION

TDS integration over IP with (multi-)split indoor units in small to medium size HVAC projects. See list of supported HVAC indoor devices below or ask your TELETASK contact if your specific indoor unit is supported. TELETASK has a range of other HVAC PLUGS for other brands as well.

In order to connect up to ten HVAC PLUG interfaces TDS20067xx with the DoIP system, this universal HVAC HUB TDS20068 is to be used.

#### CHARACTERISTICS

##### General

The integration enables the end-user to control all basic HVAC functions : on/off, cool/heat mode set, temperature set, fan speed- and swing control.

In order to activate this integration with DoIP, a TDS15200 HVAC software license is needed. It is included with the TDS20068 HVAC HUB interface, so it is not to be ordered separately.

##### Supported brands

- Daikin
- Daikin Siesta Series
- Fujitsu
- Fujitsu/General
- Gree
- Hitachi
- LG
- Midea
- Mitsubishi Electric
- Mitsubishi Heavy
- Panasonic
- Samsung
- Sanyo
- Toshiba

More brands available upon request.

#### SETTINGS

##### Configuration

After defining the HVAC PLUG settings via the specific software (installation manual), the HVAC interface is ready to be configured in the PROSOFT Suite (V3.8.2 or higher).

##### AUTOBUS address

Not applicable. The interface is not connected to AUTOBUS but communicates with the TELETASK central unit(s) via standard LAN connection.

#### INSTALLATION

##### Mounting

The interface is compact and can be installed hidden in almost any place where it can be connected with the LAN (ethernet) and to the one to ten HVAC PLUGS units (3-wire daisy chain network). We recommend to install it where you have easy access (like in the electrical board or ICT rack).

##### Supply voltage

The HVAC HUB is powered with the supplied mains adaptor.

#### CONNECTIONS

##### A daisy chain network to the HVAC PLUG unit(s)

The HVAC PLUG units are connected to the HVAC HUB via a daisy chain network, which means a multi-drop network of 2+1 wire which can be up to 1000 meter long in total. For example a 2 x twisted pair cable with wires 0.5mm<sup>2</sup>.

##### To the LAN

The HVAC HUB has a standard RJ45 ethernet connection in order to be connected to the LAN (switch).

#### POWER CONSUMPTION

No consumption on the TDS system (the HVAC HUB is powered by the supplied mains adaptor).

#### DIMENSIONS

118 L x 75 W x 32 H (mm)

#### NET | GROSS WEIGHT

0,14 kg | 0,36 kg

#### PACKAGING CONTENT:

TDS20068 interface  
Mains adaptor  
Mounting unit

#### ENVIRONMENTAL CONDITIONS

##### Storage (with no condensation or icing)

Temperature: -20°C to +65°C max.  
Relative humidity: 5% to 85% max.

##### Operation (with no condensation or icing)

Temperature: 0°C to +50°C max.  
Relative humidity: 5% to 80% max.

#### IP PROTECTION RATE

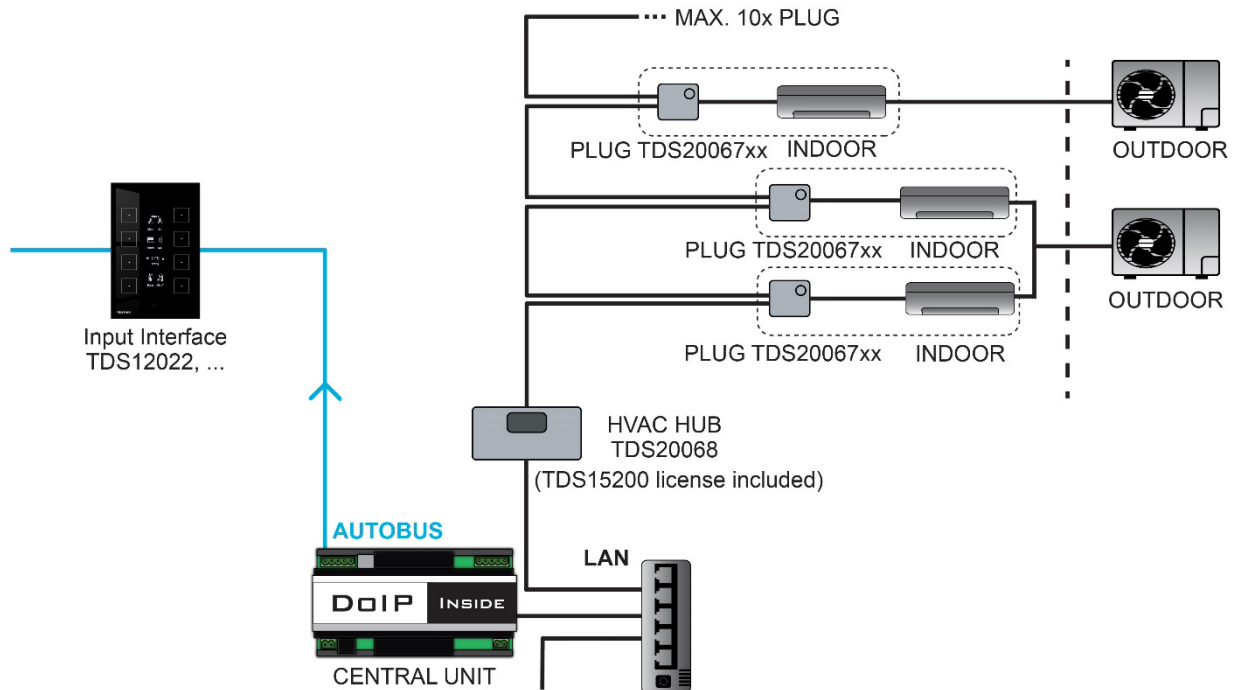
IP20

#### LIMITED WARRANTY

3 year

**SCHEMATIC DRAWING**

**SPLIT / MULTI SPLIT**



**COMPATIBILITY LIST**

Daikin	Outdoor VRF Unit Types ERLQ3 ERHQ3			Indoor VRF/VRV Unit Types ADEQS      FXDYQ      FQSP FXCQ      FXSQ      FXDp FXNQ      FXAQ      EHSX3 FXLQ      FXUQ      EHVX3 FXFQ      FXMQ      EHVA3 FXKQ      FXHQ      EHBH3 FXZQ      FXTQ      EHBX3 FXDQ      FQDP      FDYQN FXFA-A		
	Outdoor VRV Unit Types VRV 5 S-series: RXYSA			Indoor Split FDX2      FFQ1      FCQ1 CDX2      FAQ1      FHQ FTX2      FBQ1      FTQ1 FDQ1		
Fujitsu	Outdoor Split Unit Types RZR (RZR) RQ RXRY					
	Series	ARXC	ABYG			
	ASBG	ARXB	ABYF			
	ASYA	AUYG	ABYA			
	ASYG	AUYF	ARTAL			
	ASYB	AUYA	RCI			
	ASYE	AUXB	RPC			
	ARYF	AUXD	RPF1			
	ARYG	AUXA	RCD			
	ARYA					

	ARXA ARYC	AGYF AGYG	RPK RPI RPF	
Mitsubishi Electric	Indoor Split PKFY PEFY PFFY-PVKM	PLFY-P-VCM PEAD-RP PCA	PEA-RP SEZ SLZ	
Hitachi LG Gree Midea Mitsubishi Heavy Panasonic Samsung Sanyo Toshiba	Please contact your local support to confirm your model			

Download TDS20067xx,  
TDS20068 Plug & Hub Quick  
Installation manual from our  
website

<https://teletask.be/en/downloads/>

Or via

<https://professional.teletask.be/>

