

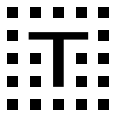


**TELETASK**

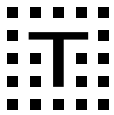
trendsetter in home automation

## **Data Sheets**

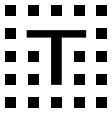
**Version: July 11, 2023**



<b>A.</b>	<b>INTRODUCTION</b> .....	5
	Software defined limits (per central unit) .....	7
<b>B.</b>	<b>DoIP Central Units</b> .....	8
TDS10200	NANOS central unit [EOL] .....	9
TDS10009 (and optional TDS15009)	PICOS DoIP central unit [EOL] .....	11
TDS10300	PALAS Central Unit (G3).....	15
TDS10309	DOMUS Central Unit (G3).....	18
<b>C.</b>	<b>CENTRAL UNIT ACCESSORIES</b> .....	22
TDS10132	AUTOBUS power supply – 12V DC 2A .....	23
TDS10134	AUTOBUS power supply – 12V DC 4A .....	25
TDS10202	AUTOBUS Extension Interface.....	27
<b>D.</b>	<b>TOUCH PANELS</b> .....	29
TDS12019xx	AURUS-1 Touch panel .....	30
TDS12020xx	AURUS-2 Touch panel .....	32
TDS12025xx	AURUS-2 SENSE Motion sensor Touch panel.....	34
TDS12024xx	AURUS-4S Touch panel.....	37
TDS12026xx	AURUS-4 TEMP Temperature control touch panel .....	39
TDS12021xx	AURUS-4XL Touch panel.....	41
TDS12022xx	AURUS-OLED Touch panel – 4x8 buttons .....	43
TDS12032xx	AURUS-OLED PLUS touch panel – 4x8 buttons .....	45
TDS12070xx	OPUS 7" colour touch screen with SIP client.....	47
TDS12064xx	AURUS-TFT 4.3" .....	50
TDS12051CA	MAIOR 10" Capacitive colour touch screen.....	52
TDS12052CA	MAIOR 15" Capacitive colour touch screen.....	54
TDS12053CA	MAIOR 19" Capacitive colour touch screen.....	56
TDS12142xx	Proximity reader .....	58
<b>E.</b>	<b>INPUT INTERFACES</b> .....	61
TDS12117	Digital input interface with 16 inputs .....	62
TDS12134	COOKIE interface with 4 x digital input.....	64
TDS12135	COOKIE digital input interface with LED feedback and PT100 input.....	66
TDS12301	COOKIE AD univ. analogue IN + Voltage contact IN.....	68
TDS12311	Analogue input interface with 8 TELETASK inputs.....	71
TDS12310	Universal analog input interface .....	73
TDS12340BE	P1 interface for digital meter (BE+NL).....	75
<b>F.</b>	<b>SENSORS</b> .....	77
TDS12150	SIRIUS ceiling motion sensor with STAR LIGHT.....	78
TDS12250WH	TELETASK Temperature sensor .....	82
TDS12251	Temperature sensor with cable (underfloor-outdoor).....	84
TDS12260WH	TELETASK Humidity sensor.....	86
TDS12270WH	TELETASK Light sensor.....	88
TDS12280	Water (leak) sensor .....	90
TDS12285	Rain detector-meter.....	91
TDS12287	Wind speed meter .....	93
<b>G.</b>	<b>SOFTWARE LICENSES</b> .....	95
TDS15101	iSGUI license for smartphones, tablets, PC and Mac [EOL].....	96

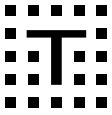


TSF16101	ATMOS app for mobile devices and PC .....	98
TDS15105	GUI+ (Software License) .....	99
TDS1511x	CONTROL TOWER Master or Client licenses .....	101
TSF16100	REMOTE SERVICES subscription .....	103
TSF16120	VOICE CONTROL subscription .....	104
TDS15200	Airco interface license .....	105
TDS15240	Audio-IP software license .....	106
<b>H.</b>	<b>OUTPUT INTERFACES</b> .....	<b>107</b>
TDS13504	Relay interface 4x10A .....	108
TDS13510	Relay interface 8x16A (with manual control) .....	110
TDS13512	Relay interface 8x10A .....	112
TDS13525	Motor interface DC (4x2A) .....	114
TDS13526	Motor Interface AC (4x max. 350W) .....	116
TDS13522	Dual Ceiling Sweep Fan Interface .....	118
TDS13530	Fan Coil Unit interface .....	120
TDS13609	Dimmer interface 8 x 0-10V output .....	122
TDS13611	Dimmer Interface 8x1-10V (+ 8x10A contact) .....	124
TDS13621	DALI - DSI - DMX interface .....	126
TDS13632	PWM LED Dimmer 2x6,25A (2x150W @ 24V) .....	129
TDS13634	PWM LED Dimmer 4x3,1A (4x75W @ 24V) .....	131
TDS13642	Universal FET Power Dimmer 700VA (2x350VA) .....	133
TDS13644	Universal FET Power Dimmer 1000VA (4x250VA) .....	135
TDS14065	IR-COOKIE .....	137
TDS20065	Universal HVAC Master on LAN .....	139
TDS20067xx	HVAC PLUG interface .....	145
TDS20068	HVAC HUB interface .....	148
TDS20069	HVAC interface for Airzone duct systems .....	151
<b>I.</b>	<b>ACCESSORIES</b> .....	<b>153</b>
TDS12075xx	Desktop Holder for OPUS .....	154
TDS20620V2	DALI-address configuration tool .....	155
TDS20640BE	P1 DIGITAL METER SIMULATOR .....	156
TDS12503	Mini Remote Control .....	157
TDS12202	Proximity card .....	158
TDS12203	TAG key holder unit .....	159
TDS14043	IR-flasher .....	160
TDS56409G3	DOMUS Demo case .....	161
TDS90030	Flush mounting for AURUS 9x14cm .....	163
TDS90032	Flush mounting for AURUS 9x9cm .....	165
TDS90035	On-wall box for AURUS family .....	166
TDS90037	Sealed on-wall box for AURUS family .....	168
TDS90460xx	Ceiling fixture for SIRIUS .....	170
TDS99019	PICOS Starter kit [EOL] .....	171
<b>J.</b>	<b>AUTOBUS</b> .....	<b>172</b>
TDS90004 - TDS90009 - TDS90304	AUTOBUS network cable 2+2 .....	173
TDS90005	AUTOBUS network cable 2+2 in a flexible tube .....	179



---

<b>K.</b>	<b>APPENDIX</b> .....	181
Appendix 1	Inrush Currents.....	182
<b>L.</b>	<b>CHANGE LOG</b> .....	183



## **A. INTRODUCTION**

## Scope

This “DATASHEET” handbook provides a complete overview of the TELETASK products. All technical characteristics can be consulted in this document. For the configuration of the TELETASK installation, we refer you to the TELETASK “TECHNICAL HANDBOOK”. This last one is a complete guide to the PROSOFT-Suite configuration do’s and don’ts. It also contains tips and information about integrated third party products and their settings when needed or applicable.

## **TELETASK, a full integrated home automation system**

In the TELETASK domotics (= home automation) system, the relation between inputs and outputs will be defined in the central unit. This central unit is the heart of the system and is a far more powerful and reliable solution than working with a decentralised approach which has by definition a more complex configuration and a larger chance that information gets lost.

In large installations you will learn that a multi-central unit approach will offer you simplicity, highest reliability and distributed intelligence, without the need of a complex master-slave setup like necessary in traditional distributed intelligence systems. With a TELETASK system there is no central unit behaving like a master, so there are no such slaves either. In case of a failure, this guarantees no loss of functionalities except for the defect part itself. In a decentralised setup where a master can fail, the whole system may go down or at least lose a number of features which also affect non-defective parts of the system.

The TELETASK solution also ensures that almost all intelligence is in the central unit, as such the installation can always and easily be kept up-to-date in the long term. A software or hardware update of the central unit is sufficient to give the installation a completely new update, as happened, for example, in 2023 with the switch from G2 to G3 hardware and software. All interfaces in the house remain the same but get a lot of extra possibilities by just replacing the central unit. This is also ecologically the least stressful solution and usually even an important energy consumption reduction by using the latest ultra-low power electronics. This was also the case with the switch from G1 to G2, which was a very simple switch from a non-internet world to an IP and cloud-linked future. We all know the two worlds past and future. The one before the internet and this one after. For each existing TELETASK installation, only a limited intervention and cost was required.

What the future will bring is unknown, but your TELETASK installation is ready for it!

With a TELETASK domotics system, the central unit is extremely fast and powerful and is the most important component. All input- and output related interfaces communicate with it. These are connected via a two-wire high-speed data cable (+ two wires for 12V power supply) which we call the 'AUTOBUS' cable. In traditional installations this would require a whole bunch of cables.

Due to the digitized input-to-output relations, the system becomes simple. At the same time, it generates an almost unlimited flexibility, because they are not hardwired as in a traditional solution, but integrated by the powerful and flexible TELETASK software relations. These relations are defined by the configuration in the TELETASK PROSOFT Suite. PROSOFT is free of charge and can be downloaded, by the system integrator, from the TELETASK website.

The relationships are configured in the TELETASK PROSOFT suite. PROSOFT is offered free of charge with any TELETASK system and the latest version can always be downloaded from the TELETASK website. The relationships are therefore always easy to change without hardware interventions. This can be done locally, by the system integrator, at the customer’s site or remotely via a highly secured cloud connection.

## **Central units comparison**

The limits in the chart below are individual per type of central unit. When multiple central units are connected to each other (DoIP concept) you can add up the limits below by the number of used central units. For example, 10 PALAS central units linked together can support up to  $10 \times 500 = 5000$  outputs! (500 per central unit maximum)

	PALAS / NANOS	DOMUS / PICOS	DOMUS/PICOS with extension license
Reference	TDS10300/TDS10200	TDS10309/TDS10009	TDS10309/TDS10009 + TDS15009
PROSOFT Suite	V4.0 or higher	V4.0 or higher	V4.0 or higher
Max. number of AUTOBUSES	4*	1	1
Max. number of linked DoIP central units	10	10	10
Relays (internal)	-	16	16 + 8
Dimmers (internal)	-	4	4 + 4
Motors (internal)	-	0 **	0 **
Digital inputs (internal)	-	20	20
TELETASK sensor inputs (internal)	-	2	2
Max. number of 'Input' + 'Output' interfaces on AUTOBUS***	124 (4 x 31)	31****	31****
Max. number of total inputs (internal + extensions on AUTOBUS)	500	500	500
Max. number of total outputs (internal + extensions on AUTOBUS)	500	24 relay outputs 12 dimmer outputs 8 motor outputs	40 relay outputs 16 dimmer outputs 12 motor outputs

- \* The PALAS/NANOS has two AUTOBUS connections (extendable to 4 using the TDS10202 extension interface)
- \*\* The internal relay outputs can also be used as motor controls (curtains, shades, ...) (two relays to be used per motor).
- \*\*\* Each AUTOBUS has a physical capacity of up to 31 interfaces.
- \*\*\*\* See datasheet of the DOMUS/PICOS for more details

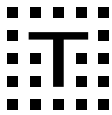
### Software defined limits (per central unit)

- 500 rooms (per installation)
- 500 Local Moods
- 50 General Moods
- 50 Timed Local Moods
- 500 Sensor Zones
- 50 Audio Zones (the limit depends on the audio system).
- 250 Transparent Functions
- 250 Timed or Motion Detector Functions
- 250 Fan Functions
- 250 Process Functions
- 500 Clock Actions
- 500 Flags
- 500 If-Then-Else Functions
- 5000 Messages and/or Alarms
- 500 Conditions
- 500 Chip Cards and/or Proximity Tags
- Fan Function: max. 7200 sec.
- Timed Function: max. 7200 sec.
- Motor Function: max. 7200 sec.
- Timed Local Mood: max. 7200 sec. per step
- Motion Detector: max. 7200 sec.



## **B. DoIP Central Units**





**TDS10200**

**NANOS central unit [EOL]**



DIN-rail compatible central unit equipped with 2 AUTOBUS connections. Configuration and communication via USB and Ethernet (LAN/WAN) connection with PROSOFT Suite. 2 x 31 (=62) AUTOBUS interfaces can be connected or 4 x 31 (=124) in combination with the TDS10202 AUTOBUS extension interface. Up to 10 NANOS central units on LAN can behave as one large integrated system with up to 1240 interfaces. See technical handbook for remarks. Download the latest version of PROSOFT Suite on [www.teletask.be](http://www.teletask.be)

**APPLICATION**

Home and building automation solutions with a maximum capacity of 1500 inputs and outputs (x10 over LAN).

**CHARACTERISTICS**

**Outputs\***

Maximum capacity: 500 outputs (the total number of relays outputs + dimmer outputs + motor outputs together is 500).

**Inputs\***

Equipped with:  
1 USB connection  
1 Ethernet connection  
2 AUTOBUS connections (extendable to 4 using the optional TDS10202 AUTOBUS extension interface).  
Each AUTOBUS has a capacity of up to 31 interfaces (one physical interface may occupy more than one address).  
AUTOBUS length: max.1000m (about 150m without optional power supply, depending on the number and type of connected interfaces).

**System Limits\***

- 500 Local Moods
- 50 General Moods
- 500 Rooms
- 50 Timed Local Moods
- 500 Sensor Zones
- 50 Audio Zones (depends on the connected audio system, see datasheet of TDS15240)
- 250 Transparent Functions
- 250 Timed or Motion Detector Functions
- 250 Fan Functions
- 250 Process Functions
- 500 Clock Actions
- 500 Flags
- 500 If-Then-Else Functions
- 500 Messages and/or Alarms
- 500 Conditions
- 500 Chip Cards and/or Proximity Tags

**Timer Limits\***

- Fan Function: max. 7200 sec.
- Timed Function: max. 7200 sec.
- Motor Function: max. 7200 sec.
- Timed Local Mood: max. 7200 sec. per step
- Motion Detector: max. 7200 sec.

**Power Supply**

2 x 12VDC input (one for each AUTOBUS)  
Use TDS10132 or TDS10134 (AUTOBUS 1 and 2 are galvanically isolated if every AUTOBUS has its own isolated power supply).

**SETTINGS**

**Programming**

With PROSOFT Suite 3.1 or higher

**AUTOBUS terminating resistor**

Integrated on the unit

**Restart**

Restarts the central unit

**SW1**

Sends IP address of the central unit to the PC (over Ethernet)

**SW2**

Push in SW2 for 10 second. Herewith the Ethernet settings of the DOIP central unit are brought back to DHCP (or 192.168.0.200).

Also sends IP address of the central unit to the PC (over Ethernet)

**Reset to factory settings**

'SW1'+ 'SW2' long (10s): restart central unit to factory settings

**INSTALLATION**

**DIN-rail mounting**

9 modules wide.  
Standard DIN-rail mounted. Eye level is recommended

**Supply voltage**

12V supplied by the AUTOBUS (minimum 9V).

**CONNECTIONS**

**AUTOBUS 1**

Plug-in screw terminal (including shielding)

**AUTOBUS 2**

Plug-in screw terminal (including shielding)

**AUTOBUS extension interface**

Special connection to an optional TDS10202 AUTOBUS extension interface (becomes 4 x AUTOBUS).

**USB**

USB B connection for direct communication with the PC

**Ethernet**

Connection to the LAN network using a RJ45/CAT5 patch cable

**Power Supply**

Plug-in screw terminal

**Earth connection**

Always connect this central earth connection to the earth connection of your electrical installation.

**POWER CONSUMPTION**

**AUTOBUS**

Consumption is depending of the interfaces connected to the busses (consumption without interfaces: 140mA on the first AUTOBUS; 25mA on the second AUTOBUS).

**DIMENSIONS**

160 W x 60 H x 78,5 D (mm)

**NET | GROSS WEIGHT**

0,240 kg | 0,370 kg

**PACKAGING CONTENT**

TDS10200 Central unit

**STORAGE**

**Temperature**  
-20°C to +65°C

**Relative humidity**

15% to 85%

**IP PROTECTION RATE**

IP20

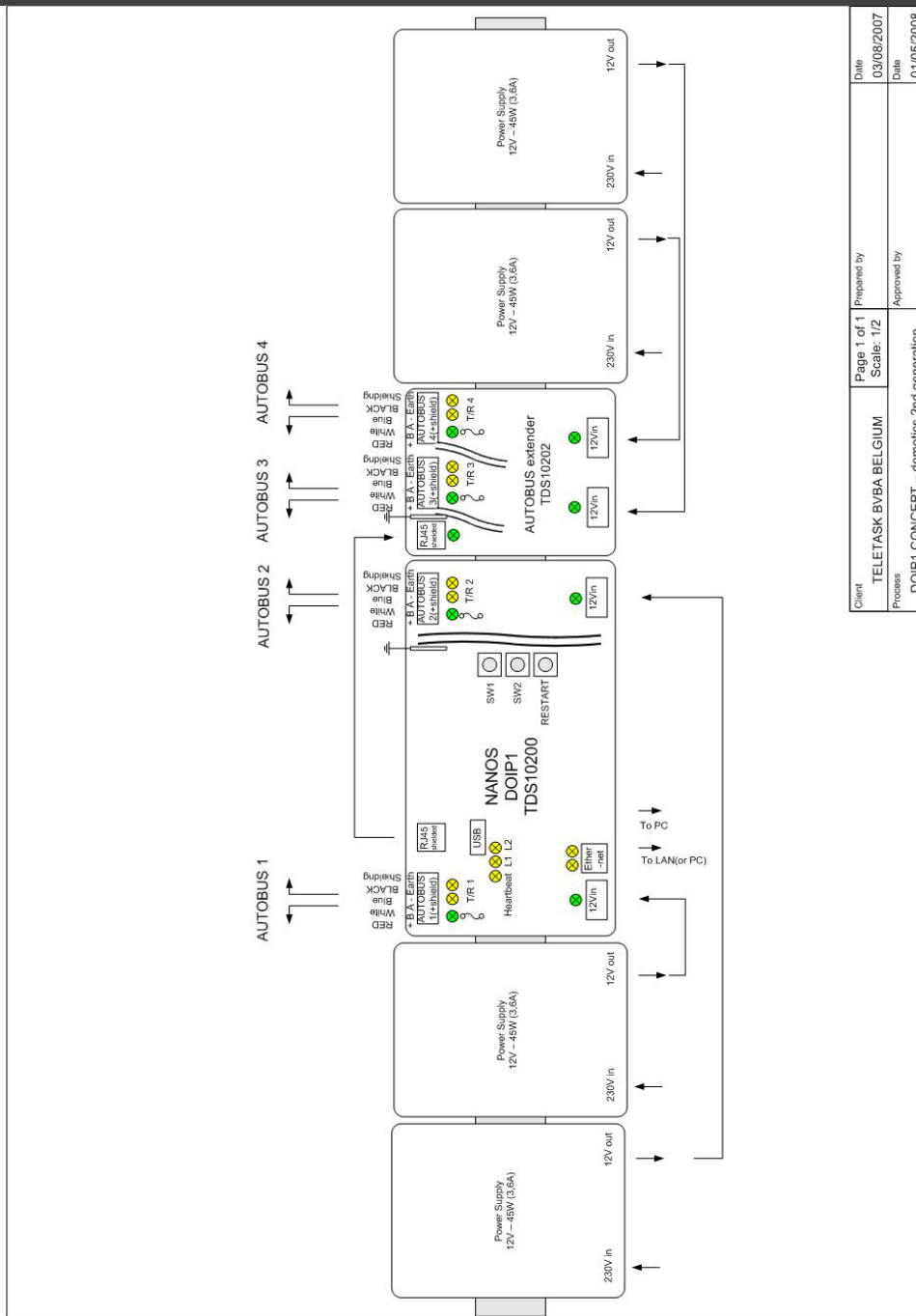
**OPERATING RANGE**

**Temperature**  
0°C to +50°C max.

**Relative humidity**

5% to 80% at 25°C (non-condensing ambient)

**SCHEMATIC DRAWING**



Client	TELETASK BY/BA BELGIUM	Page 1 of 1	Date	03/08/2007
Process	DOIP1 CONCEPT – domotics 2nd generation	Scale: 1/2	Prepared by	
			Approved by	07/05/2008

**TDS10009 (and optional TDS15009) PICOS DoIP central unit [EOL]**



PICOS is a DIN-rail central unit for entry-level, full featured, integration applications. Independent if they are directly connected or via AUTOBUS, PICOS integrates all connected items to behave as one smart system.

Typical applications are smart apartments, homes, hotel rooms... In large projects, PICOS can be the default solution provided by the project developer, but if desired by the buyer, he can always extend the system in a modular way.

The unit has AUTOBUS and Ethernet connection, 20 inputs for voltage free contacts, 2 analog TDS sensor inputs, 16 relay contact outputs 10A/265V and 4 power dimmer control outputs (0-10V). Power supply (12V) is external (TDS10132/TDS10134).

A limited number of input/output interfaces can be connected on AUTOBUS (see below).

**APPLICATION**

Central unit for low entry DoIP integrated solutions. Can be integrated with other DoIP central units (up to 10).

**CHARACTERISTICS**

**Inputs**

- 20 x digital input for voltage free contacts (cable length: max. 50m, min. 0,22 mm<sup>2</sup>, max. 1kΩ)
- 2 x analog TDS sensor input (temperature, light or humidity)

**Outputs**

- 16 x pluggable internal relay 10A/265VAC (80Amp inrush - 20ms)
- 4 x dimmer control output 0-10V (output impedance 500Ω)

**General connections**

- 1x RJ45 Ethernet connection
- 1x 12V Power supply (from TDS10132 or TDS10134)
- 1x AUTOBUS connection (none extendable). Max.1000m (optional power supply may apply).

**Maximum capacity\***

OUTPUTS on basic PICOS TDS10009: max. total 44

Type	PICOS	Extension on AUTOBUS**	Total
Relays	16	8 (1x TDS13510 or TDS13512 or TDS13611)	24
Dimmers	4	8 (1x TDS13611 or TDS13610 or TDS13621***)	12
Motors	0****	8 (2x TDS13525 or TDS13526)	8

OUTPUTS with PICOS+ license TDS15009: max. total 68

Type	PICOS	Extension on AUTOBUS**	Total
Relays	16	24 (3 x TDS13510 or TDS13512 or TDS13611)	40
Dimmers	4	12 (e.g. 3 x power dimmer TDS13634 or TDS13644 or TDS13611 +1 x power dimmer or 12 x DALI addresses)	16
Motors	0****	12 (3x TDS13525 or TDS13526)	12

INPUTS:

Type	PICOS	Extension on AUTOBUS**	Total
Digital inputs	20	480 (31x TDS12117, ...)	500
TELETASK sensor inputs	2	48 (31x TDS12311, TDS12310, ...)	50
Touch panels	0	31x (TDS12020, TDS12021, ...)	31

! \* A PICOS installation can be extended with 9 additional DoIP central units (up to 4540 outputs).

! \*\* The AUTOBUS has a capacity of up to 31 interfaces (one physical interface may occupy more than one address).

! \*\*\* The TDS13621 interface is limited to 8 DALI or 8 DMX output channels on the PICOS.

! \*\*\*\* The internal relay outputs of the PICOS can also be used as motor controls (curtains, shades, ...) (2 relays to be used per motor).

E.g.: 1x TDS13510 + 1x TDS13526 + 1x TDS13611 + 3x TDS12117 + 25 AURUS touch panels = 31 interfaces

**Software defined Limits**

(same as MICROS+ and NANOS)

- 500 Local Moods
- 50 General Moods
- 500 Rooms
- 50 Timed Local Moods
- 500 Sensor Zones
- 50 Audio Zones (depends on the connected audio system, see datasheet of TDS15240).
- 250 Transparent Functions
- 250 Timed or Motion Detector Functions
- 250 Fan Functions
- 250 Process Functions
- 500 Clock Actions
- 500 Flags
- 500 If-Then-Else Functions
- 5000 Messages and/or Alarms
- 500 Conditions
- 500 Chip Cards and/or Proximity Tags
- Fan Function: max. 7200 sec.
- Timed Function: max. 7200 sec.
- Motor Function: max. 7200 sec.
- Timed Local Mood: max. 7200 sec. per step
- Motion Detector: max. 7200 sec.

**SETTINGS**

**Programming**

With PROSOFT Suite 3.5 or higher

**AUTOBUS terminating resistor**

Integrated on the unit

**SW1**

Sends IP address of the central unit to the PC (over Ethernet).

**SW2**

Push in SW2 for 10 second. Herewith the Ethernet settings of the DOIP central unit are brought back to DHCP (or 192.168.0.200).

Also sends IP address of the central unit to the PC (over Ethernet)

### Reset to factory settings

'SW1'+ 'SW2' long (10s): restart central unit to factory settings

## INSTALLATION

### DIN-rail mounting

13 modules wide.

### wall mounting

3 screws Ø 4,5; not included)

### Important installation remarks

- ! The PICOS must be placed inside an electrical cabinet to avoid the risk of an electrical shock.
- ! Follow the safety standards from the local authorities to be compliant with all regulations.

## CONNECTIONS

### Inputs

Contact inputs: plug-in screw terminal 2,5mm<sup>2</sup> (AWG 14)  
Analog sensor inputs: plug-in screw terminal 2,5mm<sup>2</sup> (AWG 14)

### Outputs

Relay outputs: plug-in screw terminal 2,5mm<sup>2</sup> (AWG 14)  
Analog outputs (to power dimmers): plug-in screw terminal 2,5mm<sup>2</sup> (AWG 14)

### Common

Common: plug-in screw terminal 2,5mm<sup>2</sup> (AWG 14)

### AUTOBUS

AUTOBUS: plug-in screw terminal (4 wires)

### Ethernet

Connection to LAN network: RJ45/CAT5 patch cable

### Power supply

12V power supply input: plug-in screw terminal (2 wires).

- ! Use 1 to 2,5mm<sup>2</sup> wires up to max. 1 meter from power supply TDS10132/TDS10134.

## POWER CONSUMPTION

(Max. 150 mA all relays OFF)  
Max. 550 mA all relays ON

## DIMENSIONS

234 W x 119 H x 60 D (mm)

## NET | GROSS WEIGHT

± 0,720 kg | ± 0,850 kg

## PACKAGING CONTENT

TDS10009 central unit

## STORAGE

### Temperature

-20°C to +65°C

### Relative humidity

15% to 85%

## IP PROTECTION RATE

IP20

## OPERATING RANGE

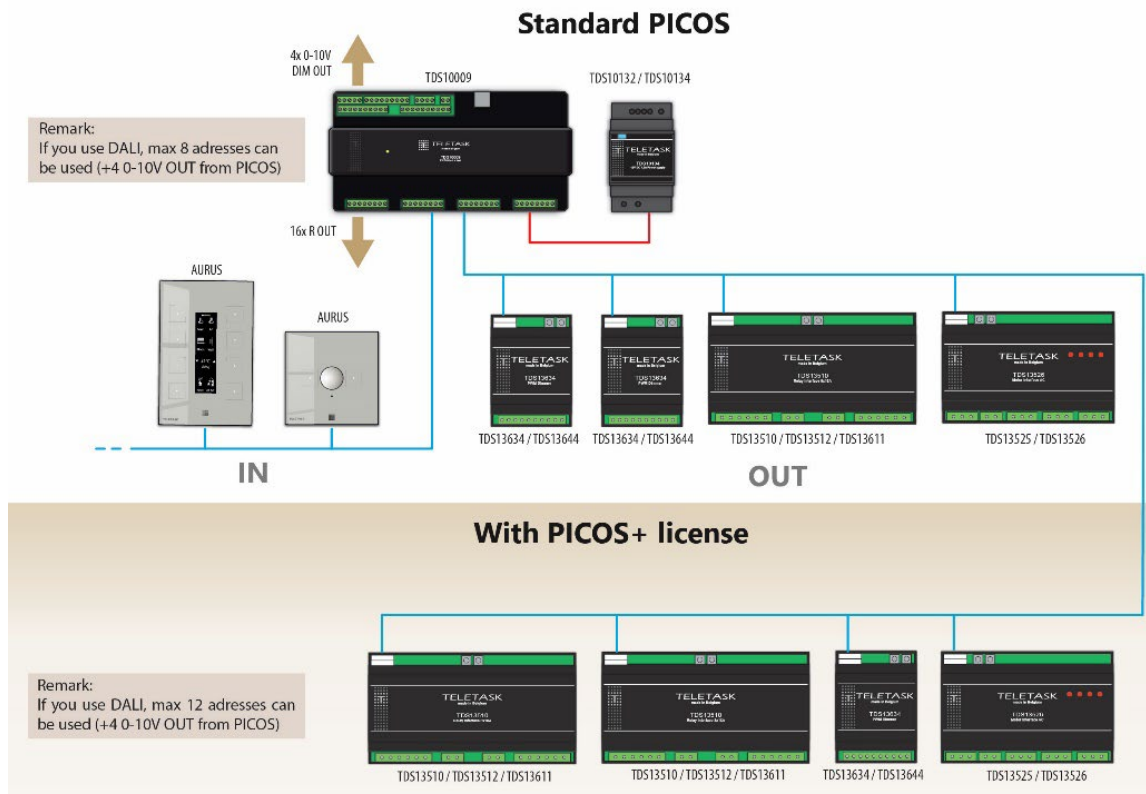
### Temperature

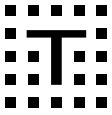
0°C to +50°C max.

### Relative humidity

5% to 80% at 25°C (non-condensing ambient)

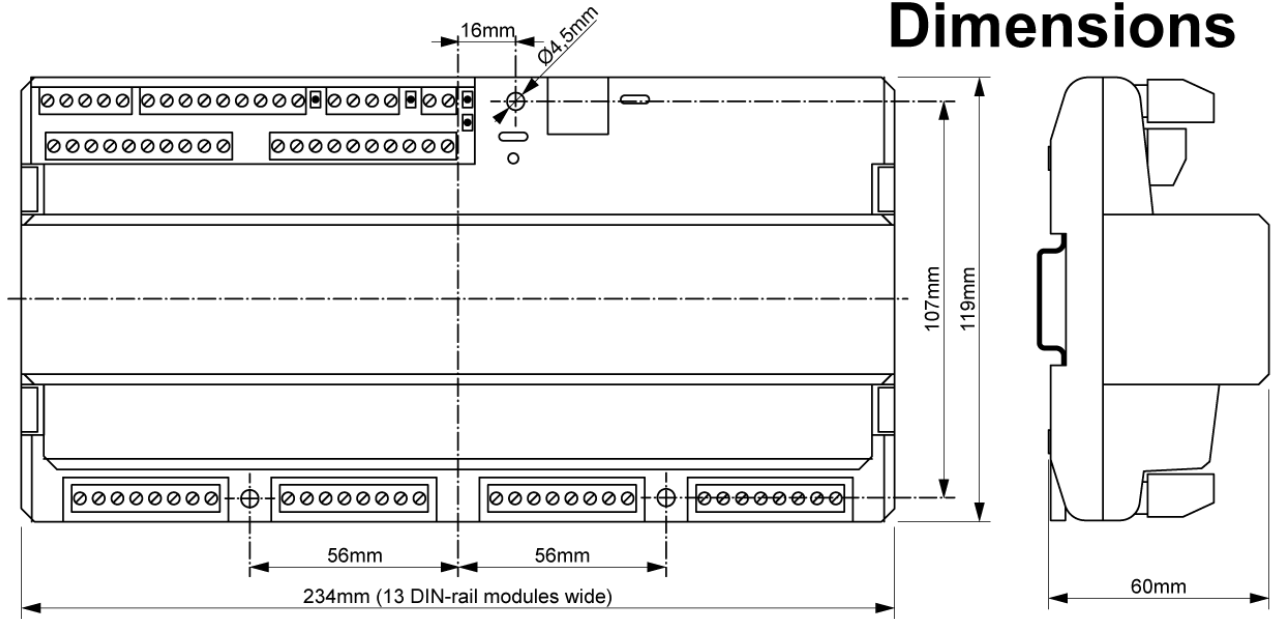
## POSSIBILITIES WITH PICOS+ LICENSE



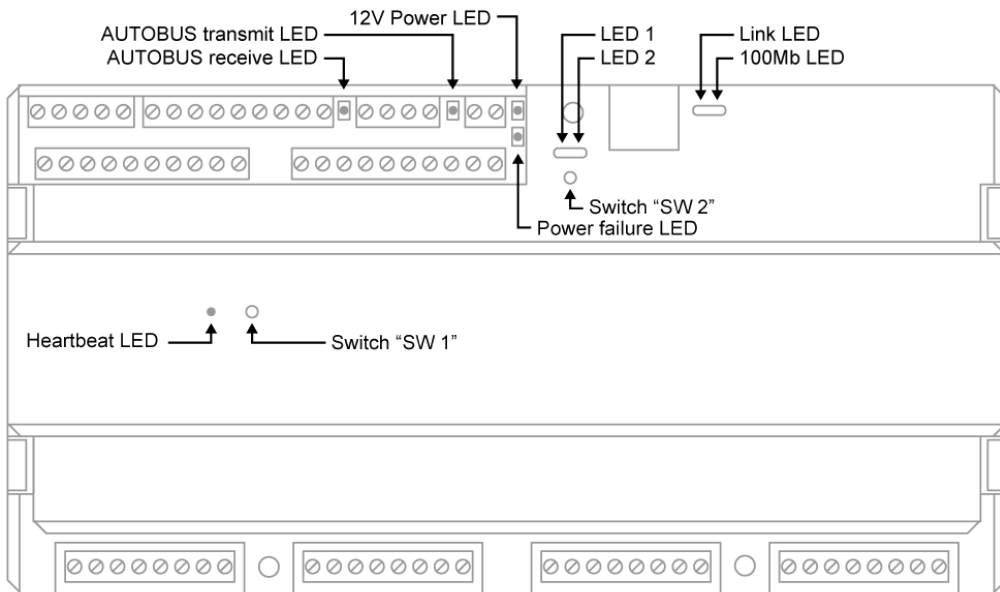


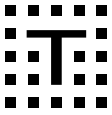
**SCHEMATIC DRAWING**

**Dimensions**

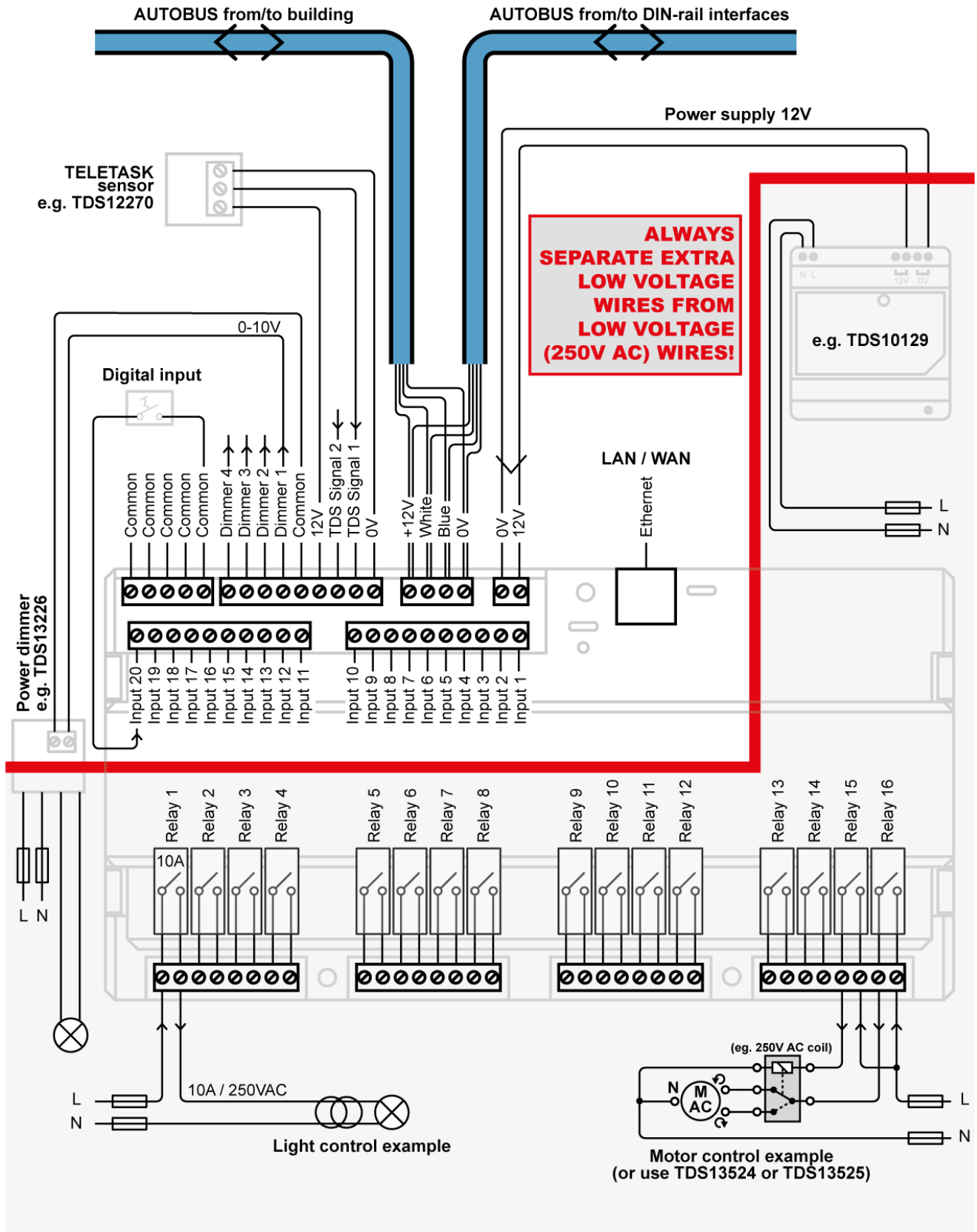


**Switches + LED's**





# Connections



### TDS10300



DIN-rail compatible central unit of the latest generation (G3). Equipped with 2 AUTOBUS connections (can be extended to four). Configuration via (free of charge) PROSOFT. By default, up to 62 AUTOBUS interfaces can be connected. In combination with the TDS10202 extension interface, this can be extended up to 124 interfaces. Up to 10 PALAS (or other G3) central units on LAN can behave as one large integrated system with up to 1240 interfaces (= thousands of I/O's). See more details and remarks in the on-line technical handbook and download the latest version of the G3 compatible PROSOFT Suite (4.0 or higher) from [professional.teletask.be](http://professional.teletask.be)

### PALAS Central Unit (G3)

#### APPLICATION

For use in integrated Home and Building automation installations with a higher number of inputs/outputs/interfaces. Typical for large residential and professional projects.

#### CHARACTERISTICS

##### General

Latest generation hardware and software (G3 'Generation Three'). Overall improved characteristics compared to the previous generation. Fully compatible with most existing user interfaces and technical interfaces. Equipped with state-of-the-art high speed, ultra low power, dual core CPU. System backup with SuperCap/nvRAM (no batteries or SD-card used). Gigabit ethernet LAN connection; downward compatible also with 100Mb networks

##### Outputs

Maximum capacity: 500 outputs (the total number of relays outputs + dimmer outputs + motor outputs together is 500/central unit; max. 10 central units in one integrated network with one .nbt file (= up to 5000 outputs).

##### Inputs

Two AUTOBUS connections (extendable to 4 using the optional TDS10202 AUTOBUS extension interface). Each AUTOBUS has a capacity of up to 31 interfaces. AUTOBUS length: 2(4)x up to 1000m (about 150m without optional power supply, depending on the number and type of connected interfaces).

##### System Limits

- 500 Local Moods
- 50 General Moods
- 500 Rooms
- 50 Timed Local Moods
- 500 Sensor Zones
- 50 Audio Zones (depends on the connected audio system, see datasheet of TDS15240)
- 250 Transparent Functions
- 250 Timed or Motion Detector Functions
- 250 Fan Functions
- 250 Process Functions
- 500 Clock Actions
- 500 Flags
- 500 If-Then-Else Functions
- 500 Messages and/or Alarms
- 500 Conditions
- 500 Chip Cards and/or Proximity Tags

##### Timer Limits\*

- Fan Function: max. 7200 sec.
- Timed Function: max. 7200 sec.
- Motor Function: max. 7200 sec.
- Timed Local Mood: max. 7200 sec. per step
- Motion Detector: max. 7200 sec.
- ...

##### Power Supply

- Two 12VDC inputs (one for each AUTOBUS)
- Use TDS10132 or TDS10134 (AUTOBUS 1 and 2 are galvanically isolated if every AUTOBUS has its own isolated power supply).

##### Not supported (very old) interfaces

- TDS12110 SERVUS Colour touch screen
- TDS12061 ILLUS Mono/colour touch screen
- TDS12015 LATUS LCD touch panel
- TDS12016 LCD touch panel 5 buttons
- TDS12017 VFD touch panel (BTicino compatible)
- TDS12145 chipcard reader
- TDS12304 (end of life) 4-channel analogue input interface
- TDS12308 (end of life) 8-channel analogue input interface
- TDS13603 DMX interface
- TDS14000 TELETOUCH telephone interface
- TDS14010 Audio access audio interface
- TDS14016 Multi-Audio access audio interface
- TDS14020/21 Galaxy alarm serial interface
- TDS14030 B&O interface
- TDS14035/36 Bose serial interface
- TDS14040 RC5 code audio generator
- TDS14041 IR learnable interface
- TDS14042 universal RS232 + IR-interface
- TDS14045 Xantech audio interface
- TDS14050 TV-interface
- TDS14060 AIRZONE interface
- TDS15100 GUI license

#### SETTINGS

##### Programming

With PROSOFT Suite 4.0 or higher

##### AUTOBUS terminating resistor

Integrated in the unit (no action needed)

##### SW1

If SW1 is pushed for 10 seconds, the Ethernet settings of the DoIP central unit are brought back to DHCP.

##### SW2

Sends IP address of the central unit to the PC (over Ethernet)

### Reset to factory settings

Push 'SW1'+ 'SW2' long (10s) on power up: restart central unit to factory settings

### Erase .nbt file

Push 'SW1' + 'SW2' long (10s). At an active working central unit the .nbt file will be deleted from the central unit.

## INSTALLATION

### DIN-rail mounting

6 modules wide (108mm).  
Standard DIN-rail mounting. At eye level is recommended.

### Supply Voltage

12V supplied by the connected 12V power supply/supplies.

### Important installation remarks

- ! Do not mix G3 central units with G1 or G2 centrale units.  
e.g. TDS10300 with TDS10309 = OK  
e.g. TDS10300 with TDS10009 = NOT OK!
- ! Must be placed inside an electrical cabinet to avoid the risk of an electrical shock.
- ! Follow the safety standards from the local authorities to be compliant with all regulations.

## CONNECTIONS

### AUTOBUS 1

Plug-in screw terminal; 4 wires - AUTOBUS cable

### AUTOBUS 2

Plug-in screw terminal; 4 wires - AUTOBUS cable

### AUTOBUS extension interface

Special extension connector is provided to one optional TDS10202 AUTOBUS extension interface (becomes 4 x AUTOBUS; interconnection cable provided with TDS10202).

### Ethernet

Gigabit (1000 Mbit) connection to the LAN network using an RJ45/CAT5e patch cable. Downward compatible with 100Mbit networks.

### Power Supply

Plug-in screw terminal; 2 wires +12V and 0V.

## POWER CONSUMPTION

### AUTOBUS

Internal consumption is 100-160mA on the first power supply input (excluding external AUTOBUS loads). And additional 20-40mA on the second power supply input (also consumption without connected interfaces).

## DIMENSIONS

108 W x 90 H x 60 D (mm)

## NET | GROSS WEIGHT

0,170 kg | 0,210 kg

## PACKAGING CONTENT:

TDS10300 PALAS central unit  
Four terminating jumpers (to be used to terminate at the far-end AUTOBUS interfaces)  
Booklet with technical data

## ENVIRONMENTAL CONDITIONS

### Storage (non-condensing or icing)

Temperature: -20°C to +65°C max.  
Relative humidity: 5% to 85% max.

### Operation (non-condensing or icing)

Temperature: 0°C to +50°C max.  
Relative humidity: 5% to 80% max.

## IP PROTECTION RATE

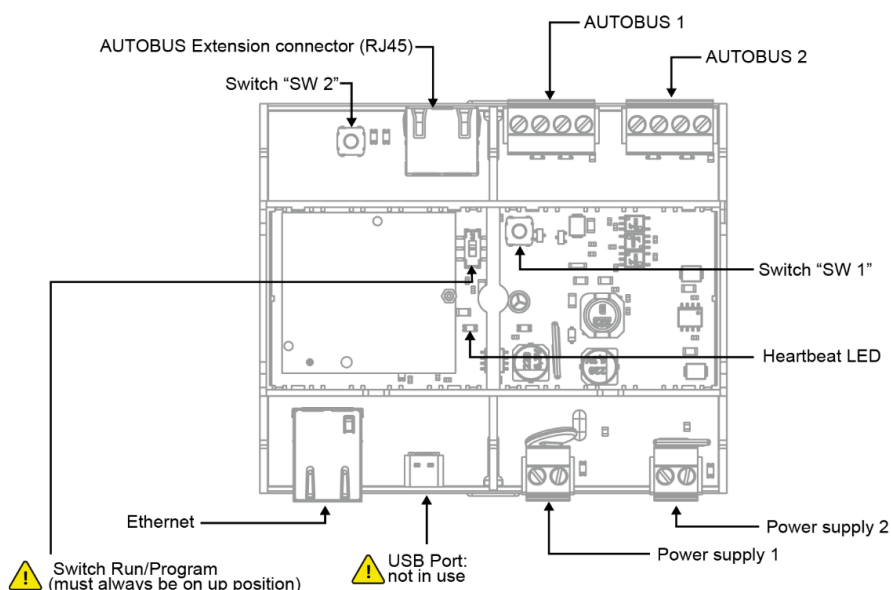
IP20

## LIMITED WARRANTY

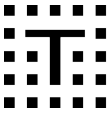
4 years

## SCHEMATIC DRAWING

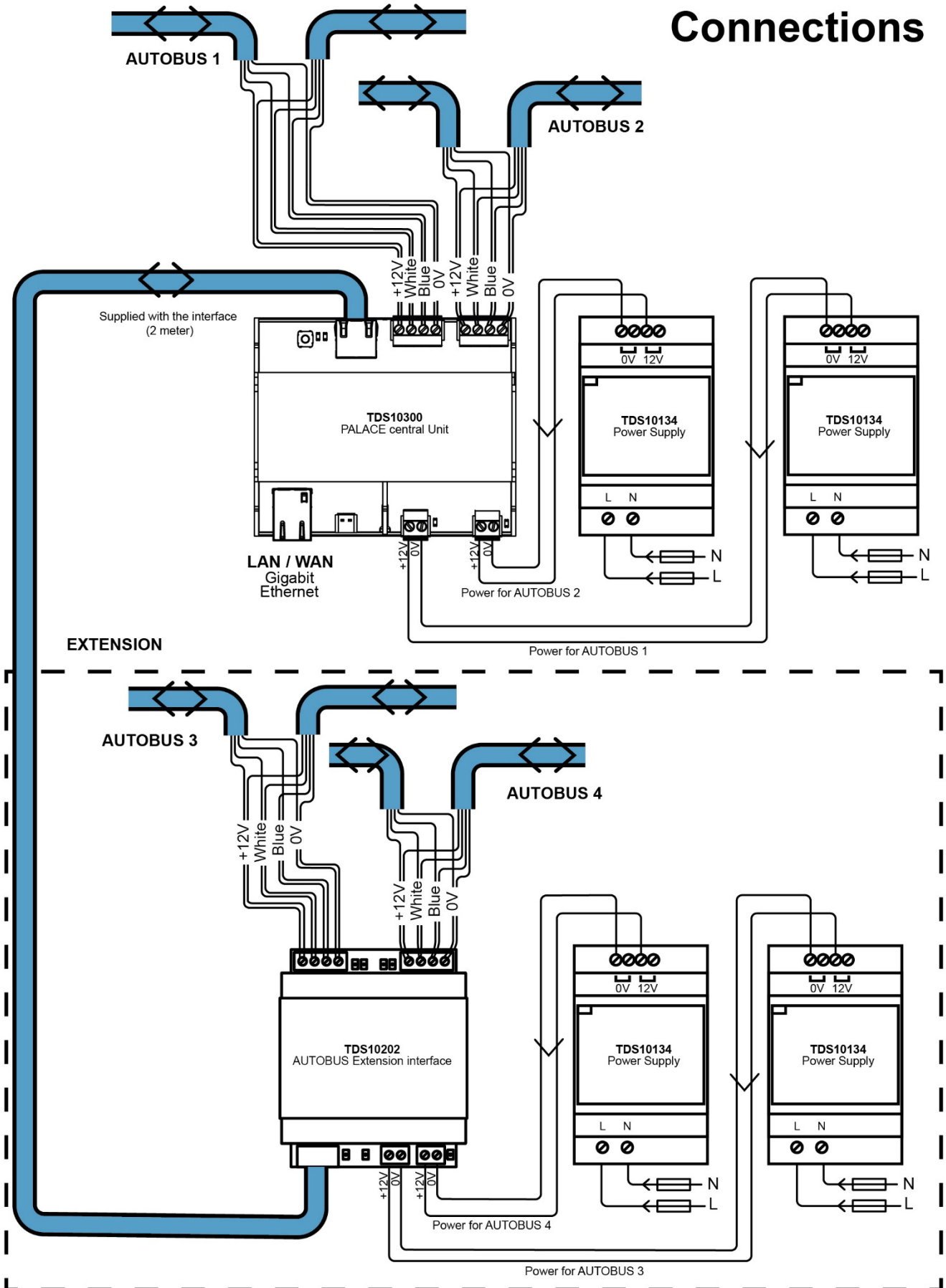
# Connectors, switches and LED's







# Connections



### TDS10309



DOMUS is a DIN-rail central unit of the third generation (G3) for limited nr of input/output, but with full featured integration capabilities. DOMUS integrates all connected items to behave as one smart system. Typical applications are smart apartments, small to medium size residences/houses, hotel rooms... In multi apartment projects, DOMUS can be the default solution provided by the project developer, but if desired by the buyer, he can extend the system in a modular way. The unit has AUTOBUS and Ethernet connection 1Gbit, 20 Voltage free contact inputs, 2 analogue TDS sensor inputs, 16 relay contact outputs 10A/265V and 4 power dimmer control outputs 0-10V. Power supply 12V connection for external power supply (TDS10132 or TDS10134).

A limited number of input/output interfaces can be connected on AUTOBUS (see below). With the optional DOMUS extension license TDS15009 the output capacity can be extended.

### DOMUS Central Unit (G3)

#### APPLICATION

Central unit for full featured low/medium capacity DoIP integrated installations. Can be integrated with other DoIP G3 central units (up to 10 in total in one network).

#### CHARACTERISTICS

##### General

Latest generation hardware and software (G3 'Generation Three'). Overall improved characteristics compared to the previous central units. Compatible with most existing user- and technical interfaces.

Equipped with high speed, ultra low power, 32 Bit dual core CPU with built-in coprocessor.

System backup with SuperCap/nvRAM (no batteries and no SD- card needed).

##### Inputs

- 20 x digital input for voltage free contacts (cable length: max. 50m, min. 0,22 mm<sup>2</sup>, max. 1kΩ)
- 2 x analogue TDS sensor input (T°, light or humidity)

##### Outputs

- 16 x plug-in relays 10A/265VAC(60A inrush - 20ms)
- 4 x dimmer control output 0-10V (output impedance minimum 500Ω)

##### General connections

- 1 x RJ45 Ethernet 1Gb – 100Mb compatible
- 1 x 12V Power supply (from TDS10132 or TDS10134)
- 1 x AUTOBUS connexion (none extendable). Max.1000m (optional power supply may apply).

##### Maximum capacity\*

OUTPUTS on basic DOMUS TDS10309: max. total 44

Type	DOMUS	Extension on AUTOBUS**	Total
Relays	16	8 (1 x TDS13510 or TDS13512 or TDS13611)	24
Dimmers	4	8 (1 x TDS13611 or TDS13610 or TDS13621***)	12
Motors	0****	8 (2 x TDS13526)	8

OUTPUTS with DOMUS+ license TDS15009: max. total 68

Type	DOMUS	Extension on AUTOBUS**	Total
Relays	16	24 (3 x TDS13510 or TDS13512 or TDS13611)	40
Dimmers	4	12 (e.g. 3 x power dimmer TDS13634 or TDS13644 or TDS13611 +1 x power dimmer or 12 x DALI addresses)	16

Motors	0****	12 (3 x TDS13526)	12
--------	-------	-------------------	----

##### INPUTS:

Type	DOMUS	Extension on AUTOBUS**	Total
Digital inputs	20	480 (3 1x TDS12117, ...)	500
TELETASK sensor inputs	2	48 (31 x TDS12311, TDS12310, ...)	50
Touch panels	0	31 x (TDS12020, TDS12021, ...)	31

! \* A DOMUS installation can be extended with 9 additional G3 DoIP central units (up to 4568 outputs).

! \*\* The AUTOBUS has a capacity of up to 31 interfaces.

! \*\*\* The TDS13621 interface is limited to 8 DALI or 8 DMX output channels on the DOMUS.

! \*\*\*\* The internal relay outputs of the DOMUS can also be used for motor control (curtains, shades, ...) (in such case two relays to be used per motor).

E.g.: 1 x TDS13510 + 1 x TDS13526 + 1 x TDS13611 + 3 x TDS12117 + 25 AURUS touch panels = 31 interfaces

##### Software defined Limits

- 500 Local Moods
- 50 General Moods
- 500 Rooms
- 50 Timed Local Moods
- 500 Sensor Zones
- 50 Audio Zones (depends on the connected audio system, see datasheet of TDS15240).
- 250 Transparent Functions
- 250 Timed or Motion Detector Functions
- 250 Fan Functions
- 250 Process Functions
- 500 Clock Actions
- 500 Flags
- 500 If-Then-Else Functions
- 5000 Messages and/or Alarms
- 500 Conditions
- 500 Chip Cards and/or Proximity Tags
- Fan Function: max. 7200 sec.
- Timed Function: max. 7200 sec.
- Motor Function: max. 7200 sec.
- Timed Local Mood: max. 7200 sec. per step
- Motion Detector: max. 7200 sec

### Not supported (very old) products

- TDS12110 SERVUS Colour touch screen
- TDS12061 ILLUS Mono/colour touch screen
- TDS12015 LATUS LCD touch panel
- TDS12016 LCD touch panel 5 buttons
- TDS12017 VFD touch panel (BTicino compatible)
- TDS12145 chipcard reader
- TDS12304 (end of life) 4-channel analogue input interface
- TDS12308 (end of life) 8-channel analogue input interface
- TDS13603 DMX interface
- TDS14000 TELETOUCH telephone interface
- TDS14010 Audio access audio interface
- TDS14016 Multi-Audio access audio interface
- TDS14020/21 Galaxy alarm serial interface
- TDS14030 B&O interface
- TDS14035/36 Bose serial interface
- TDS14040 RC5 code audio generator
- TDS14041 IR learnable interface
- TDS14042 universal RS232 + IR-interface
- TDS14045 Xantech audio interface
- TDS14050 TV-interface
- TDS14060 AIRZONE interface
- TDS15100 GUI license

### SETTINGS

#### Programming

With PROSOFT Suite 4.0 or higher

#### AUTOBUS terminating resistor

Integrated in the unit (no actions needed)

#### SW1

Push SW1 for 10 seconds to reset Ethernet settings of the DOIP central unit back to DHCP.

#### SW2

Sends IP address of the central unit to the PC (over Ethernet)

#### Reset to factory settings

Push 'SW1' + 'SW2' long (10s) on power up: restart central unit to factory settings

#### Erase .nbt file

Push 'SW1' + 'SW2' long (10s). At an active working central unit the .nbt file will be deleted from the central unit.

### INSTALLATION


#### DIN-rail mounting

13 modules wide (234mm).

#### Wall mounting (optional)

3 screws Ø 4,5; not included)

#### Important installation remarks

- !  Due to the risk of electrical shocks (230V), this product must be installed by a certified electrical contractor.
- ! Do not mix G3 central units with G1 or G2 centrale units.

! Must be placed inside an electrical cabinet to avoid the risk of an electrical shock.

! Follow the safety standards from the local authorities to be compliant with all regulations.

### CONNECTIONS

#### Inputs

Contact inputs: plug-in screw terminal 2,5mm<sup>2</sup> (AWG 14)

Analog sensor inputs: plug-in screw terminal 2,5mm<sup>2</sup> (AWG 14)

#### Outputs

Relay contacts: plug-in screw terminal 2,5mm<sup>2</sup> (AWG 14)

Analog outputs (to power dimmers): plug-in screw terminal 2,5mm<sup>2</sup> (AWG 14)

#### Common

Common: plug-in screw terminals 2.5mm<sup>2</sup> (AWG 14 )

#### AUTOBUS

AUTOBUS: plug-in screw terminal (4 wires AUTOBUS cable)

#### Ethernet

Gigabit connection to the LAN network using a RJ45/CAT5e (downward compatible with 100Mbit LANs)

#### Power supply

12V power supply input: plug-in screw terminal (2 wires).

! Use 1 to 2,5mm<sup>2</sup> wires up to max. 1 meter from power supply TDS10132/TDS10134.

### POWER CONSUMPTION

Internal consumption is 120-180mA on the power supply input and max. 320mA all relays ON (excluding external AUTOBUS loads).

### DIMENSIONS

234 W x 119 H x 60 D (mm)

### NET | GROSS WEIGHT

± 0,720 kg | ± 0,880 kg

### PACKAGING CONTENT:

TDS10309 DOMUS central unit

Two terminating jumpers (to be used to terminate at the far-end AUTOBUS interfaces)

Booklet with technical data.

### ENVIRONMENTAL CONDITIONS

#### Storage (non-condensing or icing)

Temperature: -20°C to +65°C max.

Relative humidity: 5% to 85% max.

#### Operation (non-condensing or icing)

Temperature: 0°C to +50°C max.

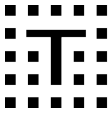
Relative humidity: 5% to 80% max.

### IP PROTECTION RATE

IP20

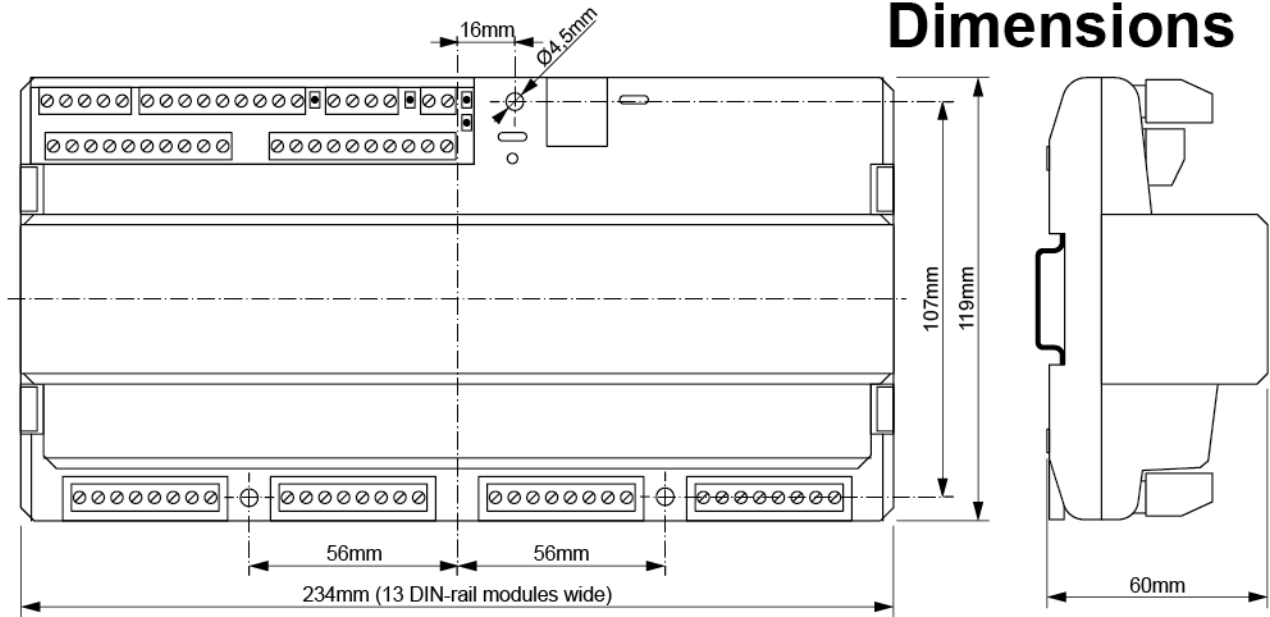
### LIMITED WARRANTY

4 years (excl. the relay contacts)

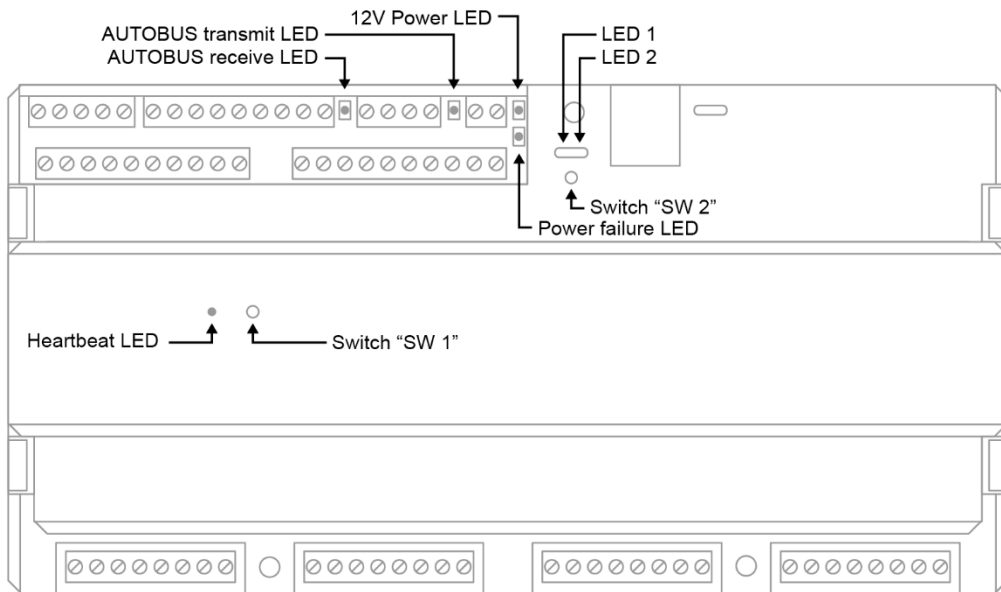


**SCHEMATIC DRAWING**

**Dimensions**

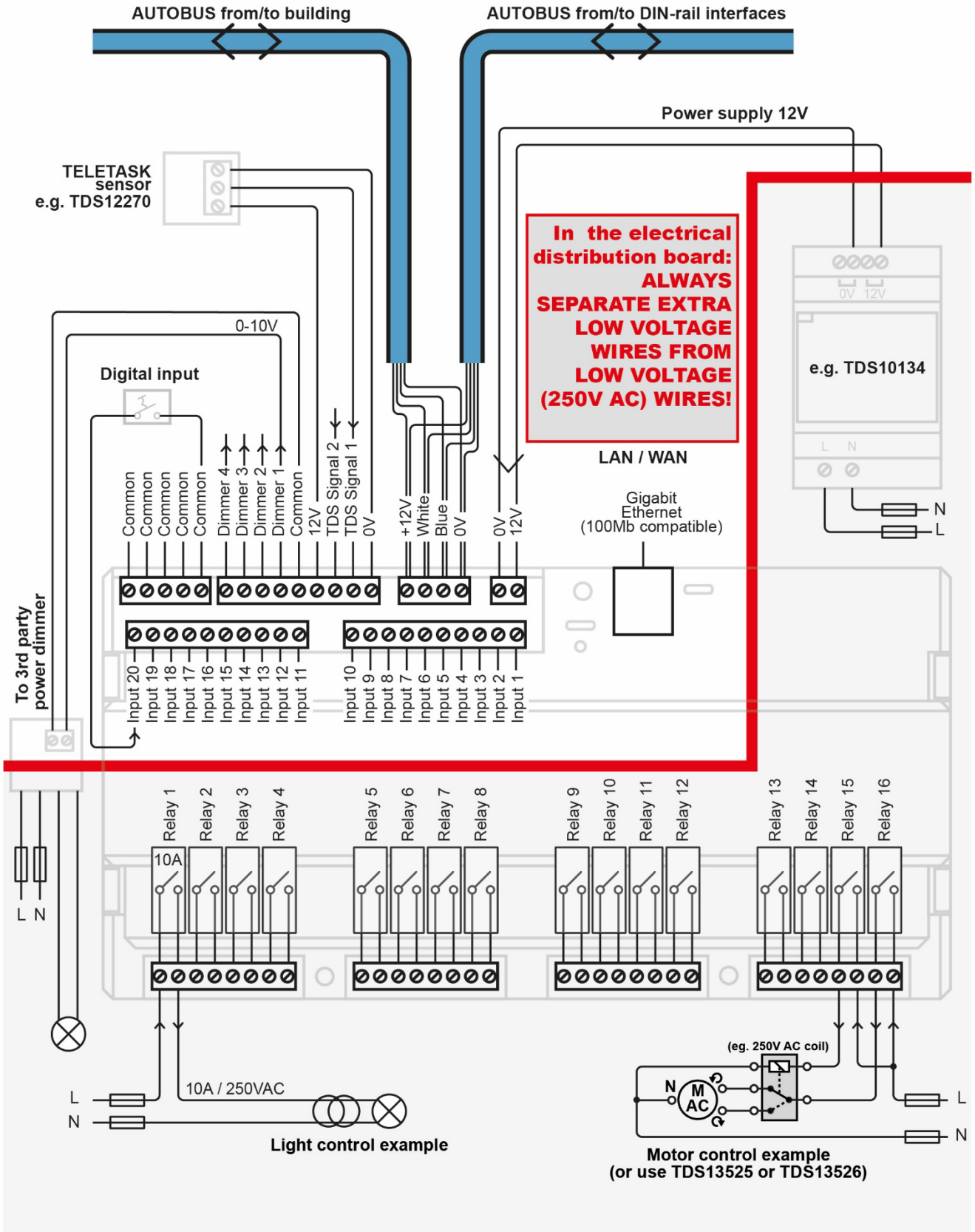


**Switches + LED's**



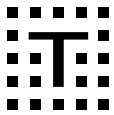


# Connections





## **C. CENTRAL UNIT ACCESSORIES**



**TDS10132**

**AUTOBUS power supply – 12V DC 2A**

Din-rail mountable 100-230VAC 50/60Hz, 12V DC 2A power supply. This unit can be used to power the TELETASK DOMUS, PALAS, NANOS or PICOS central unit or as AUTOBUS extension power supply.

**APPLICATION**

Used as power supply for PICOS or NANOS central unit and (additional) power supply on AUTOBUS (including MICROS+ installations).

**CHARACTERISTICS**

Isolation class II  
Withstand voltage: I/P-O/P = 4KVAC

**Input**

100-230VAC (min.85 - max.264 VAC)  
50/60Hz (min. 47 – max. 63Hz)  
Efficiency: 88%

**Output**

12V DC 2.0A

**LED feedback**


- Power LED

**INSTALLATION**

**DIN-rail mounting**

2 modules wide.  
Please provide 1cm clear space at both sides.

**Important installation remarks**

- !  Due to the risk of electrical shocks (230V), this product must be installed by a certified electrical contractor.
- ! Must be placed inside an electrical cabinet to avoid the risk of an electrical shock.
- ! Follow the safety standards from the local authorities to be compliant with all regulations.

**CONNECTIONS**

**Inputs**

L+N 100-230VAC. Screw terminals; max. 1,5mm<sup>2</sup> (AWG 16).

**Outputs**

Screw terminals; max. 1,5mm<sup>2</sup> (AWG 16).

**DIMENSIONS**

35 W x 90 H x 54,5 D (mm)

**NET | GROSS WEIGHT**

0,130 kg | 0,140 kg

**PACKAGING CONTENT**

TDS10132 interface

**ENVIRONMENTAL CONDITIONS**

**Storage (with no condensation or icing)**

Temperature: -20°C to +65°C max.  
Relative humidity: 5% to 85% max.

**Operation (with no condensation or icing)**

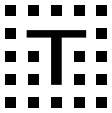
Temperature: 0°C to +50°C (see derating curve)  
Relative humidity: 5% to 80% max.

**IP PROTECTION RATE**

IP20

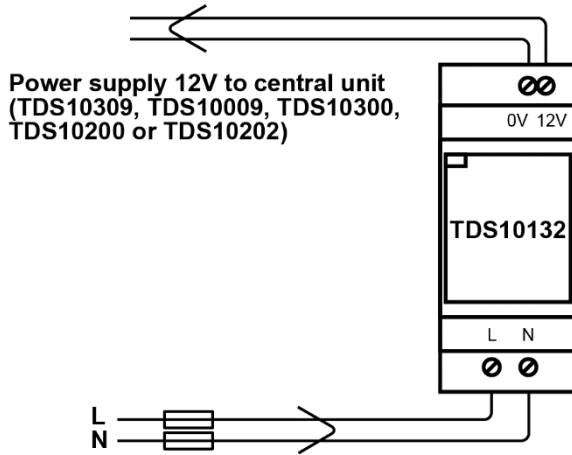
**LIMITED WARRANTY**

4 years

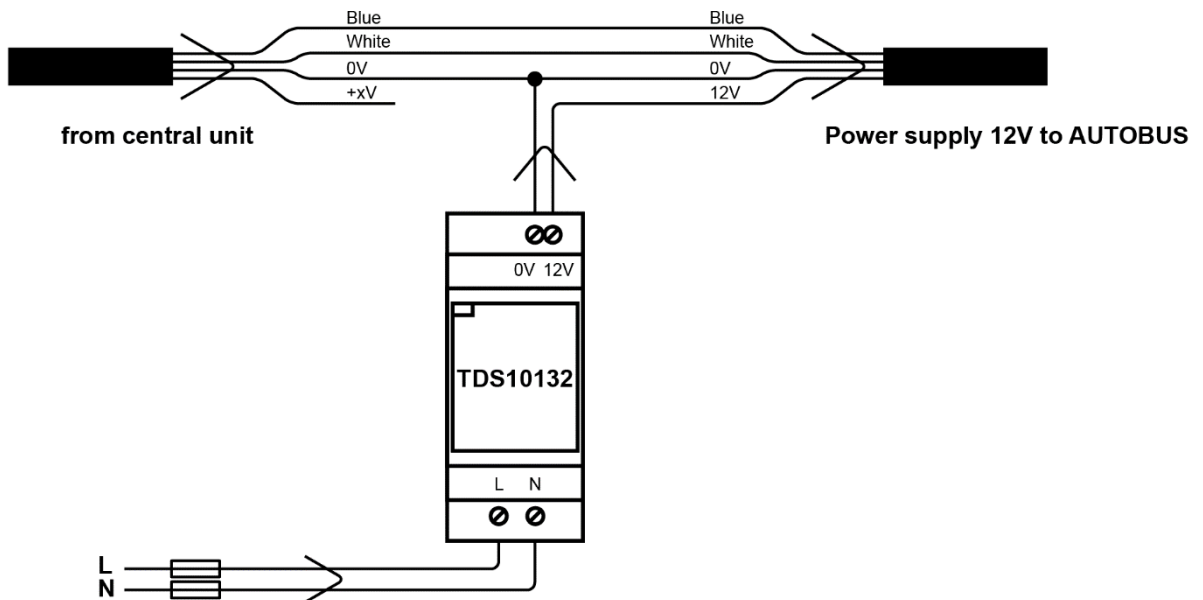


**SCHEMATIC DRAWING**

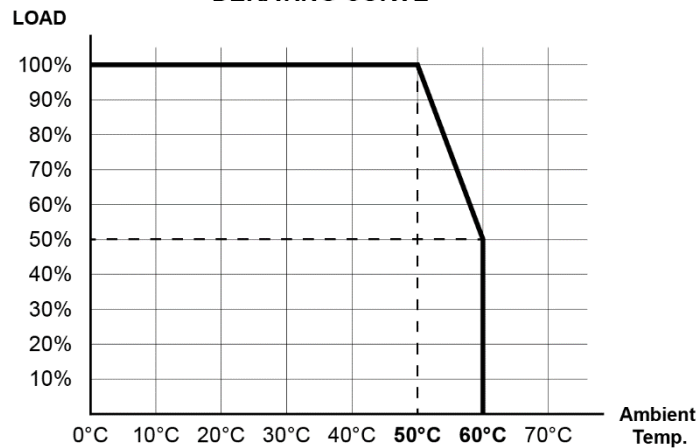
**Basic application**



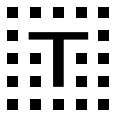
**Extension application**



**DERATING CURVE**







**TDS10134**

**AUTOBUS power supply – 12V DC 4A**

Din-rail mountable 100-230VAC 50/60Hz, 12V DC 4A power supply. This unit can be used to power the TELETASK DOMUS, PALAS, NANOS or PICOS central unit or as AUTOBUS extension power supply.

**APPLICATION**

Used as power supply for PICOS or NANOS central unit and (additional) power supply on AUTOBUS (including MICROS+ installations).

**CHARACTERISTICS**

Isolation class II  
Withstand voltage: I/P-O/P = 4KVAC

**Input**

100-230VAC (min.85 - max.264 VAC)  
50/60Hz (min. 47 – max. 63Hz)  
Efficiency: 88%

**Output**

12V DC 4.0A

**LED feedback**


- Power LED

**INSTALLATION**

**DIN-rail mounting**

3 modules wide.

**Important installation remarks**

- !  Due to the risk of electrical shocks (230V), this product must be installed by a certified electrical contractor.
- ! Must be placed inside an electrical cabinet to avoid the risk of an electrical shock.
- ! Follow the safety standards from the local authorities to be compliant with all regulations.

**CONNECTIONS**

**Inputs**

L+N 100-230VAC. Screw terminals; max. 1,5mm<sup>2</sup> (AWG 16).

**Outputs**

Screw terminals; max. 1,5mm<sup>2</sup> (AWG 16).

**DIMENSIONS**

53 W x 90 H x 54,5 D (mm)

**NET | GROSS WEIGHT**

0,190 kg | 0,205 kg

**PACKAGING CONTENT**

TDS10134 interface

**ENVIRONMENTAL CONDITIONS**

**Storage (with no condensation or icing)**

Temperature: -20°C to +65°C max.  
Relative humidity: 5% to 85% max.

**Operation (with no condensation or icing)**

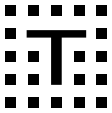
Temperature: 0°C to +50°C (see derating curve)  
Relative humidity: 5% to 80% max.

**IP PROTECTION RATE**

IP20

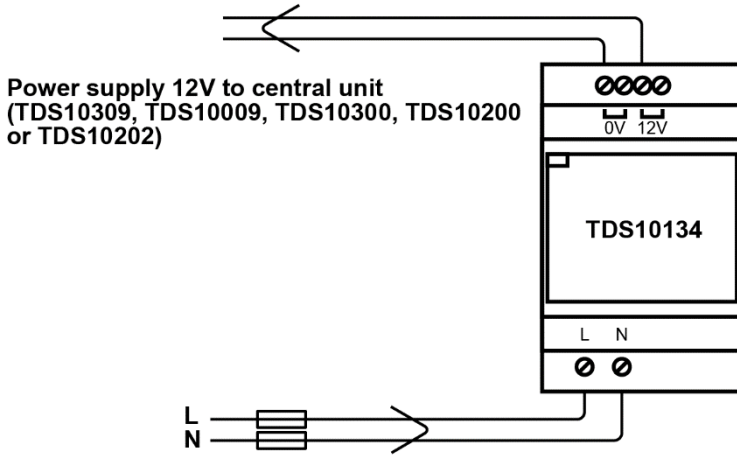
**LIMITED WARRANTY**

4 years

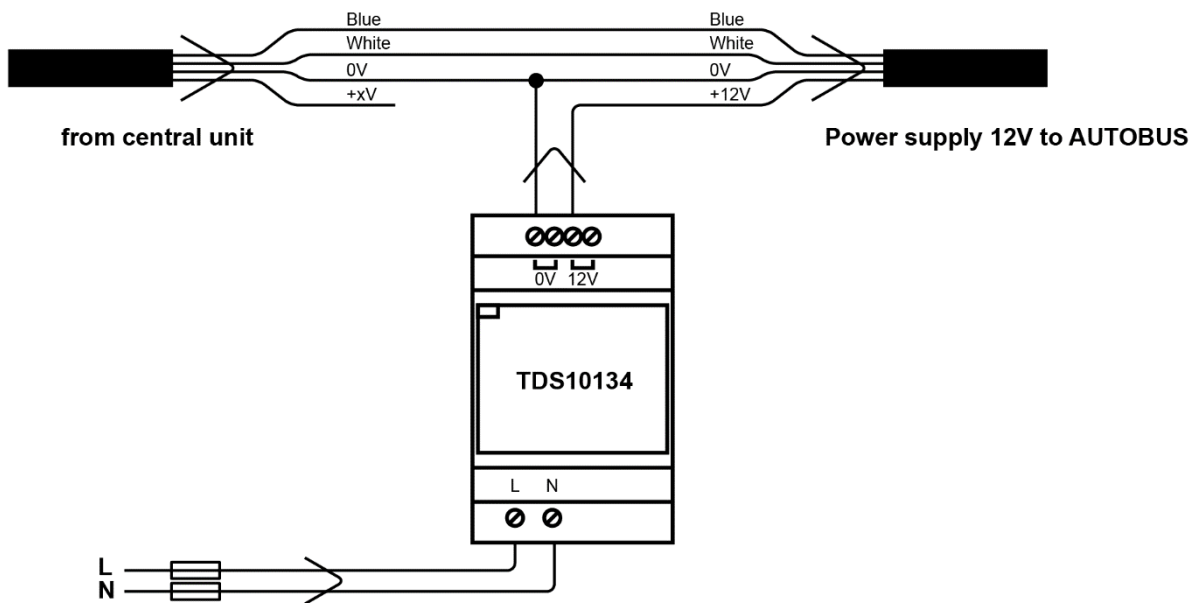


**SCHEMATIC DRAWING**

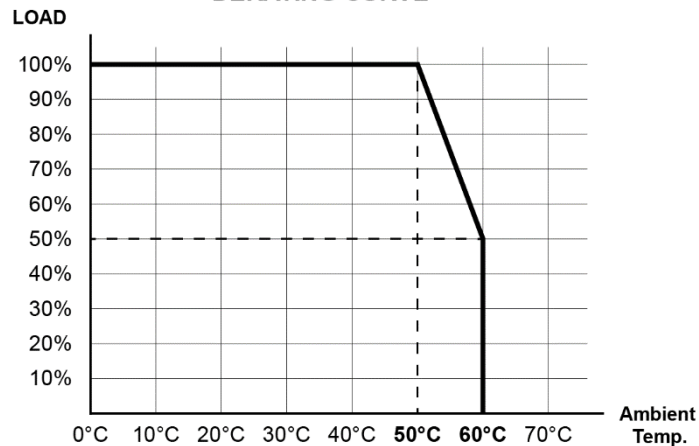
**Basic application**

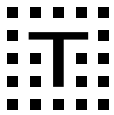


**Extension application**



**DERATING CURVE**





**TDS10202**

**AUTOBUS Extension Interface**

The AUTOBUS Extension interface is to be used with the PALAS (MICROS+ and NANOS) central unit to extend the number of AUTOBUS connections from two to four (AUTOBUS 3 and 4).

By using this extension interface and for the highest reliability, AUTOBUS networks can be galvanically isolated from each other. In this case, additional AUTOBUS power supplies (TDS10132 or TDS10134) must be added.

**APPLICATION**

Extension of the number of AUTOBUS connections for the MICROS+ and NANOS central units.

**CHARACTERISTICS**

**AUTOBUS**

2x AUTOBUS. Both buses are galvanically sealed from the central unit and each other if powered by two separated 12V DC power supplies (available as option ref. TDS10132 or TDS10134).

**SETTINGS**

**Configuration**

Via PROSOFT Suite (3.0 or higher).

**INSTALLATION**

**DIN-rail mounting**

4 modules wide

**Supply voltage**

12V DC (from TDS10132 or TDS10134)

**CONNECTIONS**

**AUTOBUS 3+4**

Plug-in screw terminal (4 wires) per AUTOBUS connection (0V,+12V,Blue and White)

**Power Supply**

L+N 84-264VAC. Screw terminals; max. 4mm<sup>2</sup> (solid) (AWG 12) or 2,5mm<sup>2</sup> (stranded) (AWG 14).

**AUTOBUS extension link**

Via shielded RJ45/CAT5 cable. Supplied with the unit (2m).

! Max. allowed cable length: 2m

!

**POWER CONSUMPTION**

**AUTOBUS**

Max. 18 mA/channel

**A-Link**

Max. 18 mA/channel

**DIMENSIONS**

72 W x 90 H x 60 D (mm)

**NET | GROSS WEIGHT**

0,110 kg | 0,230 kg

**PACKAGING CONTENT**

TDS10202 interface  
AUTOBUS extension cable 2m

**STORAGE**

**Temperature**

-20°C to +65°C

**Relative humidity**

15% to 85%

**IP PROTECTION RATE**

IP20

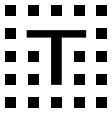
**OPERATING RANGE**

**Temperature**

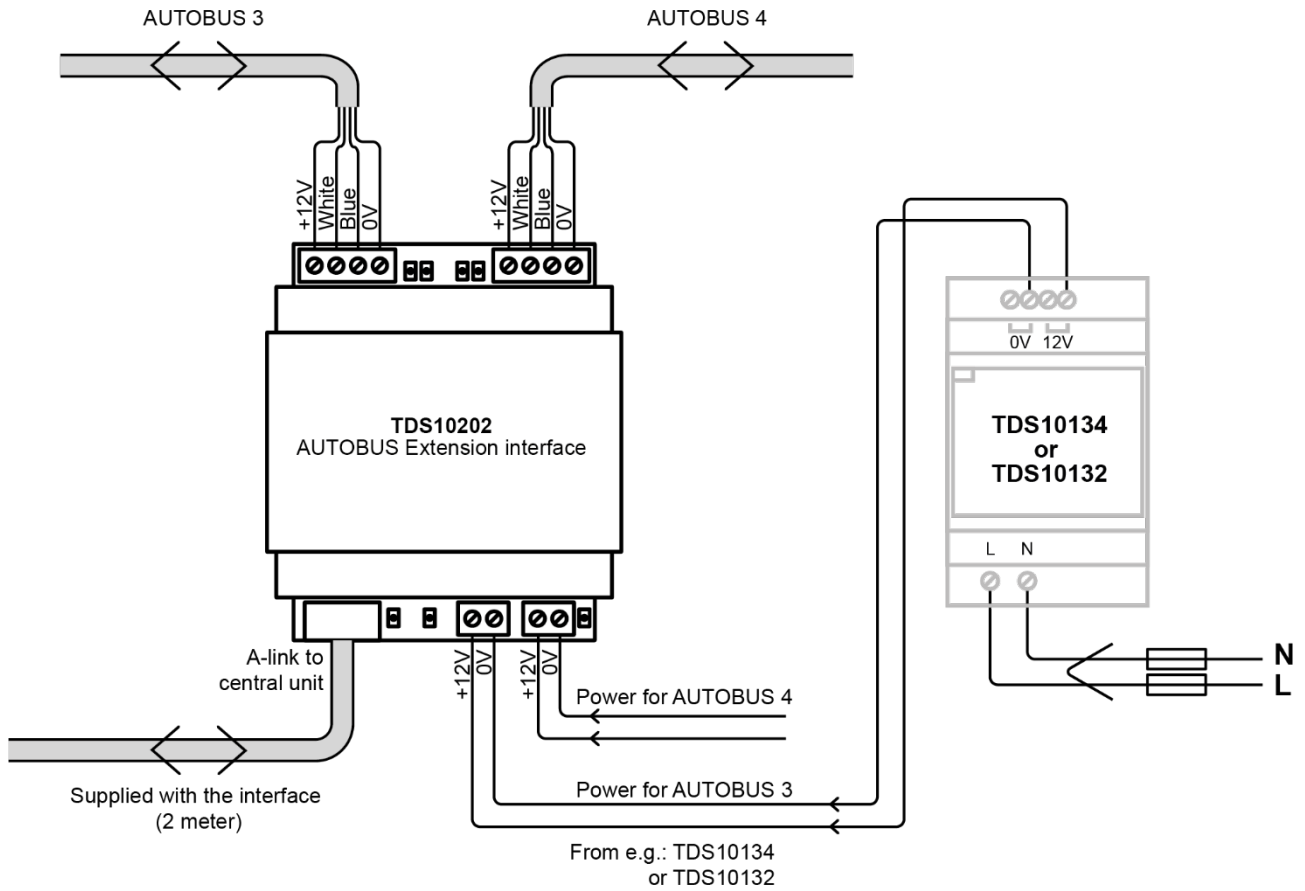
0°C to +50°C max.

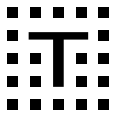
**Relative humidity**

5% to 80% at 25°C (non-condensing ambient)



**SCHEMATIC DRAWING**





## **D. TOUCH PANELS**



**TDS12019xx**

**AURUS-1 Touch panel**



The AURUS-1 features a solid glass touch panel with one large central button for the control of any integrated home automation function. It comes in 4 different colours: WHITE, BLACK, ALUMINIUM GREY PEARL and GOLD PEARL.

The button has a white LED light and a click sound for clear and instant feedback. Soft night light and a build-in IR receiver make sure you can command your AURUS-1 in any circumstances (more than 32 functions available via IR remote control).

The AURUS-1 is mounted in a single wall-box TDS90000AT (brick walls) or TDS90000PB (Plaster board walls) with screws or claws (available as option TDS90260). TELETASK only uses exclusive safety-glass with ceramic printing, hardened at 800°C for all AURUS family members.

**APPLICATION**

AUTOBUS compatible touch panel

**CHARACTERISTICS**

**General**

Solid safety-glass front plate, ceramic background printed and thermal hardened.

1 capacitive sensitive button.

1 hidden "CLEAN" button.

Build-in infrared receiver for remote control (TDS12503).

Build-in temperature sensor for room temperature control (floor heating, ventilation heating, traditional heating and air-conditioning).

Buzzer for acoustic feedback.

**Order numbers**

TDS12019WH white

TDS12019BL black

TDS12019AU gold

TDS12019LG aluminium-grey

**Cleaning**

To temporary disable the touch buttons, press long in the centre of the upper side.

Use only dry microfiber cloth. Never use liquids or solvents!

**SETTINGS**

**Configuration**

Via PROSOFT Suite (V3.5.12 or higher).

**AUTOBUS address**

Via two rotary switches "Tens" & "units".

**Jumpers**

Terminating resistor (supplied with the central unit). To be used when the interface is at the physical end of the AUTOBUS cable.

**INSTALLATION**

**Standard mounting**

To be mounted with included wall bracket in about any standard single round or rectangular wall box.

Or order the TELETASK standard single wall box for brick walls ref. TDS90000AT. For plaster board or other hollow walls order ref. TDS90000PB.

To remove the AURUS-1 after installation, place a flat-head screw driver in the provided slot at the back of the housing. A standard flat-head screw driver of 5x100mm (3/16x4in.) is recommended.

**Flush mounting**

Use Flush mounting box TDS90032 for flush mounting. For hollow walls this has to be combined with Alu frame TDS90031.

! Rem.: Normal operation of the temperature sensor will be disturbed with flush mounting.

**On-wall mounting**

Use the TDS90035 on-wall box in case of concrete, marble, ... walls, if the standard in-wall solution is not possible.

For

**Sealed on-wall box**

TDS90037 is to be used as a preventive action to discourage unauthorized use of the touch panel and to protect against dust, waterdrops, water sprays, ....

**Supply voltage**

12V supplied by the AUTOBUS (minimum 9V). Can be checked in PROSOFT Diagnostics.

**CONNECTIONS**

**AUTOBUS**

AUTOBUS connector set supplied with this unit.

**POWER CONSUMPTION**

**AUTOBUS**

Max. 23 mA

**DIMENSIONS**

90W x 90H x 13D (mm) thickness on wall

**NET | GROSS WEIGHT**

0,135 kg | 0,235 kg

**PACKAGING CONTENT**

TDS12019

AUTOBUS connector set + terminating resistor

Wall bracket

**ENVIRONMENTAL CONDITIONS**

**Storage (with no condensation or icing)**

Temperature: -20°C to +65°C max.

Relative humidity: 5% to 85% max.

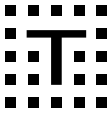
**Operation (with no condensation or icing)**

Temperature: 0°C to +50°C max.

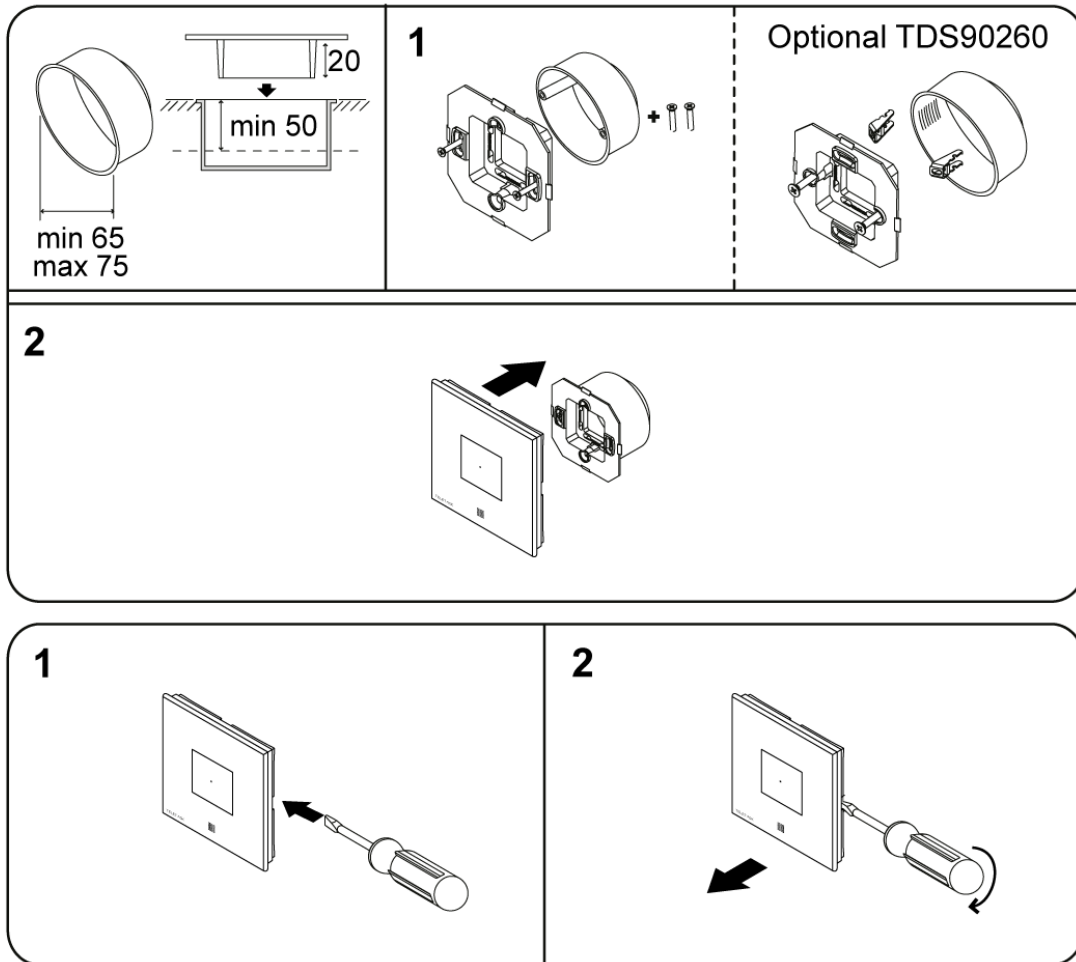
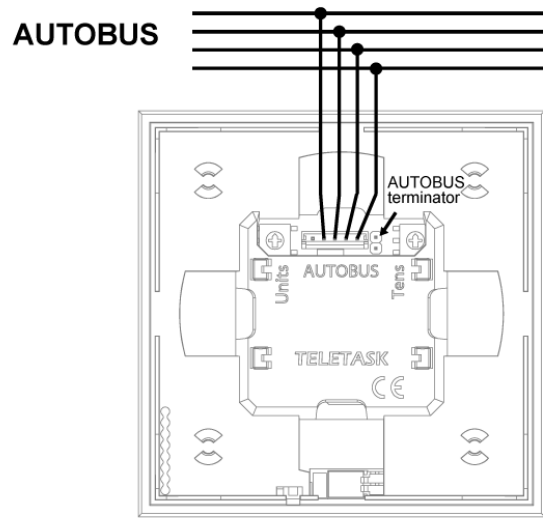
Relative humidity: 5% to 80% max.

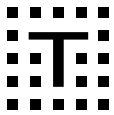
**IP PROTECTION RATE**

IP20



**SCHEMATIC DRAWING**





**TDS12020xx**

**AURUS-2 Touch panel**



The AURUS features a hardened glass touch panel with 2 buttons. It comes in 4 different colours: WHITE, BLACK, ALUMINIUM GREY PEARL and GOLD PEARL. The buttons have white LED lights and a click sound for clear and instant feedback. Soft night light and a build-in IR make sure you command your AURUS in any circumstances. The AURUS is mounted in a single wall-box TDS90000AT (brick walls) or TDS90000PB (Plaster board walls) with screws or claws (available as TDS90260). Can be easily rotated. TELETASK only uses exclusive safety-glass with ceramic printing, hardened at 800°C for all AURUS family members.

**APPLICATION**

AUTOBUS compatible touch panel

**CHARACTERISTICS**

**General**

Solid safety-glass front plate, ceramic background printed and thermal hardened.  
2 capacitive sensitive buttons.  
1 hidden "CLEAN" button.  
Build-in infrared receiver for remote control (TDS12503).  
Build-in temperature sensor for room temperature control (floor heating, ventilation heating, traditional heating and air-conditioning).  
Buzzer.

**Order numbers**

TDS12020WH white  
TDS12020BL black  
TDS12020AU gold  
TDS12020LG aluminium-grey

**Cleaning**

To temporary disable the touch buttons, press long in the centre of the upper side.  
Use only dry microfiber cloth. Never use liquids or solvents!

**SETTINGS**

**Configuration**

Via PROSOFT Suite (V3.3 or higher).

**AUTOBUS address**

Via two rotary switches "Tens" & "units".

**Jumpers**

Terminating resistor (supplied with the central unit). To be used when the interface is at the physical end of the AUTOBUS cable.

**INSTALLATION**

**Standard mounting**

To be mounted with included wall bracket in about any standard single wall box.  
Or order the TELETASK standard single wall box for brick walls ref. TDS90000AT. For plaster board or other hollow walls order ref. TDS90000PB.  
To be placed in horizontal position but can also be placed in vertical position.  
To change the orientation after installation, place a flat-head screw driver in the provided slot at the back of the housing. A standard flat-head screw driver of 5x100mm (3/16x4in.) is recommended.

**Flush mounting**

Use Flush mounting box TDS90032 for flat mounting. For hollow walls this has to be combined with Alu frame TDS90031.

! Rem.: Normal operation of the temperature sensor will be disturbed with flush mounting.

**On-wall mounting**

Use the TDS90035 on-wall box in case of concrete, marble, ... walls, if the standard in-wall solution is not possible.

**Sealed on-wall box**

TDS90037 is to be used as a preventive action to discourage unauthorized use of the touch panel and to protect against dust, waterdrops, water sprays, ....

**Supply voltage**

12V supplied by the AUTOBUS (minimum 9V).

**CONNECTIONS**

**AUTOBUS**

AUTOBUS connector set supplied with this unit.

**POWER CONSUMPTION**

**AUTOBUS**

Max. 26 mA (2x LED ON)

**DIMENSIONS**

90W x 90H x 13D (mm) thickness on wall

**NET | GROSS WEIGHT**

0,135 kg | 0,235 kg

**PACKAGING CONTENT**

TDS12020  
AUTOBUS connector set + terminating resistor  
Wall bracket

**ENVIRONMENTAL CONDITIONS**

**Storage (with no condensation or icing)**

Temperature: -20°C to +65°C max.  
Relative humidity: 5% to 85% max.

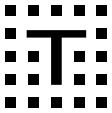
**Operation (with no condensation or icing)**

Temperature: 0°C to +50°C max.  
Relative humidity: 5% to 80% max.

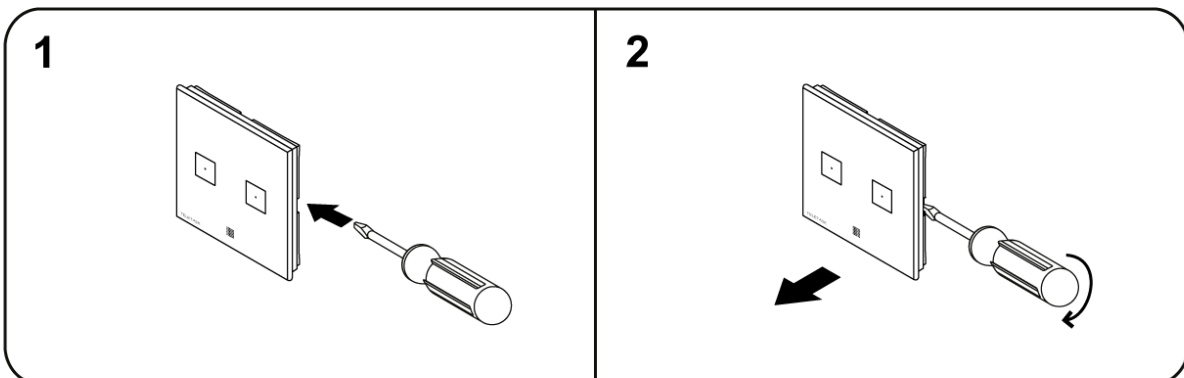
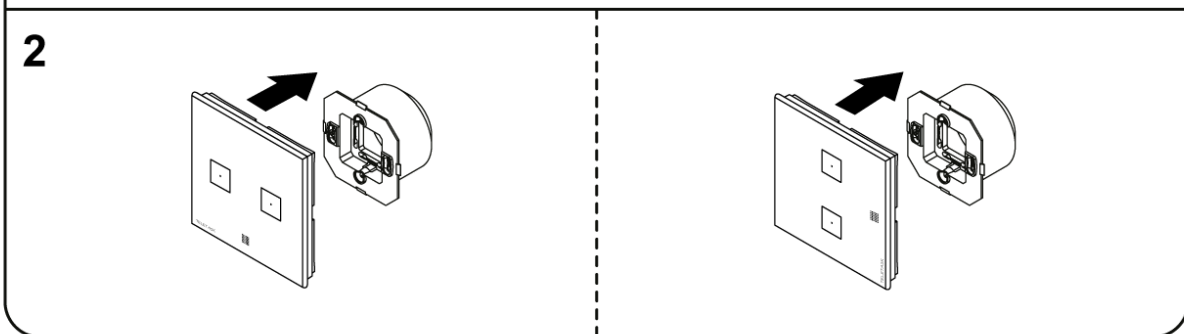
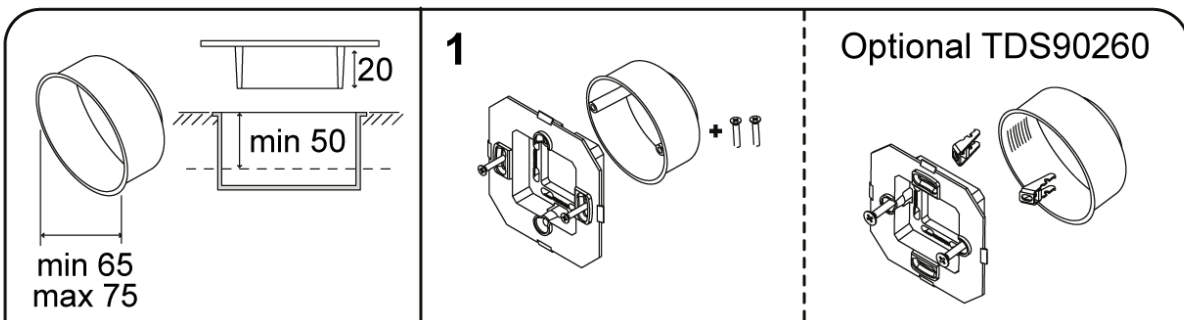
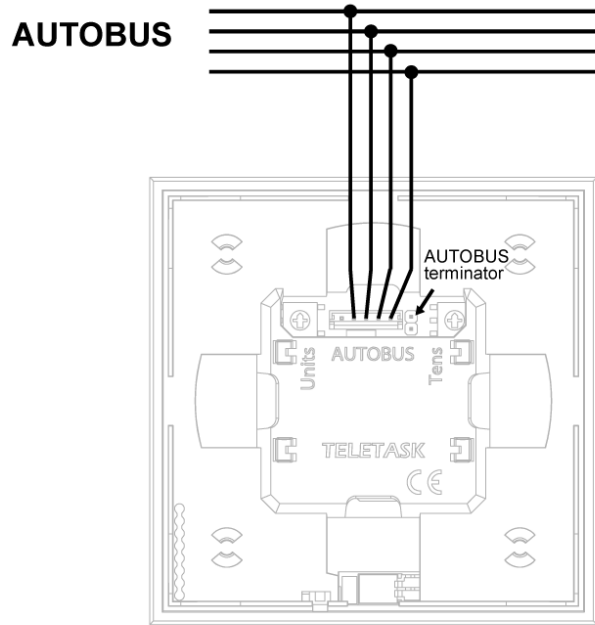
**IP PROTECTION RATE**

IP20





**SCHEMATIC DRAWING**





**TDS12025xx**

**AURUS-2 SENSE Motion sensor Touch panel**



The AURUS-2 SENSE is a motion sensor for residential use: light control in hall-ways, night halls etc. The motion sensor has a horizontal viewing angle of 100 degrees and a range of 12 meter. In addition, this glass touch panel has two capacitive push buttons, a built-in temperature sensor and a light sensor which can be used independently or combined with the motion sensor function (switch light ON only when the light level is low). The trigger level can be defined in PROSOFT Suite.

Includes a built-in infra-red receiver for remote control.

TELETASK only uses exclusive safety-glass with ceramic printing, hardened at 800°C for all AURUS family members.

**APPLICATION**

AUTOBUS compatible motion sensor / touch panel

**CHARACTERISTICS**

**General**

Solid safety-glass front plate, ceramic background printed and thermal hardened.  
2 capacitive sensitive buttons.  
1 hidden "CLEAN" button.  
Motion sensor.  
Light sensor.  
Build-in infrared receiver for remote control (TDS12503).  
Build-in temperature sensor for room temperature control (floor heating, ventilation heating, traditional heating and air-conditioning).  
Buzzer.

**Motion sensor**

The motion sensor is a very sensitive pyroelectric infrared sensor.

Detection range (ambient temperature at 25°C):

- 100° horizontal (+50°, -50°)
- 90° vertical (+45°, -45°)
- Max. 12m

! Remark: Depending on the target's speed and its temperature difference with the surroundings, detection can occur at a range inferior or superior to the above value.

**Light sensor**

Measures the illumination in front of the AURUS-2 SENSE in a range from 1 to 10.000 lux.

**Order numbers**

TDS12025WH white  
TDS12025BL black  
TDS12025AU gold  
TDS12025LG aluminium-grey

**Cleaning**

To temporary disable the touch buttons, press long in the centre of the upper side.  
Use only dry microfiber cloth. Never use liquids or solvents!  
The detecting performance will drop if dirt and dust adhere to the lens.

**SETTINGS**

**Configuration**

Via PROSOFT Suite (V3.4 or higher).

**AUTOBUS address**

Via two rotary switches "Tens" & "units".

**Jumpers**

Terminating resistor (supplied with the central unit). To be used when the interface is at the physical end of the AUTOBUS cable.

**INSTALLATION**

**Installation considerations**

In some cases the AURUS-2 SENSE may not properly detect movement: lack of movement, no temperature change between the ambient and the heat source (human body) or movements that occur towards the AURUS-2 SENSE.

Detection of heat sources other than the human body, such as:

- animals entering the detection area
- white light source (sunlight, car headlights, etc.) directly hitting the AURUS-2 SENSE.
- sudden temperature changes in the detection area caused by humidifier water vapor emission, or air conditioning system hot/cold air emissions.

Difficulty in sensing the heat source:

- glass, acrylic or similar materials standing between the target and the AURUS-2 SENSE may not allow a correct transmission of infrared rays.
- movements too short / too fast of the heat source inside the detection area

Expansion of the detection area:

- in case of considerable difference in the ambient temperature and the human body temperature, detection area may be wider apart from the configured detection area.

**Ambient conditions**

The temperature difference between the target and the surroundings should be more than 4°C.

The AURUS-2 SENSE is not waterproof or dustproof. Avoid use in environments subject to excessive moisture, condensation, frost, containing salt air or dust.

**Standard mounting**

To be mounted with included wall bracket in about any standard single wall box.

Or order the TELETASK standard single wall box for brick walls ref. TDS90000AT. For plaster board or other hollow walls order ref. TDS90000PB.

To be placed in horizontal position.

To remove the AURUS-2 SENSE, place a flat-head screw driver in the provided slot at the back of the housing. A standard flat-head screw driver of 5x100mm (3/16x4in.) is recommended.

**Flush mounting**

Use Flush mounting box TDS90032 for flush mounting. For hollow walls this has to be combined with Alu frame TDS90031.

! Important remark: Normal operation of the temperature sensor may be disturbed with flush mounting.

**On-wall mounting**

Use the TDS90035 on-wall box in case of concrete, marble, ... walls, if the standard in-wall solution is not possible.

**Supply voltage**

12V supplied by the AUTOBUS (minimum 9V).

**CONNECTIONS**

**AUTOBUS**

AUTOBUS connector set supplied with this unit.

**POWER CONSUMPTION**

**AUTOBUS**

Max. 25 mA

**DIMENSIONS**

90W x 90H x 20D (mm) thickness on wall

**NET | GROSS WEIGHT**

0,130 kg | 0,240 kg

**PACKAGING CONTENT**

TDS12025

AUTOBUS connector set + terminating resistor

Wall bracket

**STORAGE**

**Temperature**

-20°C to +65°C

**Relative humidity**

15% to 85%

**IP PROTECTION RATE**

IP20

**OPERATING RANGE**

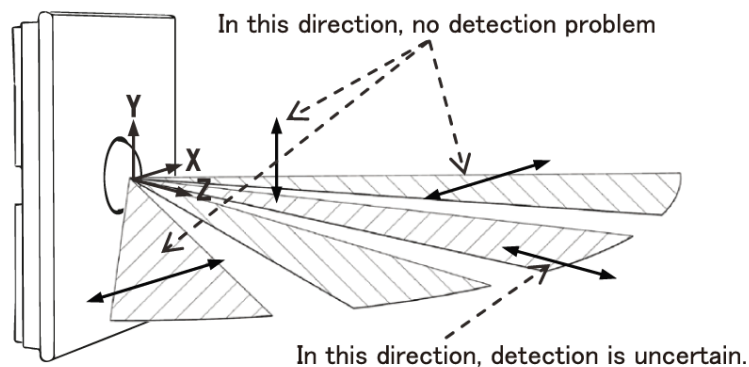
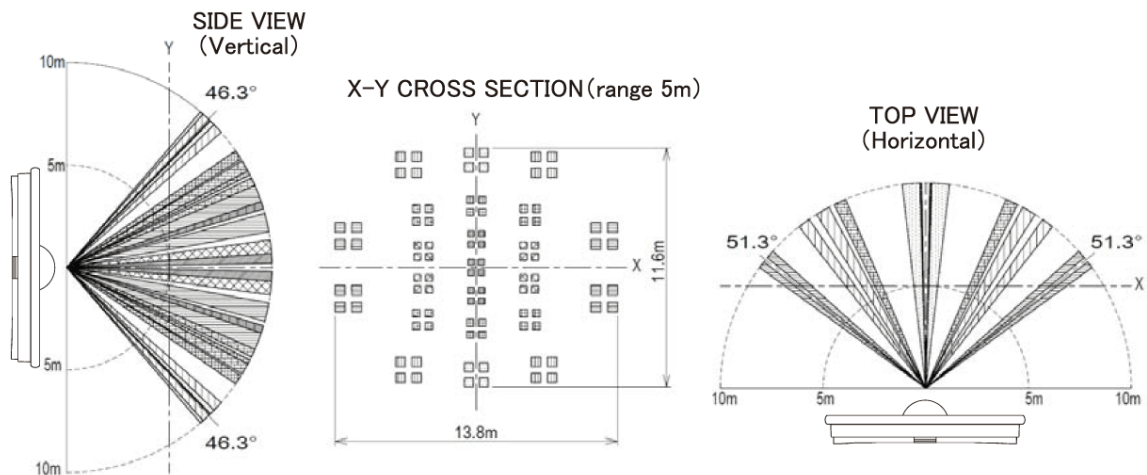
**Temperature**

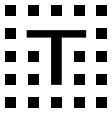
0°C to +50°C max.

**Relative humidity**

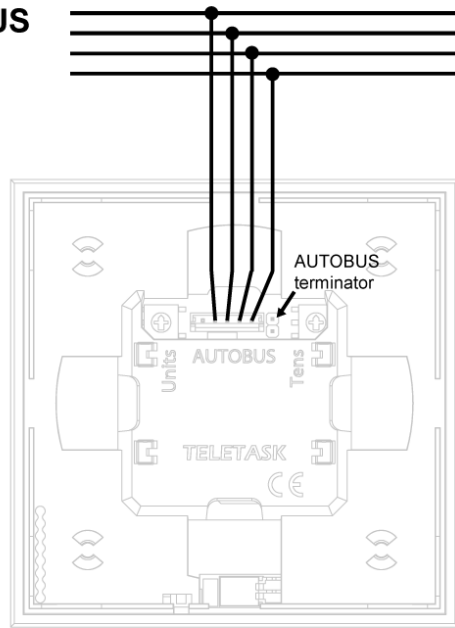
5% to 80% at 25°C (non-condensing ambient)

**SCHEMATIC DRAWING**





**AUTOBUS**



<p>min 65 max 75</p> <p>min 50</p> <p>20</p>	<p><b>1</b></p>	<p>Optional TDS90260</p>
--	-----------------	--------------------------

**2**

<p><b>1</b></p>	<p><b>2</b></p>
-----------------	-----------------



**TDS12024xx**

**AURUS-4S Touch panel**



The AURUS-4S features a hardened glass touch panel with 4 capacitive buttons. These buttons consist of 4 feedback LED lights (with soft night light) and a click sound for clear and instant feedback.  
On top of that the AURUS-4S comes with a IR-receiver for the TELETASK remotes, a buzzer and a temperature sensor for room temperature control.  
The AURUS-4S is available in white, black, aluminium-grey and gold version and can be mounted in about any standard single wall box.  
TELETASK only uses exclusive safety-glass with ceramic printing, hardened at 800°C for all AURUS family members.

**APPLICATION**

AUTOBUS compatible touch panel

**CHARACTERISTICS**

**General**

Solid safety-glass front plate, ceramic background printed and thermal hardened.  
4 capacitive sensitive buttons.  
1 hidden "CLEAN" button.  
Build-in infrared receiver for remote control (TDS12503).  
Build-in temperature sensor for room temperature control (floor heating, ventilation heating, traditional heating and air-conditioning).  
Buzzer.

**Order numbers**

TDS12024WH white  
TDS12024BL black  
TDS12024AU gold  
TDS12024LG aluminium-grey

**Cleaning**

To temporary disable the touch buttons, press long in the centre of the upper side.  
Use only dry microfiber cloth. Never use liquids or solvents!

**SETTINGS**

**Button functions**

Via PROSOFT Suite V3.4.8 or higher

**AUTOBUS address**

Via two rotary switches "Tens" & "units"

**Jumpers**

Terminating resistor (supplied with the central unit). To be used when the interface is at the physical end of the AUTOBUS cable.

**INSTALLATION**

**Standard mounting**

To be mounted with included wall bracket in about any standard single wall box.  
Or order the TELETASK standard single wall box for brick walls ref. TDS90000AT. For plaster board or other hollow walls order ref. TDS90000PB.  
To remove the AURUS-4S after installation, place a flat-head screw driver in the provided slot at the back of the housing. A standard flat-head screw driver of 5x100mm (3/16x4in.) is recommended.

**Flush mounting**

Use Flush mounting box TDS90032 for flat mounting. For hollow walls this has to be combined with Alu frame TDS90031. Rem.: Normal operation of the temperature sensor will be disturbed with flush mounting.

**On-wall mounting**

Use the TDS90035 on-wall box in case of concrete, marble, ... walls, if the standard in-wall solution is not possible.

**Sealed on-wall box**

TDS90037 is to be used as a preventive action to discourage unauthorized use of the touch panel and to protect against dust, waterdrops, water sprays, ....

**Supply voltage**

12V (supplied by the AUTOBUS - minimum 9V).

**CONNECTIONS**

**AUTOBUS**

With dedicated connection set (included with the package).

**POWER CONSUMPTION**

Max. 32 mA

**DIMENSIONS**

**Front plate**

90W x 90H x 13D (mm) thickness on wall

**NET | GROSS WEIGHT**

0,130 kg | 0,235 kg

**PACKAGING CONTENT**

TDS12024xx  
AUTOBUS connection set + terminating resistor  
Wall bracket

**ENVIRONMENTAL CONDITIONS**

**Storage (with no condensation or icing)**

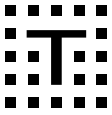
Temperature: -20°C to +65°C max.  
Relative humidity: 5% to 85% max.

**Operation (with no condensation or icing)**

Temperature: 0°C to +50°C max.  
Relative humidity: 5% to 80% max.

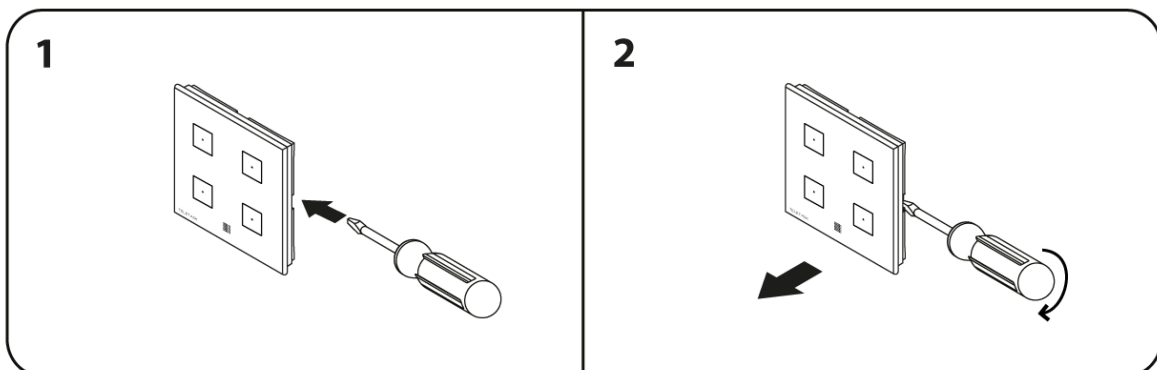
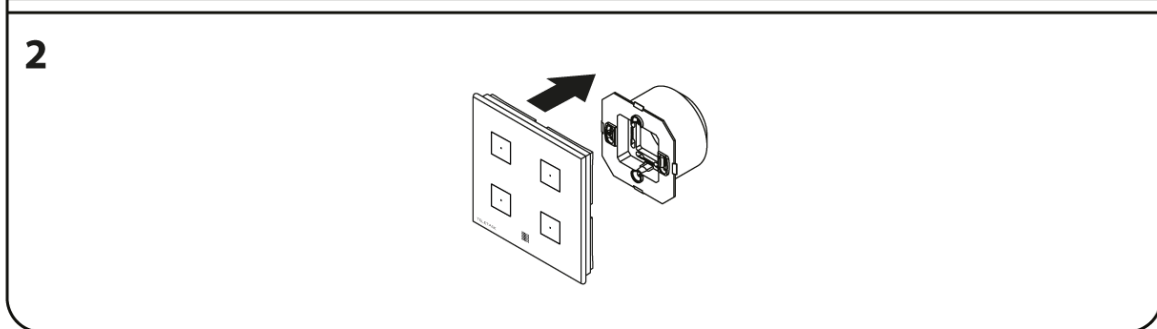
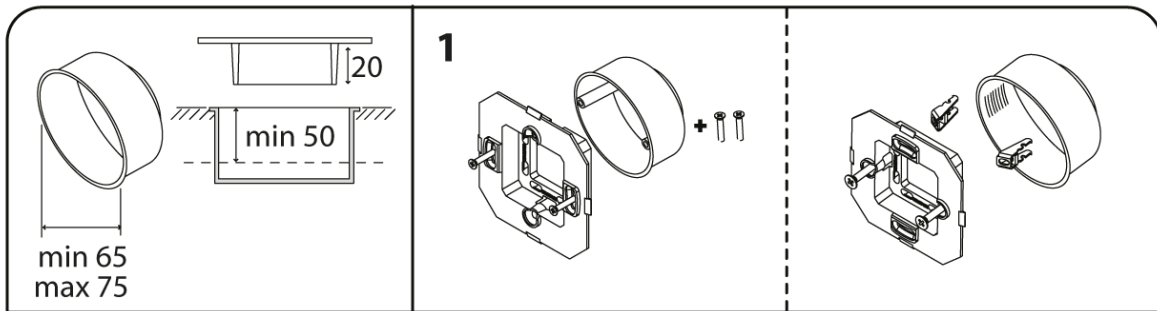
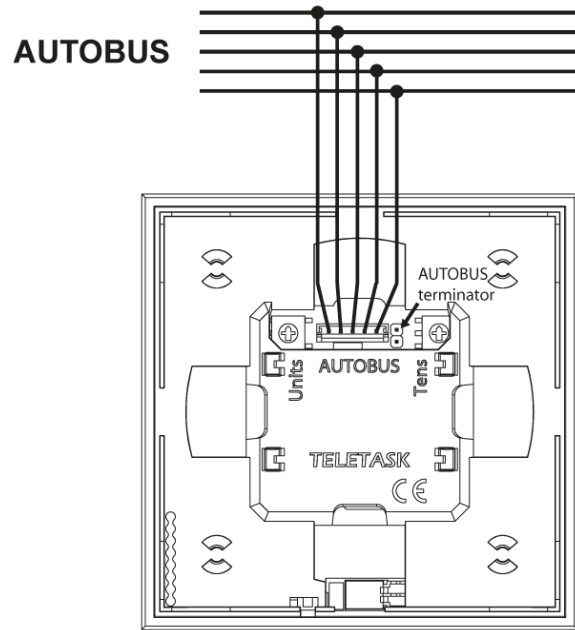
**IP PROTECTION RATE**

IP20



**SCHEMATIC DRAWING**

**TDS 12024**



**TDS12026xx**

**AURUS-4 TEMP Temperature control touch panel**



The AURUS-4 TEMP is a solid glass capacitive touch panel with four buttons and a small OLED display for room temperature control.

The upper two buttons can be configured freely (lights, blinds, etc. ...) and the lower two buttons are predefined for room temperature control setting. With the AURUS-4 TEMP the temperature, HVAC mode, preset and fan speed can be set, if needed for your application. The AURUS-4 TEMP touch panel also has built-in temperature sensor and infra-red receiver for remote control purposes. It is compact and perfect for rooms where you need temperature control and a few more other functions.

**APPLICATION**

AUTOBUS compatible touch panel

**CHARACTERISTICS**

**General**

Solid safety-glass front plate, ceramic background printed and thermal hardened.

4 capacitive sensitive buttons.

1 hidden "CLEAN" button.

OLED display.

Build-in infrared receiver for remote control (TDS12503).

Build-in temperature sensor for room temperature control (floor heating, ventilation heating, traditional heating and air-conditioning).

Buzzer.

**Order numbers**

TDS12026WH white

TDS12026BL black

TDS12026AU gold

TDS12026LG aluminium-grey

**Cleaning**

To temporary disable the touch buttons, press long in the centre of the upper side.

Use only dry microfiber cloth. Never use liquids or solvents!

**SETTINGS**

**Configuration**

Via PROSOFT Suite (V3.4.8 or higher).

**AUTOBUS address**

Via rotary switches "Tens" & "Unit".

**Jumpers**

Terminating resistor (supplied with the central unit). To be used when the interface is at the physical end of the AUTOBUS cable.

**INSTALLATION**

**Standard mounting**

To be mounted with included wall bracket in about any standard single wall box.

Or order the TELETASK standard single wall box for brick walls ref. TDS90000AT. For plaster board or other hollow walls order ref. TDS90000PB.

To remove the AURUS-4 TEMP after installation, place a flat-head screw driver in the provided slot at the back of the housing. A standard flat-head screw driver of 5x100mm (3/16x4in.) is recommended.

**Flush mounting**

Use Flush mounting box TDS90032 for flat mounting. For hollow walls this has to be combined with Alu frame TDS90031. Rem.: Normal operation of the temperature sensor will be disturbed with flush mounting.

**On-wall mounting**

Use the TDS90035 on-wall box in case of concrete, marble, ... walls, if the standard in-wall solution is not possible.

**Sealed on-wall box**

TDS90037 is to be used as a preventive action to discourage unauthorized use of the touch panel and to protect against dust, waterdrops, water sprays, ....

**Supply voltage**

12V (supplied by the AUTOBUS - minimum 9V).

**CONNECTIONS**

**AUTOBUS**

AUTOBUS connector set supplied with this unit.

**POWER CONSUMPTION**

Max. 62 mA

**DIMENSIONS**

90W x 90H x 13D (mm) thickness on wall

**NET | GROSS WEIGHT**

0,130 kg | 0,235 kg

**PACKAGING CONTENT**

TDS12026xx

AUTOBUS connection set + terminating resistor

Wall bracket

**ENVIRONMENTAL CONDITIONS**

**Storage (with no condensation or icing)**

Temperature: -20°C to +65°C max.

Relative humidity: 5% to 85% max.

**Operation (with no condensation or icing)**

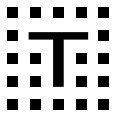
Temperature: 0°C to +50°C max.

Relative humidity: 5% to 80% max.

! Avoid high humidity and high temperatures for long time.

**IP PROTECTION RATE**

IP20



**SCHEMATIC DRAWING**

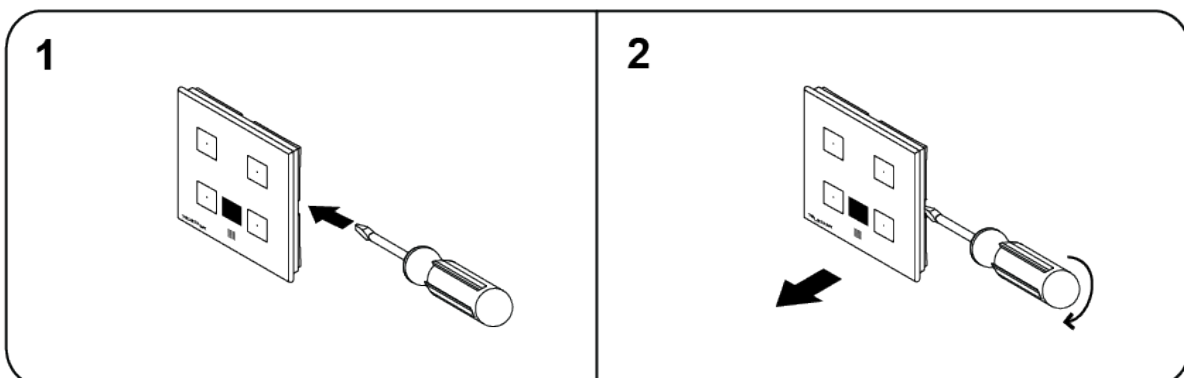
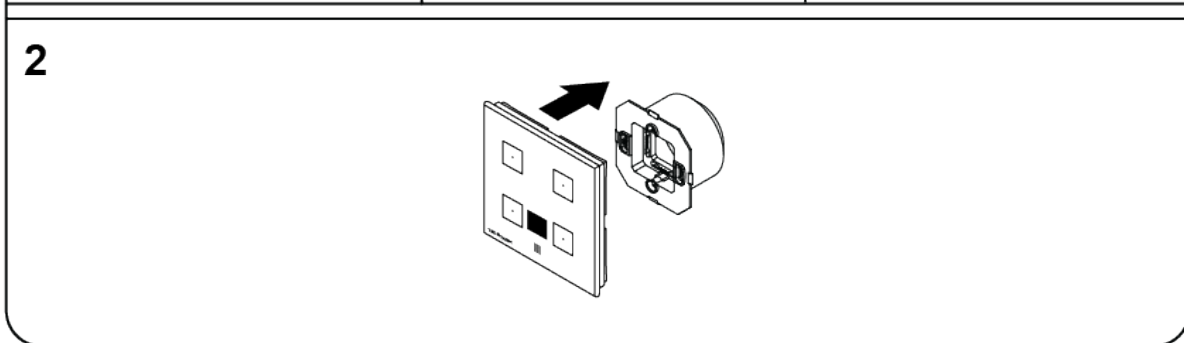
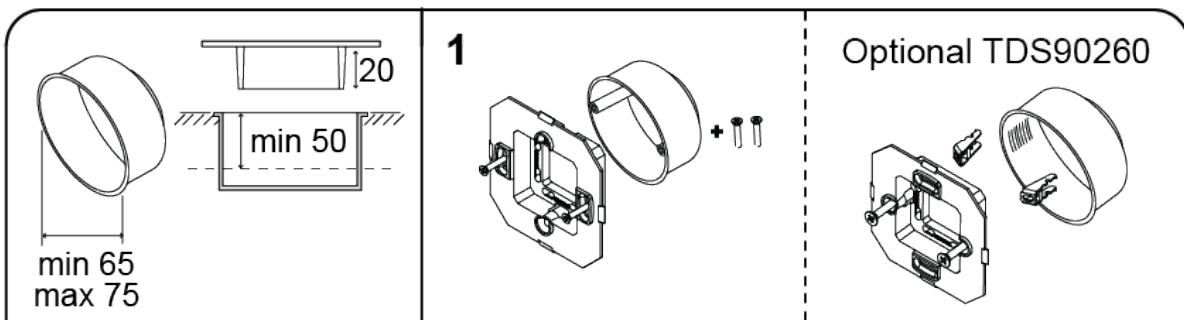
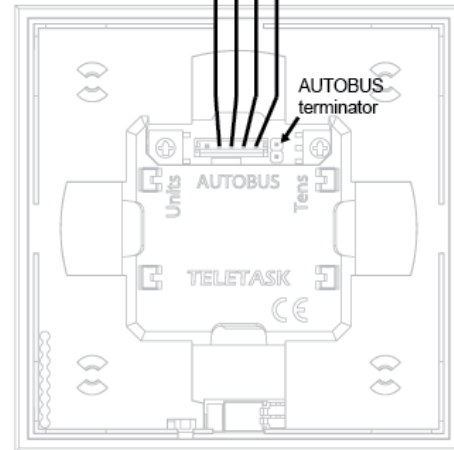
**AUTOBUS**



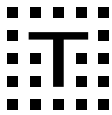
User manual EN\_NL\_FR



[https://teletask.be/media/3253/user-manual-aurus-4-temp\\_tds12026.pdf](https://teletask.be/media/3253/user-manual-aurus-4-temp_tds12026.pdf)







**TDS12021xx**

**AURUS-4XL Touch panel**

The AURUS features a hardened glass touch panel with 4 buttons. It comes in 4 different colours: WHITE, BLACK, ALUMINUM GREY and GOLD. The buttons have white LED lights and a click sound for clear and instant feedback. Soft night light and a build-in IR make sure you command your AURUS in any circumstances. The AURUS is mounted in a single wall-box TDS90000AT (brick walls) or TDS90000PB (Plaster board walls) with screws or claws (claws included in package). To be placed in vertical position but can also be placed in horizontal position. TELETASK only uses exclusive safety-glass with ceramic printing, hardened at 800°C for all AURUS family members.

**APPLICATION**

AUTOBUS compatible touch panel

**CHARACTERISTICS**

**General**

Solid safety-glass front plate, ceramic background printed and thermal hardened.  
4 capacitive sensitive buttons.  
1 hidden "CLEAN" button.  
Build-in infrared receiver for remote control (TDS12503).  
Build-in temperature sensor for room temperature control (floor heating, ventilation heating, traditional heating and air-conditioning).  
Buzzer.

**Order numbers**

TDS12021WH white  
TDS12021BL black  
TDS12021AU gold  
TDS12021LG aluminium-grey

**Cleaning**

To temporary disable the touch buttons, press long in the centre of the upper side.  
Use only dry microfiber cloth. Never use liquids or solvents!

**SETTINGS**

**Button functions**

Via PROSOFT Suite  
T° sensor functions supported starting with PROSOFT Suit V3.2 or higher.

**AUTOBUS address**

Via two rotary switches "Tens" & "units"

**Jumpers**

Terminating resistor (supplied with the central unit). To be used when the interface is at the physical end of the AUTOBUS cable.

**INSTALLATION**

**Standard mounting**

To be mounted with included wall bracket in about any standard single wall box.  
Or order the TELETASK standard single wall box for brick walls ref. TDS90000AT. For plaster board or other hollow walls order ref. TDS90000PB.  
To be placed in vertical position but can also be placed in horizontal position.  
To change the orientation after installation, place a flat-head screw driver in the provided slot at the back of the housing. A standard flat-head screw driver of 5x100mm (3/16x4in.) is recommended.

**Flush mounting**

Use Flush mounting box TDS90030 for flat mounting. For hollow walls this has to be combined with Alu frame TDS90031. Rem.: Normal operation of the temperature sensor will be disturbed with flush mounting.

**On-wall mounting**

Use the TDS90035 on-wall box in case of concrete, marble, ... walls, if the standard in-wall solution is not possible.

**Sealed on-wall box**

TDS90037 is to be used as a preventive action to discourage unauthorized use of the touch panel and to protect against dust, waterdrops, water sprays, ....

**Supply voltage**

12V (supplied by the AUTOBUS - minimum 9V).

**CONNECTIONS**

**AUTOBUS**

With dedicated connection set (included with the package).

**POWER CONSUMPTION**

Max. 32 mA

**DIMENSIONS**

**Front plate**

90W x 140H x 13D (mm) thickness on wall

**NET | GROSS WEIGHT**

0,200 kg | 0,295 kg

**PACKAGING CONTENT**

TDS12021xx  
AUTOBUS connection set + terminating resistor  
Wall bracket

**ENVIRONMENTAL CONDITIONS**

**Storage (with no condensation or icing)**

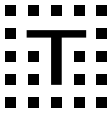
Temperature: -20°C to +65°C max.  
Relative humidity: 5% to 85% max.

**Operation (with no condensation or icing)**

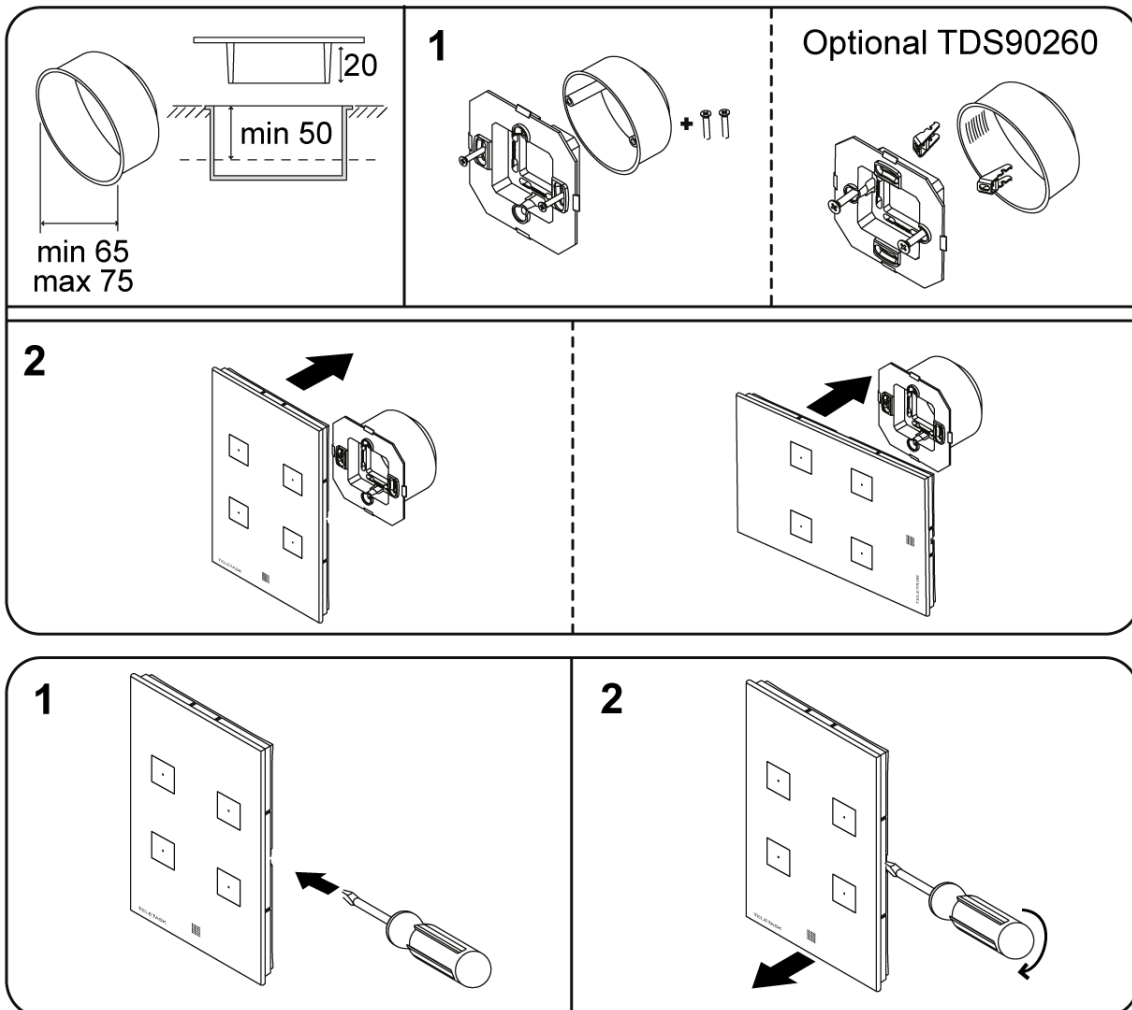
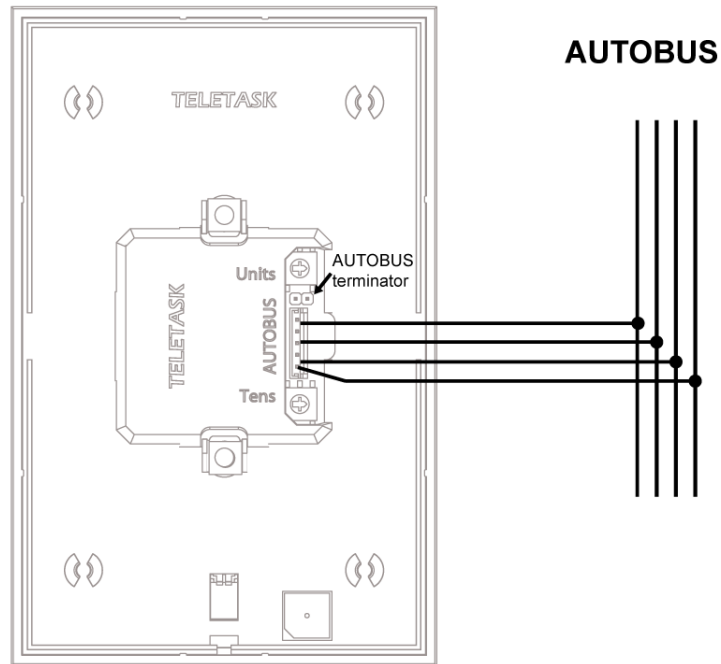
Temperature: 0°C to +50°C max.  
Relative humidity: 5% to 80% max.

**IP PROTECTION RATE**

IP20



**SCHEMATIC DRAWING**





**TDS12022xx**

**AURUS-OLED Touch panel – 4x8 buttons**

AURUS-OLED is a glass touch panel with eight capacitive approach sensitive buttons. It features a hidden menu structure with four fully customizable pages (two pages are pre-programmed as an audio and a temperature control page).

There are eight (night illuminated) feedback LED's, a built-in infrared receiver for remote control, a buzzer and a built-in temperature sensor for room temperature control.

AURUS is available in black, white, gold and aluminium grey versions.

The unit can be mounted in a single wall box, in vertical or horizontal position, the choice is up to you. Even after installation the positioning can be changed in seconds, any time you like.

TELETASK only uses exclusive safety-glass with ceramic printing, hardened at 800°C for all AURUS family members.

**APPLICATION**

AUTOBUS compatible touch panel

**CHARACTERISTICS**

**General**

Solid safety-glass front plate, ceramic background printed and thermal hardened.

8 capacitive sensitive buttons.

Hidden menu structure (3 extra pages of which 2 pre-programmed as audio and temperature page – every page is customizable from out of PROSOFT)

1 hidden "CLEAN" button.

Build-in infrared receiver for remote control (TDS12503).

Build-in temperature sensor for room temperature control (floor heating, ventilation heating, traditional heating and air-conditioning).

Buzzer.

**Order numbers**

TDS12022WH white

TDS12022BL black

TDS12022AU gold

TDS12022LG aluminium-grey

**Cleaning**

To temporary disable the touch buttons, press long in the centre of the upper side.

Use only dry microfiber cloth. Never use liquids or solvents!

**SETTINGS**

**Configuration**

Via PROSOFT Suite

T° sensor functions supported starting with

PROSOFT Suit V3.2 or higher.

**AUTOBUS address**

Via rotary switches "Tens" & "Unit".

**Jumpers**

Terminating resistor (supplied with the central unit). To be used when the interface is at the physical end of the AUTOBUS cable.

**INSTALLATION**

**Standard mounting**

To be mounted with included wall bracket in about any standard single wall box.

Or order the TELETASK standard single wall box for brick walls ref. TDS90000AT. For plaster board or other hollow walls order ref. TDS90000PB.

To be placed in vertical position but can also be placed in horizontal position.

To change the orientation after installation, place a

flat-head screw driver in the provided slot at the back of the housing. A standard flat-head screw driver of 5x100mm (3/16x4in.) is recommended.

**Flush mounting**

Use Flush mounting box TDS90030 for flush mounting. For hollow walls this has to be combined with Alu frame TDS90031.

Rem.: Normal operation of the temperature sensor will be disturbed with flush mounting.

**On-wall mounting**

Use the TDS90035 on-wall box in case of concrete, marble, ... walls, if the standard in-wall solution is not possible.

**Sealed on-wall box**

TDS90037 is to be used as a preventive action to discourage unauthorized use of the touch panel and to protect against dust, waterdrops, water sprays, ....

**Supply voltage**

12V (supplied by the AUTOBUS - minimum 9V).

**CONNECTIONS**

**AUTOBUS**

AUTOBUS connector set supplied with this unit.

**POWER CONSUMPTION**

Max. 110 mA

**DIMENSIONS**

90W x 140H x 13D (mm) thickness on wall

**NET | GROSS WEIGHT**

0,200 kg | 0,375 kg

**PACKAGING CONTENT**

TDS12022xx interface

AUTOBUS connection set + terminating resistor

Wall bracket

**ENVIRONMENTAL CONDITIONS**

**Storage (with no condensation or icing)**

Temperature: -20°C to +65°C max.

Relative humidity: 5% to 85% max.

**Operation (with no condensation or icing)**

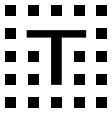
Temperature: 0°C to +50°C max.

Relative humidity: 5% to 80% max.

! Avoid high humidity and high temperatures for long time.

**IP PROTECTION RATE**

IP20



**SCHEMATIC DRAWING**

Installation manual EN



[https://teletask.be/media/3142/tds12022-install\\_en.pdf](https://teletask.be/media/3142/tds12022-install_en.pdf)

Installation manual NL

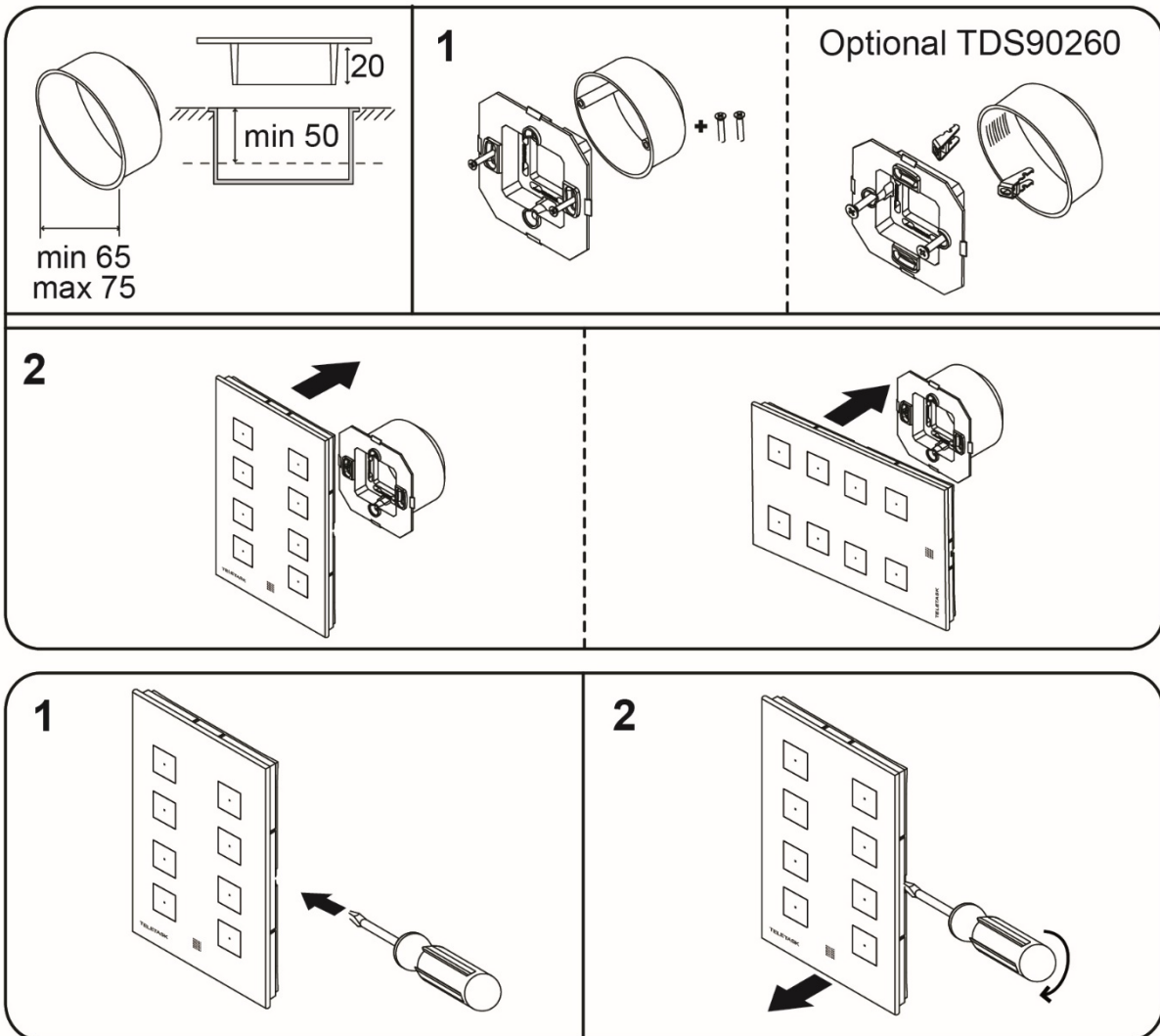
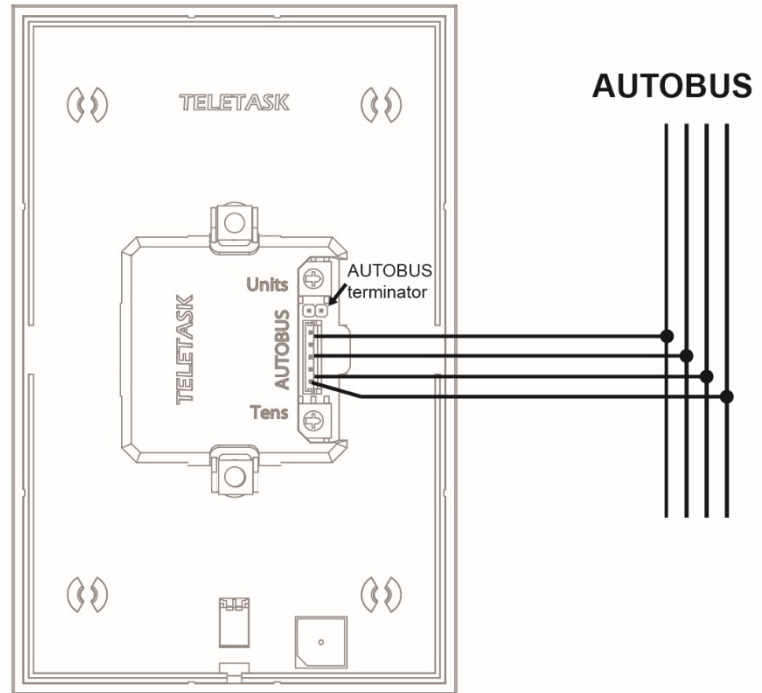


[https://teletask.be/media/3143/tds12022-install\\_nl.pdf](https://teletask.be/media/3143/tds12022-install_nl.pdf)

User manual EN\_NL\_FR



[https://teletask.be/media/2373/user-manual-aurusoled\\_tds12022\\_en-nl-fr\\_v13.pdf](https://teletask.be/media/2373/user-manual-aurusoled_tds12022_en-nl-fr_v13.pdf)





**TDS12032xx**

**AURUS-OLED PLUS touch panel – 4x8 buttons**

AURUS-OLED PLUS is a glass touch panel with eight capacitive sense buttons. It features a hidden menu structure with four customizable pages (two pages are pre-configured as an audio and a temperature control page).

There are eight (night illuminated) feedback LED's, a built-in infrared receiver for remote control, a buzzer and a built-in temperature sensor for room temperature control.

AURUS is available in black, white, gold and aluminium grey versions.

The unit can be mounted in a single wall box or BTicino 506L box as used for the (former) LATUS- and VFD touch panels. Therefore, the AURUS-OLED PLUS is also the perfect upgrade/replacement for the LATUS, LATUS-LCD and VFD touch panels.

TELETASK only uses exclusive safety-glass with ceramic printing, hardened at 800°C for all AURUS family members. Therefore, colour fading is not possible.

**APPLICATION**

AUTOBUS compatible touch panel

**CHARACTERISTICS**

**General**

Solid safety-glass front plate, ceramic background printed and thermal hardened.

8 capacitive sensitive buttons.

Hidden menu structure (3 extra pages of which 2 pre-programmed as audio and temperature page – every page is customizable from out of PROSOFT)

1 hidden “CLEAN” button.

Build-in infrared receiver for remote control (TDS12503).

Build-in temperature sensor for room temperature control (floor heating, ventilation heating, traditional heating and air-conditioning).

Buzzer.

**Order numbers**

TDS12032WH white

TDS12032BL black

TDS12032AU gold

TDS12032LG aluminium-grey

**Cleaning**

To temporary disable the touch buttons, press long on the middle dot on the left of the OLED screen.

Use only dry microfiber cloth. Never use liquids or solvents!

**SETTINGS**

**Configuration**

Via PROSOFT Suite (V3.5.12 or higher).

**AUTOBUS address**

Via rotary switches “Tens” & “Unit”.

**Jumpers**

Terminating resistor (supplied with the central unit). To be used when the interface is at the physical end of the AUTOBUS cable.

**INSTALLATION**

**Standard mounting**

To be mounted with included wall bracket in about any standard single wall box.

Or order the TELETASK standard single wall box for brick walls ref. TDS90000AT. For plaster board or other hollow walls order ref. TDS90000PB.

To be placed in **horizontal position only**.

To remove the AURUS-OLED PLUS after installation, place a flat-head screw driver in the provided slot at the back of the housing. A standard flat-head screw driver of 5x100mm (3/16x4in.) is recommended.

**On-wall mounting**

Use the TDS90035 on-wall box in case of concrete, marble, ... walls, if the standard in-wall solution is not possible.

**Supply voltage**

12V (supplied by the AUTOBUS - minimum 9V). Can be checked in PROSOFT Diagnostics.

**CONNECTIONS**

**AUTOBUS**

AUTOBUS connector set supplied with this unit.

**POWER CONSUMPTION**

Max. 110 mA (all LEDs ON + display ON)

**DIMENSIONS**

205W x 100H x 13,5D (mm) thickness on wall

**NET | GROSS WEIGHT**

0,295 kg | 0,500 kg

**PACKAGING CONTENT**

TDS12032xx interface

AUTOBUS connection set + terminating resistor

Wall bracket + adaptor

**STORAGE**

**Temperature**

-20°C to +65°C

**Relative humidity**

15% to 85%

! Avoid high humidity and high temperatures for long time.

**IP PROTECTION RATE**

IP20

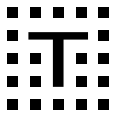
**OPERATING RANGE**

**Temperature**

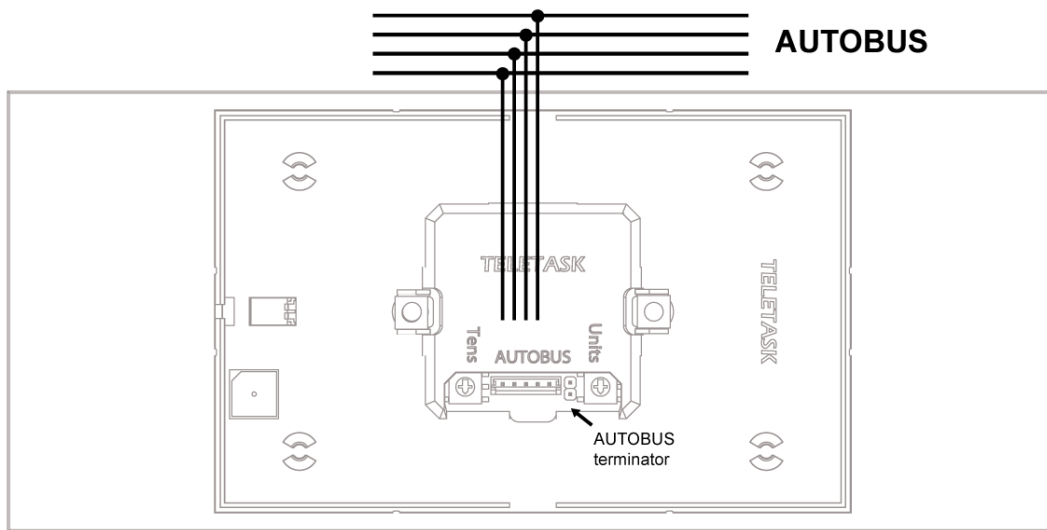
0°C to +50°C max.

**Relative humidity**

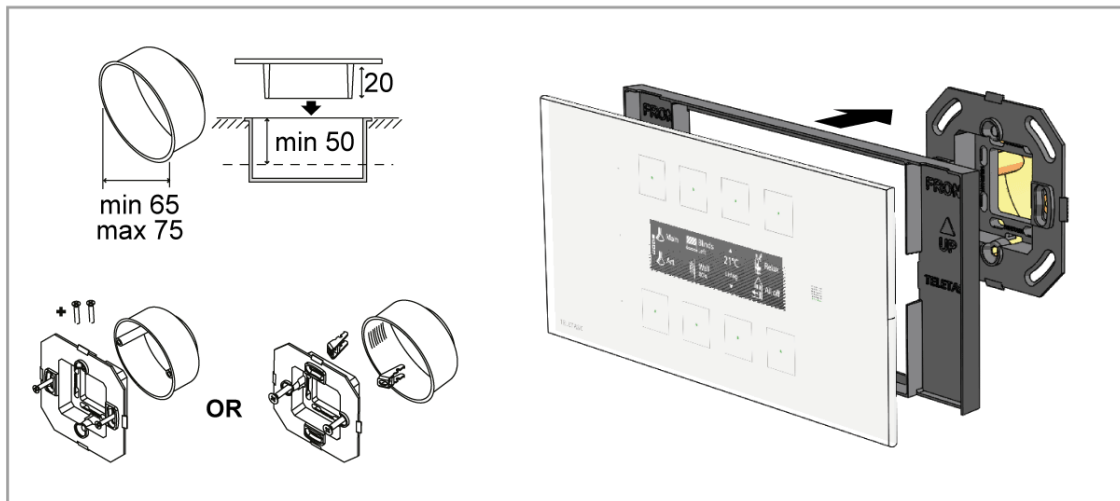
5% to 80% at 25°C (non-condensing ambient)



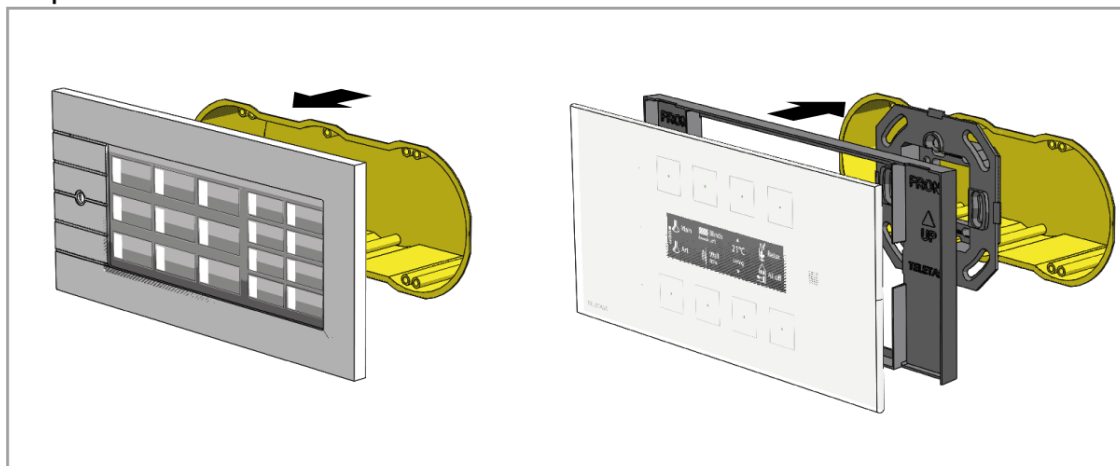
**SCHEMATIC DRAWING**



**New installation**



**Replacement TDS12001/TDS12015/TDS12017**



### TDS12070xx

### OPUS 7" colour touch screen with SIP client



With the OPUS touch screen, you can manage all integrated home- and building automation functions. In addition, the OPUS can also be used as a VoIP-SIP (client) video door phone station. It has a built-in motion detector for fast screen activation.

OPUS integrates all into one single user-friendly device with a 7-inch (17.8cm) high resolution colour touch screen. On top, up to 50 IP cameras can be visualised in full- and quad screen mode. Several other features are available, such as an alarm indicator, intercom, telephone, alarm keypad, etc...

The OPUS can be wall mounted. Optional desktop holder available. This way the OPUS is particularly useful for applications as bed side panel or on an office/reception desk, kitchen worktop, etc...

#### APPLICATION

Touch screen device to control home automation functions, including indoor video door phone, camera monitor, phone, intercom and alarm keypad.

#### CHARACTERISTICS

##### Display

7" Wide LCD touchscreen  
Wide SVGA 1024x600 resolution  
16,2M colour depth

##### Operating system

Android™

##### Camera visualization

Supports RTSP and HTTP(S)  
Codecs: H264, MJPEG-stream

##### Audio

Build-in microphone and speaker.  
VoIP, SIP client  
Audio codecs: G722, PCMA, PCMU, G729, GSM, ILBC, AMR, AMRWB, SPEEX, SPEEXWB, ISACWB, SACS WB, OPUS.

##### Proximity sensor

A built-in motion sensor detects the person when approaching the device and activates the screen when in sleep mode.

##### Touch

Capacitive touch screen (glass surface). Automatic configuration in PROSOFT. Functions and menu's can be customised (per individual OPUS device) to the needs of the customer.

##### Power

Power over ethernet (PoE 802.3af Mode-A or Mode-B).

##### LED feedback

Blue LED for messages and missed phone calls  
Red LED for alarms

##### Reset button (hidden)

Clears configuration data.

##### Cleaning

To temporary disable the touch screen for 30 seconds, press the clean button in settings.

! Use only dry microfiber cloth. Never use liquids or solvents!

#### SETTINGS

##### Configuration

Automatic via PROSOFT Suite (3.7.3 or higher).

#### INSTALLATION

##### Mounting

To be mounted with included wall bracket + metal wall plate on a flat surface over a standard single wall box (circular or rectangular) of 60mm.

Or order the TELETASK standard single wall box for brick walls ref. TDS90000AT. For plaster board or other hollow walls order ref. TDS90000PB.

Optional: Desktop mounting holder ref. TDS12075.

! Remove OPUS manually by holding the device at the bottom and pulling it towards you. Only possible when the locking mechanism is unlocked.

Never use tools like screwdrivers to remove the OPUS device.

##### Anti-theft protection

If required, the OPUS can be protected from dismounting.

##### Mounting height

See the schematic drawing below.

#### CONNECTIONS

##### Ethernet

PoE 802.3af via UTP CAT5e or CAT6

##### Inputs

Contact input for one voltage free bell push button (within 10m cable length).

##### Outdoor Units/SiP server

An up-to-date list of compatible external SiP servers and VoIP outdoor units can be found on [www.teletask.be](http://www.teletask.be) – professional – [Technical Handbook](#).

##### Video door phone camera(s) on OPUS

If you use the OPUS to integrate with a video door phone system, there are some important considerations you will have to make about the outdoor camera visualisation on the OPUS. The end-user will assume that he will be able to see the camera on his OPUS as soon as the ring signal is received.

There are two possible situations:

1. The outdoor system provides in an url camera stream:  
In this case, the OPUS device(s) ask(s) for this video stream as soon as somebody rings and the camera will appear on the OPUS screen.  
Limitation: the maximum nr. of such streams given by the

outdoor unit defines the maximum of (OPUS) devices you can connect to it.

Remark: MJPEG streams have a limited delay compared to RTSP streams which may give a multi-seconds delay in the video image (depending on the outdoor unit brand).

2. The outdoor system provides a video stream through SIP protocol:

In this case the video stream comes together with the audio stream, which gives the advantage that they are both synchronised (= lip syncing). In this case, the used SIP server needs to support 'early media'.

Remark 1: If your SIP server provides early media and you have multiple OPUS screens, you need a SIP server with multiple early media for ring groups. Most SIP servers, unfortunately do not support this video conference feature.  
Remark 2: If the outdoor unit has no url stream (as in chapter 1) for the camera, it will not be possible for the end-user to use the camera when there is no visitor.

Some brands or countries don't allow looking at the camera at all times and therefore block this preview function anyhow, although it is technically possible.

For more details on specific outdoor unit brands, refer to the compatibility list on the TELETASK professional website (on-line technical handbook)

The technical data is for your information only. TELETASK doesn't take any responsibility for possible changes on the given features. We advise testing your full set-up with all evolved equipment before installing.

### POWER CONSUMPTION

#### PoE

Max. 9W (2.5W Standby)

### DIMENSIONS

203 W x 117 H x 17 + 5\* D (mm)

\*Wall Plate

### NET | GROSS WEIGHT

0,38 kg | 1 kg

### PACKAGING CONTENT:

TDS12070 device

Wall bracket (can be ordered as spare part TDS90470)

Wall plate (can be ordered as spare part TDS90471)

4x Wall screw + 4x plug

1x Hex socket screw + 2mm hexagonal tool

Microfiber cloth

### ENVIRONMENTAL CONDITIONS

#### Storage (with no condensation or icing)

Temperature: -20°C to +65°C max.

Relative humidity: 5% to 85% max.

#### Operation (with no condensation or icing)

Temperature: 0°C to +40°C max.

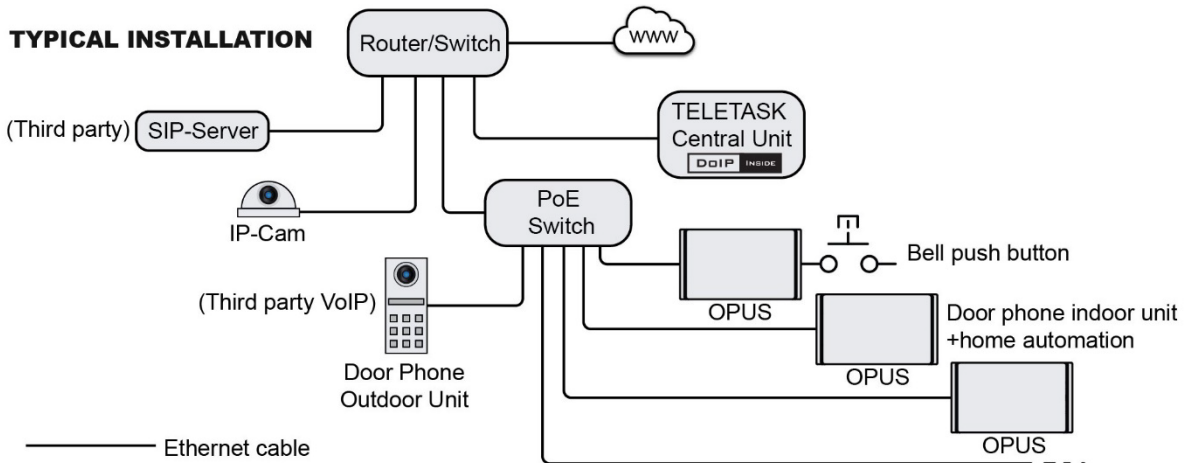
Relative humidity: 5% to 80% max.

### IP PROTECTION RATE

IP20

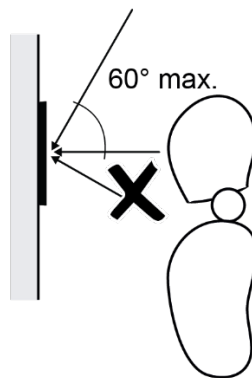
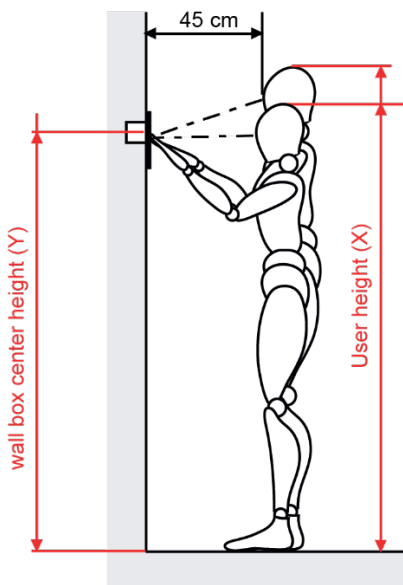


**SCHEMATIC DRAWING EXAMPLE**



See [professional.teletask.be](http://professional.teletask.be) for compatibility check

**INSTALLATION INFORMATION**



X	Age	Y
115<X<125	(6)	110
125<X<135	(8)	120
135<X<145	(10)	130
145<X<155		140
<b>155&lt;X&lt;165</b>		150
<b>165&lt;X&lt;175</b>		160
175<X<185		170
185<X<195		180
195<X<205		190


All values in cm

**Remark:** Top view screen.


**Remark:** Wall box center height (Y) = smallest user height (X) - 5cm

**Remark:** OPUS Center height = wall box center height - 1,1cm.

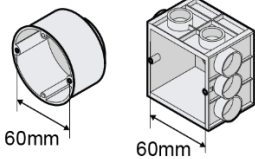
**Remark:** To be able to control the touch screen from out of a wheelchair, the wall box height (Y) should not be higher than 91cm.



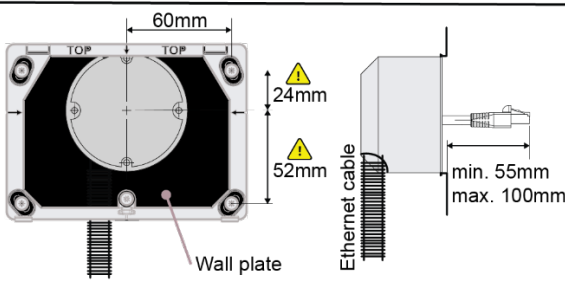
Indoor use



Protect against direct sunlight



60mm 60mm



60mm

24mm

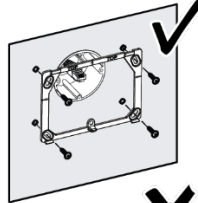
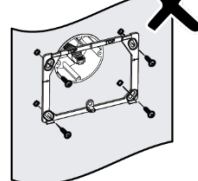
52mm

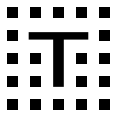
Wall plate

Ethernet cable

min. 55mm max. 100mm

⚠ Installation on flat surfaces only  
Use original wall plate



**TDS12064xx**

**AURUS-TFT 4.3"**



The TELETASK AURUS-TFT features a 4.3" colour wide screen touch panel with LED backlighting. Connection to AUTOBUS makes it a full featured central control panel, including IP camera view due to the Ethernet connection. In combination with the design phone (TDS20101), this touch screen also becomes an indoor unit of your analog- or IP- door video phone system.

AURUS-TFT 4.3" is a capacitive touch screen on 100% glass front plate, available in a variety of colours. The printing is ceramic hardened at 800°C and full sun- resistant for decades. Full control of all Home Automation functions on a small but very powerful touch screen. The slick design allows the AURUS-TFT 4.3" to be built into a single wall box and can be exchanged with the other AURUS- family members at any time the customer want. Flush mounting also possible (TDS90030).

**APPLICATION**

Build-in touch screen used to control all home automation function, including camera & video solutions.

**CHARACTERISTICS**

**Front panel**

Solid safety-glass front plate. Hardened glass in different available colours.

**Display**

4,3" Wide screen (QWVGA 480x272, 16K colours), full colour TFT LCD with LED backlighting.

**Camera visualization**

Supports IP cameras with Motion JPEG (MJPEG) encoding (Still Image or Streaming) via HTTP protocol (URL must be available). Must be tested before use. Password protection is supported.

**Touch**

Full touch screen. Unlimited buttons & configurations.

**IR**

Build-in infrared receiver for remote control (TDS12503).

**Order ref.**

TDS12064BL	Black
TDS12064WH	White
TDS12064LG	Aluminium grey
TDS12064AU	Gold

**Power**

No external power supply needed.

**Cleaning**

To temporary disable the touch screen, press the clean (wiper) button on the 'Home' or 'Favourites' screen.

! Use only dry microfiber cloth. Never use liquids or solvents!

**SETTINGS**

**Configuration**

Via PROSOFT Suite 3.3 or higher.

**AUTOBUS address**

Via AURUS-TFT graphical user interface ("configuration" menu). The AURUS-TFT uses only 1 AUTOBUS address. Technical code = 09876

**Jumpers**

Terminating resistor (supplied with the central unit). To be used when the interface is at the physical end of the AUTOBUS cable.

**INSTALLATION**

**Standard mounting**

To be mounted horizontal with included wall bracket in about any standard single wall box. Or order the TELETASK standard single wall box for brick walls ref. TDS90000AT. For plaster board or other hollow walls order ref. TDS90000PB. To remove the AURUS-TFT, place a flat-head screw driver in the provided slot at the back of the housing. A standard flat-head screw driver of 5x100mm (3/16x4in.) is recommended.

**Flush mounting**

Use Flush mounting box TDS90030 for flat mounting. For hollow walls this has to be combined with Alu frame TDS90031.

**On-wall mounting**

Use the TDS90035 on-wall box in case of concrete, marble, ... walls, if the standard in-wall solution is not possible.

**Sealed on-wall box**

TDS90037 is to be used as a preventive action to discourage unauthorized use of the touch panel and to protect against dust, waterdrops, water sprays, ....

**Height**

Centre of the AURUS-TFT = length user - 25cm.

**Supply voltage**

12V (supplied by the AUTOBUS - minimum 9V).

**CONNECTIONS**

**AUTOBUS**

By enclosed AUTOBUS connector set.

**Ethernet**

RJ45 connector (only needed to display cameras).

**POWER CONSUMPTION**

160mA max.

**DIMENSIONS**

140 W x 90 H x 18 D (mm) thickness on wall

**NET | GROSS WEIGHT**

0,235 kg | 0,420 kg

**PACKAGING CONTENT**

TDS12064xx interface + Wall bracket  
AUTOBUS connection set + terminating resistor

**ENVIRONMENTAL CONDITIONS**

**Storage (with no condensation or icing)**

Temperature: -20°C to +65°C max.  
Relative humidity: 5% to 85% max.

**Operation (with no condensation or icing)**

Temperature: 0°C to +50°C max.  
Relative humidity: 5% to 80% max.

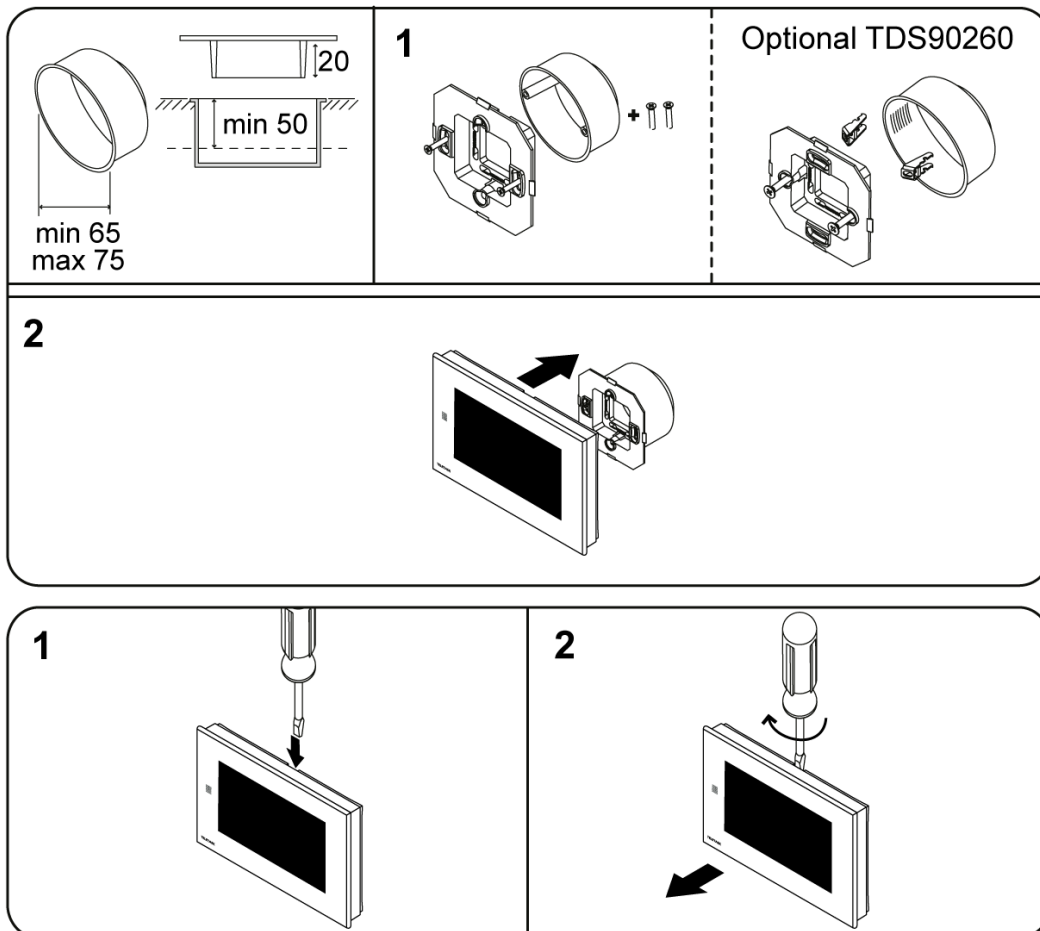
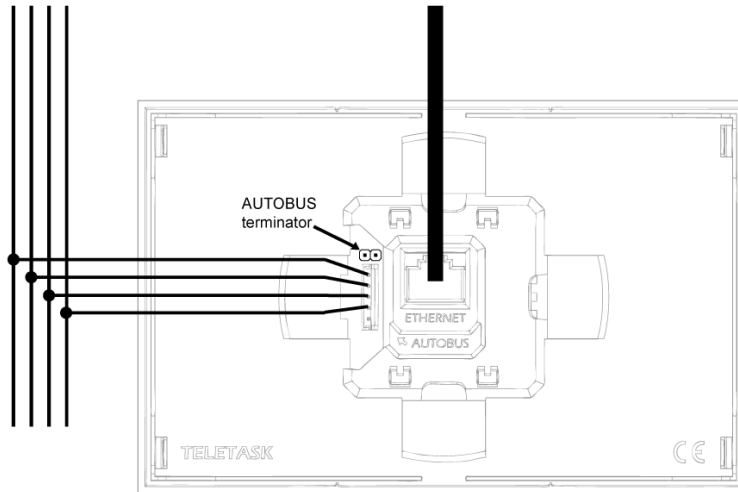
**IP PROTECTION RATE**

IP20

**SCHEMATIC DRAWING**

**AUTOBUS**

**ETHERNET (needed for IP camera)**



## TDS12051CA

## MAIOR 10" Capacitive colour touch screen



The TELETASK MAIOR capacitive touch screen is both large and compact. It is the perfect mix to have a compact touch screen with features usually only available on large touch screens. The unit is a Windows 10 IoT Enterprise embedded touch panel with high-speed flash drive 60GB.

It is made to run TELETASK GUI+ graphical user interface, which contains all necessary software functions. Due to GUI+ all Home Automation features are available.

### APPLICATION

It is made to run TELETASK GUI+ graphical user interface, which contains all necessary software functions.

### CHARACTERISTICS

#### General

Windows 10 IoT Enterprise embedded touch panel.

#### Processor

Fanless low consumption Intel® Celeron N2930, Quad-Core 1,83 GHz CPU with int. graphics ctrl.

#### Memory

High speed flash drive 60GB  
2GB DDR3L SDRAM.

#### Display

10,1" widescreen LED backlight TFT.  
WSVGA 1024x600.

Capacitive Touch technology.  
Antibacterial surface coating prevents the reproduction of bacteria and fungal cultures.

#### Camera visualization

Supports IP cameras with Motion JPEG (MJPEG) encoding (Still Image or Streaming) via HTTP protocol (URL must be available). Must be tested before use. Password protection is supported.

For any other types of camera, use the browser function.

#### Multimedia

Speaker and microphone included with echo cancellation.

#### User Interface

TDS15105 GUI+ (included)

### SETTINGS

#### Configuration

Via PROSOFT Suite 3.2 or higher.

#### DoIP

IP connection to DoIP Central Unit

### INSTALLATION

Wall box TDS ref TDS90055

### CONNECTIONS

#### IP

RJ-45 Connection to LAN network.

#### USB

3x USB 2.0 (2x front accessible, 1x rear)

#### Power

220V

### POWER CONSUMPTION

Max. 20 Watt (100 to 240VAC, 50Hz to 60Hz)

### DIMENSIONS

#### Unit + Front plate

333 W x 200 H x 80 D (mm)

#### Wall box (TDS90055)

315 W x 182 H x 80 D (mm)

#### Cut-out dimensions wall box (TDS90055)

320 W x 190 H x 85 D (mm)

### NET | GROSS WEIGHT

#### Unit + front plate

5 kg | 6,5 kg

#### Wall box (TDS90055)

1,9 kg | 2,4 kg

### PACKAGING CONTENT

TDS12051CA MAIOR 10" + front panel  
TDS15105 GUI+ license included (preinstalled)

### STORAGE

#### Temperature

-20°C to +65°C

#### Relative humidity

15% to 85%

### IP PROTECTION RATE

IP20

### OPERATING RANGE

#### Temperature

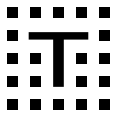
0°C to +30°C max.

#### Relative humidity

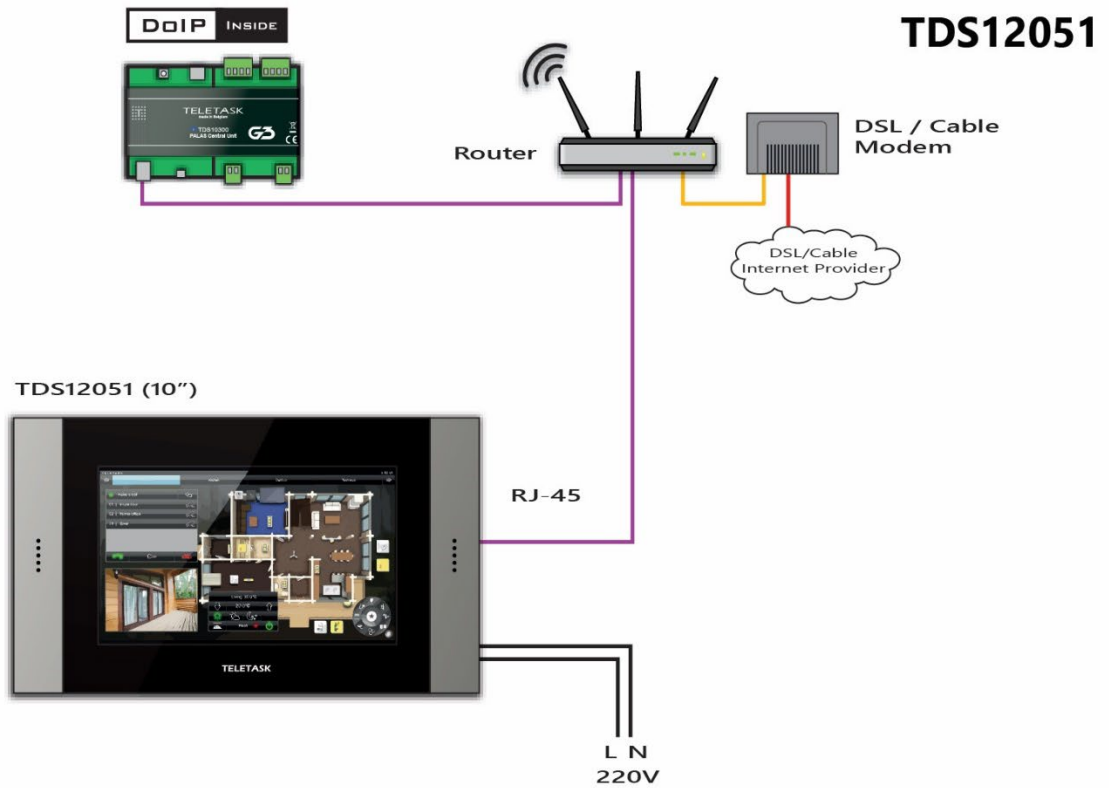
5% to 80% at 25°C (non-condensing ambient)

### LIMITED WARRANTY

2 years



**SCHEMATIC DRAWING**



### TDS12052CA

### MAIOR 15" Capacitive colour touch screen



The TELETASK MAIOR capacitive touch screen is both large and compact. It is the perfect mix to have a compact touch screen with features usually only available on large touch screens. The unit is a Windows 10 IoT Enterprise embedded touch panel with high speed flash drive of 60GB.

It is made to run TELETASK GUI+ graphical user interface, which contains all necessary software functions. Due to GUI+ all Home Automation features are available, including VoIP door phone interface (optional hardware components apply).

#### APPLICATION

It is made to run TELETASK GUI+ graphical user interface, which contains all necessary software functions.

#### CHARACTERISTICS

##### General

Windows 10 IoT Enterprise embedded touch panel.

##### Processor

Fanless low consumption Intel® Celeron N2930, Quad-Core 1,83 GHz CPU with int. graphics ctrl.

##### Memory

High speed flash drive 60GB  
4GB DDR3L SDRAM.

##### Display

15,6" widescreen LED backlight TFT.  
WXGA (1366x768).

Capacitive Touch technology.

Antibacterial surface coating prevents the reproduction of bacteria and fungal cultures.

##### Camera visualization

Supports IP cameras with Motion JPEG (MJPEG) encoding (Still Image or Streaming) via HTTP protocol (URL must be available). Must be tested before use. Password protection is supported.

For any other types of camera, use the browser function.

##### Multimedia

Speaker and microphone included with echo cancellation.

##### SIP Server (build-in)

To connect max. 2 MAIORS & 2 door phones.

In installation with more than 2 MAIOR touch screens, use dedicated external SIP server.

##### User Interface

TDS15105 GUI+ (included)

#### SETTINGS

##### Configuration

Via PROSOFT Suite 3.2 or higher.

##### DoIP

IP connection to DoIP Central Unit

#### INSTALLATION

Wall box TDS ref TDS90056

#### CONNECTIONS

##### IP

RJ-45 Connection to LAN network.

##### USB

4x USB 2.0 (2x front accessible, 2x rear)

##### Power

220V

#### POWER CONSUMPTION

Max. 50 Watt (100 to 240VAC, 50Hz to 60Hz)

#### DIMENSIONS

##### Unit + Front plate

510 W x 306 H x 80 D (mm)

##### Wall box (TDS90056)

492 W x 288 H x 80 D (mm)

##### Cut-out dimensions wall box (TDS90056)

500 W x 295 H x 85 D (mm)

#### NET | GROSS WEIGHT

##### Unit + front plate

6,2 kg | 7,9 kg

##### Wall box (TDS90056)

2,1 kg | 2,6 kg

#### PACKAGING CONTENT

TDS12052CA MAIOR 15" + front panel

TDS15105 GUI+ license included (preinstalled)

#### STORAGE

##### Temperature

-20°C to +65°C

##### Relative humidity

15% to 85%

#### IP PROTECTION RATE

IP20

#### OPERATING RANGE

##### Temperature

0°C to +30°C max.

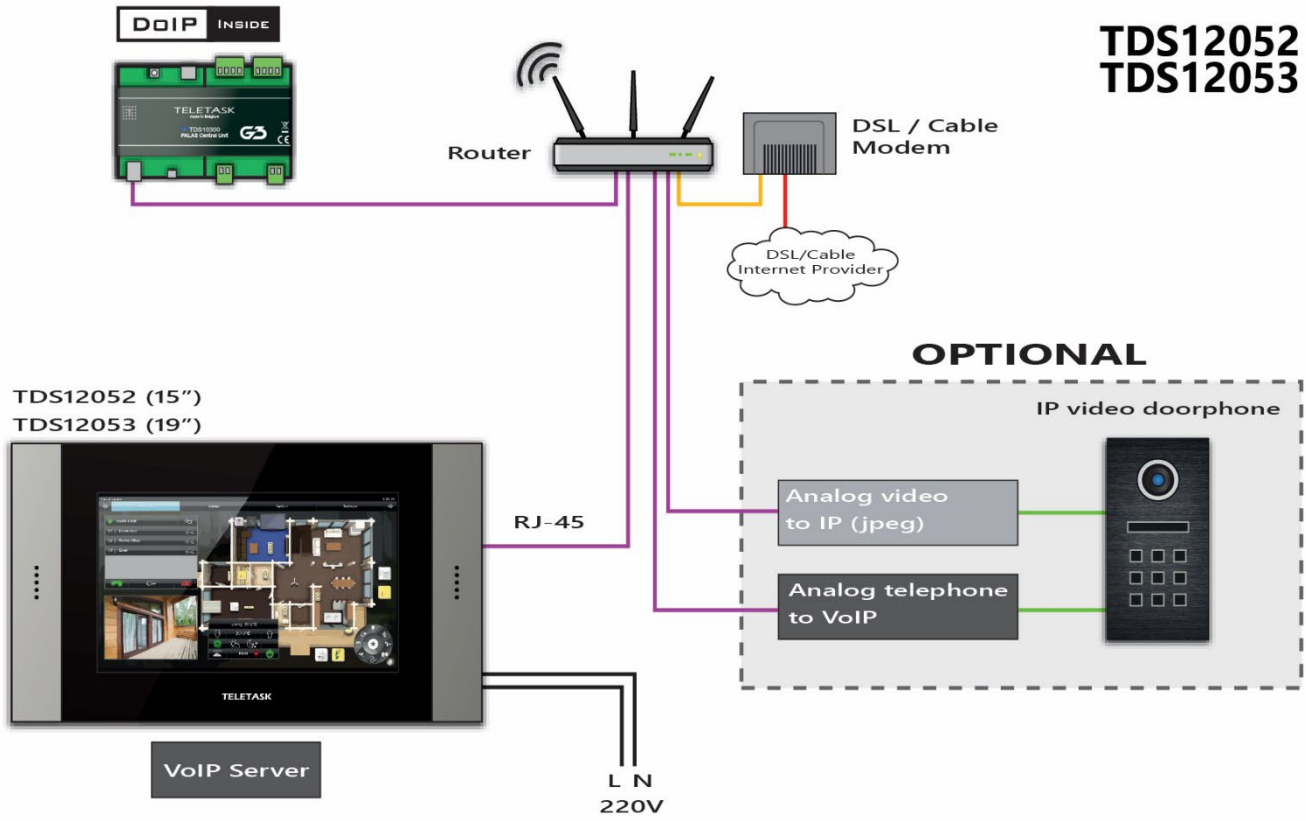
##### Relative humidity

5% to 80% at 25°C (non-condensing ambient)

#### LIMITED WARRANTY

2 years

**SCHEMATIC DRAWING**



## TDS12053CA

## MAIOR 19" Capacitive colour touch screen



The TELETASK MAIOR capacitive touch screen is both large and compact. It is the perfect mix to have a compact touch screen with features usually only available on large touch screens. The unit is a Windows 10 IoT Enterprise embedded touch panel with a high-speed flash drive of 60GB.

It is made to run TELETASK GUI+ graphical user interface, which contains all necessary software functions. Due to GUI+ all Home Automation features are available, including VoIP door phone interface (optional hardware components apply).

### APPLICATION

It is made to run TELETASK GUI+ graphical user interface, which contains all necessary software functions.

### CHARACTERISTICS

#### General

Windows 10 IoT Enterprise embedded touch panel

#### Processor

Fanless low consumption Intel® Celeron N2930, Quad-Core 1,83 GHz CPU with int. graphics ctrl.

#### Memory

High speed flash drive 60GB  
4GB DDR3L SDRAM.

#### Display

18,5" widescreen LED backlight TFT.  
WXGA (1366x768).

Capacitive Touch technology.  
Antibacterial surface coating prevents the reproduction of bacteria and fungal cultures.

#### Camera visualization

Supports IP cameras with Motion JPEG (MJPEG) encoding (Still Image or Streaming) via HTTP protocol (URL must be available). Must be tested before use. Password protection is supported.

For any other types of camera, use the browser function.

#### Multimedia

Speaker and microphone included with echo cancellation.

#### SIP Server (build-in)

To connect max. 2 MAIORS & 2 door phones.  
In installation with more than 2 MAIOR touch screens, use dedicated external SIP server.

#### User Interface

TDS15105 GUI+ (included).

### SETTINGS

#### Configuration

Via PROSOFT Suite 3.2 or higher.

#### DoIP

IP connection to DoIP Central Unit

### INSTALLATION

Wall box TDS ref TDS90057

### CONNECTIONS

#### IP

RJ-45 Connection to LAN network.

#### USB

4x USB 2.0 (2x front accessible, 2x rear)

#### Power

220V

### POWER CONSUMPTION

Max. 50 Watt (100 to 240VAC, 50Hz to 60Hz)

### DIMENSIONS

#### Unit + Front plate

600 W x 345 H x 80 D (mm)

#### Wall box (TDS90057)

582 W x 327 H x 80 D (mm)

#### Cut-out dimensions wall box (TDS90057)

590 W x 330 H x 85 D (mm)

### NET | GROSS WEIGHT

#### Unit + front plate

7,1 kg | 8,8 kg

#### Wall box (TDS90057)

2,7 kg | 3,3 kg

### PACKAGING CONTENT

TDS12053CA MAIOR 19" + front panel  
TDS15105 GUI+ license included (preinstalled)

### STORAGE

#### Temperature

-20°C to +65°C

#### Relative humidity

15% to 85%

### IP PROTECTION RATE

IP20

### OPERATING RANGE

#### Temperature

0°C to +30°C max.

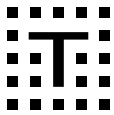
#### Relative humidity

5% to 80% at 25°C (non-condensing ambient)

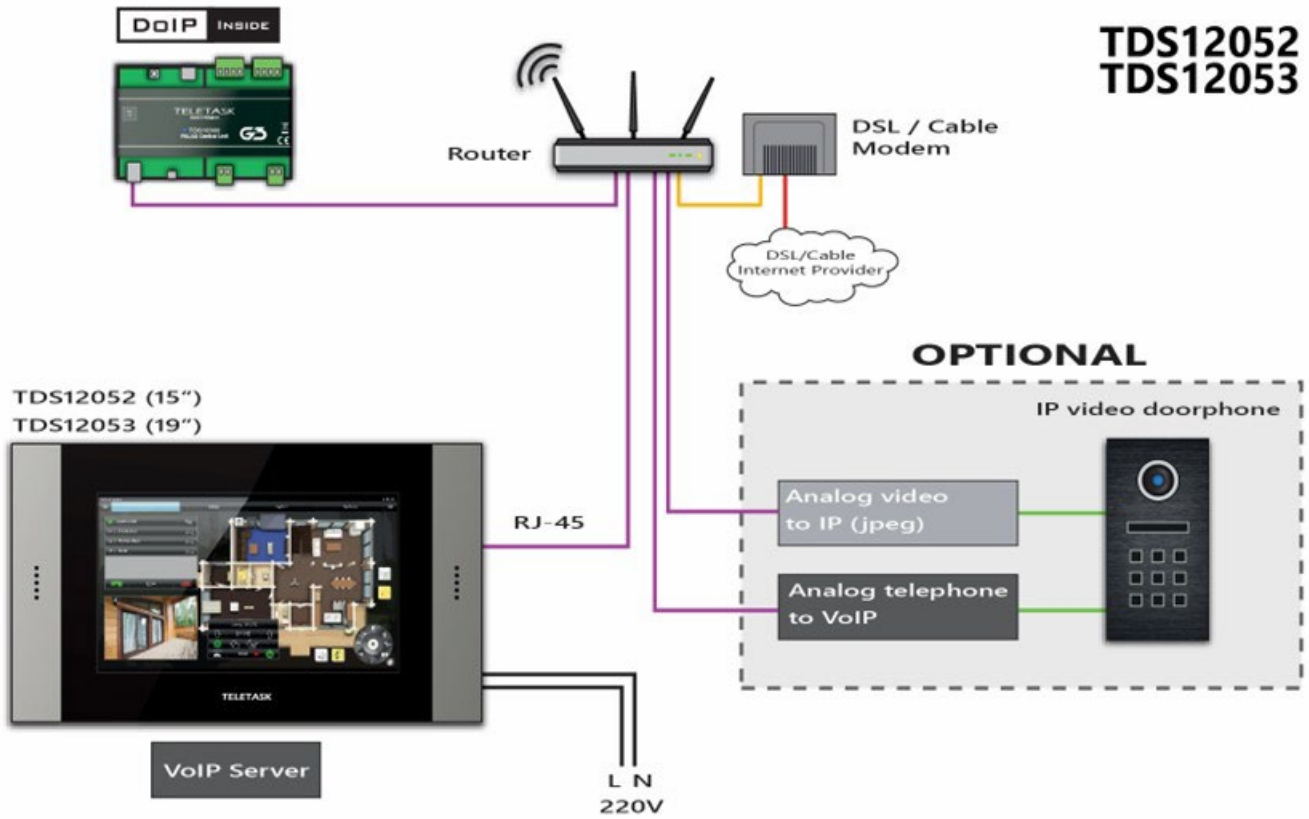
### LIMITED WARRANTY

2 years





**SCHEMATIC DRAWING**





## TDS12142xx

## Proximity reader

The TELETASK proximity reader is an AUTOBUS interface which gives secured access. An access card or key tag, held briefly in front of the proximity reader, gives access (if allowed). Beside of unlocking a door or opening a gate, the system can activate any other home automation function. The person can be in the system as a member of a group like 'family', 'employee', 'gardener', etc. ...which all have specific group rights and additional functions. The door opens and specific lights are activated (if dark), room temperature settings can be changed, wall sockets activated, email /SMS sent to xyz, etc... TELETASK offers security with extra smart controls and access logging information stored for later use in a computer sheet (e.g. employee registration)..

### APPLICATION

For a safe contactless access control in combination with any other control of a domotic function. Cards and key holder TAGs can have limited access: between certain hours of the days, only on certain days or any other condition that you want.

### CHARACTERISTICS

#### General

The proximity reader fits the needs and protection for indoor installation. In outdoor application it is necessary to seal the back with silicone (between back and wall) against water infiltration at the AUTOBUS connector.

Adding, deleting and changing the access parameters of each proximity card/TAG is possible using PROSOFT V2.74 or higher (with the integrated CARDSOFT software).

#### Cleaning

Use only dry microfiber cloth. Never use liquids or solvents!

#### LED Feedback

TDS12142xx Connected: LED blinks slowly  
Connection error: LED blinks fast  
Card or TAG detected: LED will be ON for 2 sec

#### The PORTA app

All access events are logged in real time and stored in the central unit memory. With the access app (PORTA or replaced by ATMOS app from Q4 2022), the owner can check the given and denied access events on his smartphone, tablet and pc. The PORTA app gives you all the necessary access information.

! For privacy reasons, by default, the family members are not logged by the TELETASK system, but you can activate the access log of individuals when you like.

! Important: The local privacy regulations need to be checked by the system integrator to make sure that the individual app configuration complies with them.

#### Configuration

Via PROSOFT Suite 2.74 or higher.

#### AUTOBUS address

Through rotary switches Tens + Units

#### Jumpers

Terminating resistor (supplied with the central unit). To be used when the interface is at the physical end of the AUTOBUS cable.

### INSTALLATION

On-wall mounting in front of any wall box or hole, to contain the AUTOBUS cable and connector.

When the proximity reader is placed in unsheltered outside locations it is necessary to add silicone between the wall and the housing as shown in the mounting drawing.

! This proximity reader auto calibrates itself immediately after power up. Therefore, always disconnect the (central) AUTOBUS for 5 seconds after final installation without removing the device from the wall.

! The mounting distance between two proximity readers should be 1 meter minimal. Also when two readers are placed back-to-back on a wall, this is an important minimum.

### SETTINGS

#### Jumpers

Jumpers Terminating resistor (supplied with the central unit). To be used when the interface at the physical end of the AUTOBUS cable.

### CONNECTIONS

#### AUTOBUS

AUTOBUS connector set + (supplied with the interface). 12V (supplied by the AUTOBUS - minimum 9V). Can be checked in PROSOFT diagnostics.

### POWER CONSUMPTION

Max. 50 mA

### DIMENSIONS

#### TDS12142PN

115 H x 115 W x 15 D (mm) (on top of the wall)  
Radius edges: 13mm

#### TDS12142GL and TDS12142GB

115 H x 115 W x 18 D (mm) (on top of the wall)  
Radius edges: 13mm

### NET | GROSS WEIGHT

#### TDS12142PN

0,137 | 0,247 kg

#### TDS12142GL and TDS12142GB

0,147 | 0,257 kg

### PACKAGING CONTENT

TDS12142xx  
AUTOBUS connector set

### STORAGE

#### Temperature

-20°C to +65°C

#### Relative humidity

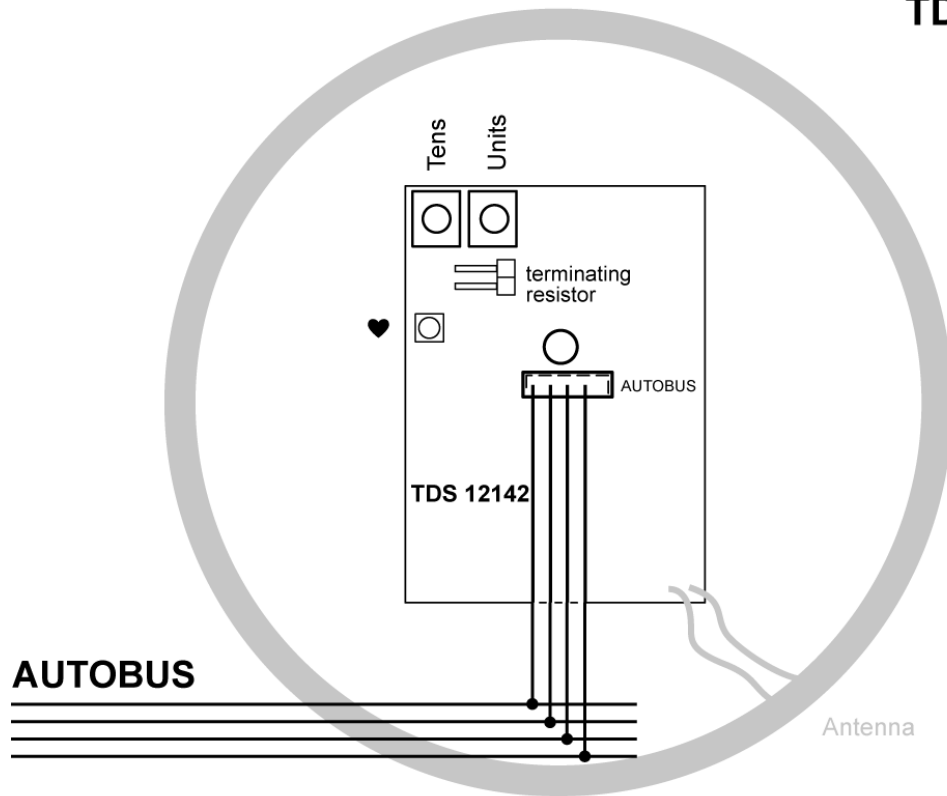
15% to 85%

**IP PROTECTION RATE**

IP44 (Follow the mounting instructions to seal the housing at the correct way!)

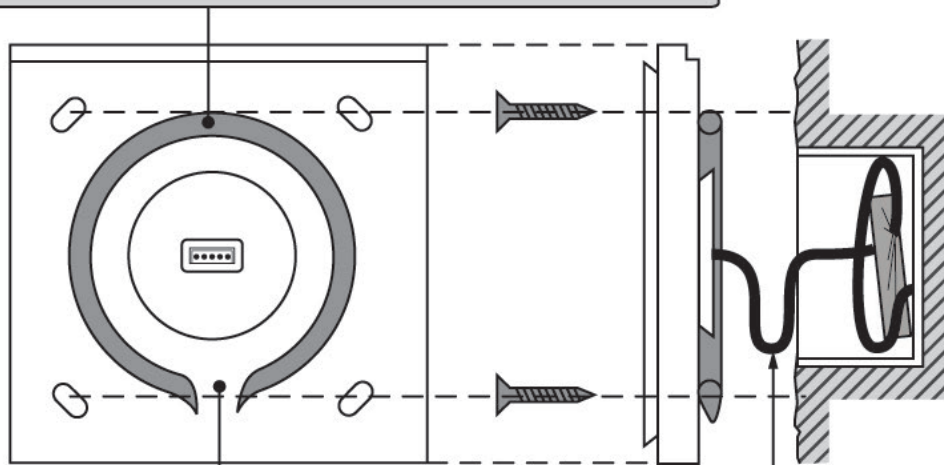
**SCHEMATIC DRAWING**

**TDS 12142**



When TDS12142 is placed outside at an unsheltered location, you need to seal the housing at the back by adding silicone between the wall and the back, before mounting it on the wall.

**TDS12142**

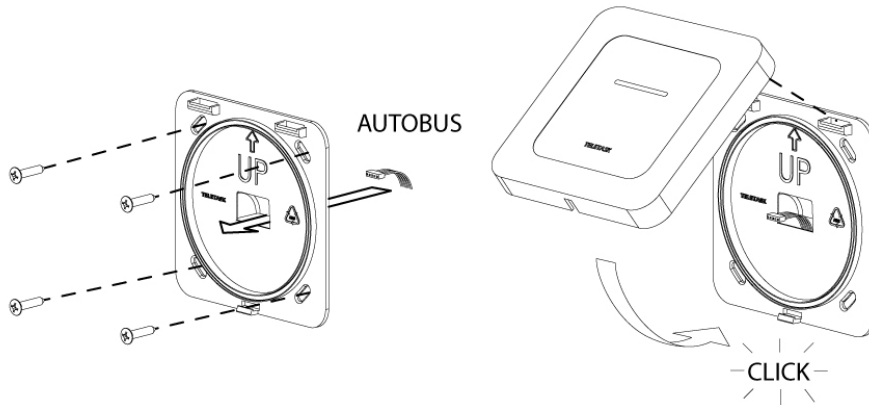


Leave an opening at the bottom of the silicone ring against condensation.

Make sure the cabling makes a down oriented U-turn before the connector is connected to the print.

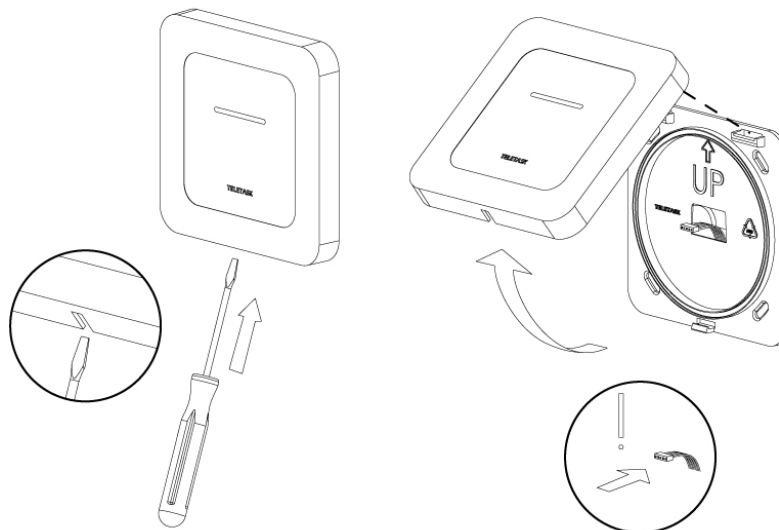
**INSTALLATION**

TDS12142

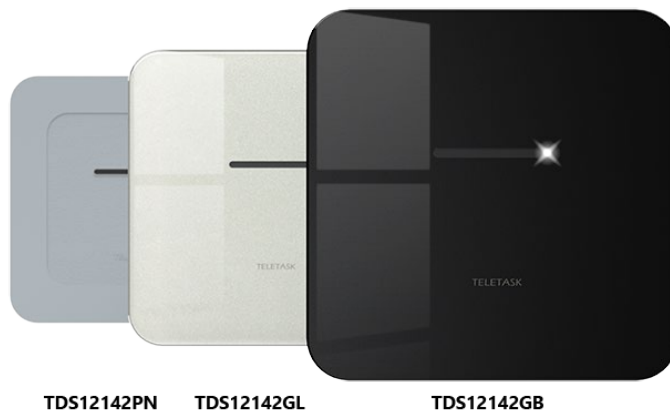


**DISASSEMBLY**

TDS12142



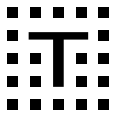
**PRODUCT FAMILY**



TDS12142PN

TDS12142GL

TDS12142GB



## **E. INPUT INTERFACES**



**TDS12117**

**Digital input interface with 16**

**inputs**

The digital input interface TDS12117 has 16 input channels for all kinds of voltage free contacts, to be used as inputs to the system. The contacts can be from standard wall mounted push buttons, motion and presence sensors, door and window contacts, contact from burglar and fire alarm systems, rain sensors, etc. Additionally, the digital input interface is able to receive pulse counter inputs. This is used to measure inputs from energy meters, to measure electrical power consumption or production (PV panels), gas, water, precipitation, wind speed, etc... This is an AUTOBUS connected interface with power over AUTOBUS like almost every TELETASK interface.

**APPLICATION**

Interface for the connection of 16 digital inputs on the AUTOBUS.

**CHARACTERISTICS**

**Inputs**

For 16 voltage free input.  
The output impedance of the connected device must be  $\leq 1k\Omega$  when closed.  
Cable: max. 100m, min. 0,22 mm<sup>2</sup>  
For pulse meter: max. cable length 5m, max. 5 pulses/sec.

**Heart beat LED**

This LED reflects the working of the processor, the change of an input status and the communication with AUTOBUS and the central unit.

**SETTINGS**

**Configuration**

Via PROSOFT Suite (3.6.18 or higher).

**AUTOBUS address**

Trough rotary switches Tens + Units.

**Jumpers**

Terminating resistor (supplied with the central unit). To be used when the interface is at the physical end of the AUTOBUS cable.

**INSTALLATION**

**DIN-rail mounting**

3 modules wide

**CONNECTIONS**

**AUTOBUS**

AUTOBUS connector set + patch cable (supplied with the central unit). 12V (supplied by the AUTOBUS - minimum 9V). Can be checked in PROSOFT diagnostics.

**Inputs**

16x voltage free input.  
Screw terminals; max. 4mm<sup>2</sup> (solid) (AWG 12) or 2,5mm<sup>2</sup> (stranded) (AWG 14).

**POWER CONSUMPTION**

Max. 30 mA

**DIMENSIONS**

54 W x 90 H x 60 D (mm)

**NET | GROSS WEIGHT**

0,110 | 0,230 kg

**PACKAGING CONTENT**

TDS12117 interface  
AUTOBUS connector set + terminating resistor  
AUTOBUS Patch cable

**STORAGE**

**Temperature**

-20°C to +65°C

**Relative humidity**

15% to 85%

**IP PROTECTION RATE**

IP20

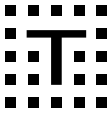
**OPERATING RANGE**

**Temperature**

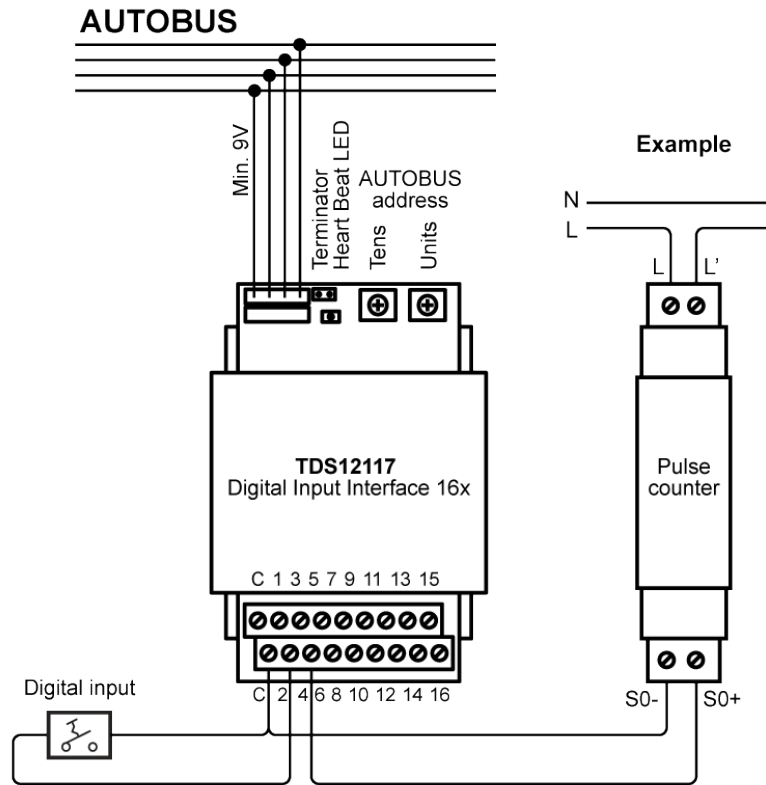
0°C to +50°C max.

**Relative humidity**

5% to 85% at 25°C (no humidity/condense)



**SCHEMATIC DRAWING**





### TDS12134

### COOKIE interface with 4 x digital input

Miniature AUTOBUS input interface with four voltage free contact inputs. The inputs can be used to connect standard push buttons and any other voltage free contacts like a window contact, etc..

The compact AUTOBUS interface can be installed in about any type of wall- or junction box.

#### APPLICATION

Digital input interface to connect up to four (normal- open or closed) voltage free contacts.

#### CHARACTERISTICS

4 x voltage free contacts (low frequency; max. 0.5Hz)

#### SETTINGS

##### **Configuration**

Via PROSOFT V3.8.1.4 or higher.

##### **AUTOBUS address**

Via two rotary switches "tens" & "units".

##### **Jumper**

Terminating resistor (supplied with the central unit). To be used when the interface is at the physical end of the AUTOBUS cable.

#### INSTALLATION

In a wall box or comparable junction box, like for example behind a standard push button or quad push-button unit. Indoor use only.

##### **Supply voltage**

12V supplied by the AUTOBUS (minimum 9V). Can be checked in PROSOFT Diagnostics / interfaces.

#### CONNECTIONS

##### **AUTOBUS**

AUTOBUS connector set (supplied with the interface). See below for the connection scheme.

##### **Inputs**

Eight spring contacts for 4 x voltage free contact connection. Recommended wire section 0,75 or 1mm<sup>2</sup>; max 1,5mm<sup>2</sup> (16 AWG)

#### POWER CONSUMPTION

##### **AUTOBUS**

Min 10mA – Max 13mA

#### DIMENSIONS

42 W x 42 H x 16 D (mm)

#### NET | GROSS WEIGHT

0,018kg | 0,045kg

#### PACKAGING CONTENT:

1 x TDS12134 interface  
AUTOBUS connector set

#### ENVIRONMENTAL CONDITIONS

##### **Storage (with no condensation or icing)**

Temperature: -20°C to +65°C max.  
Relative humidity: 5% to 85% max.

##### **Operation (with no condensation or icing)**

Temperature: 0°C to +50°C max.  
Relative humidity: 5% to 80% max.

#### IP PROTECTION RATE

IP20

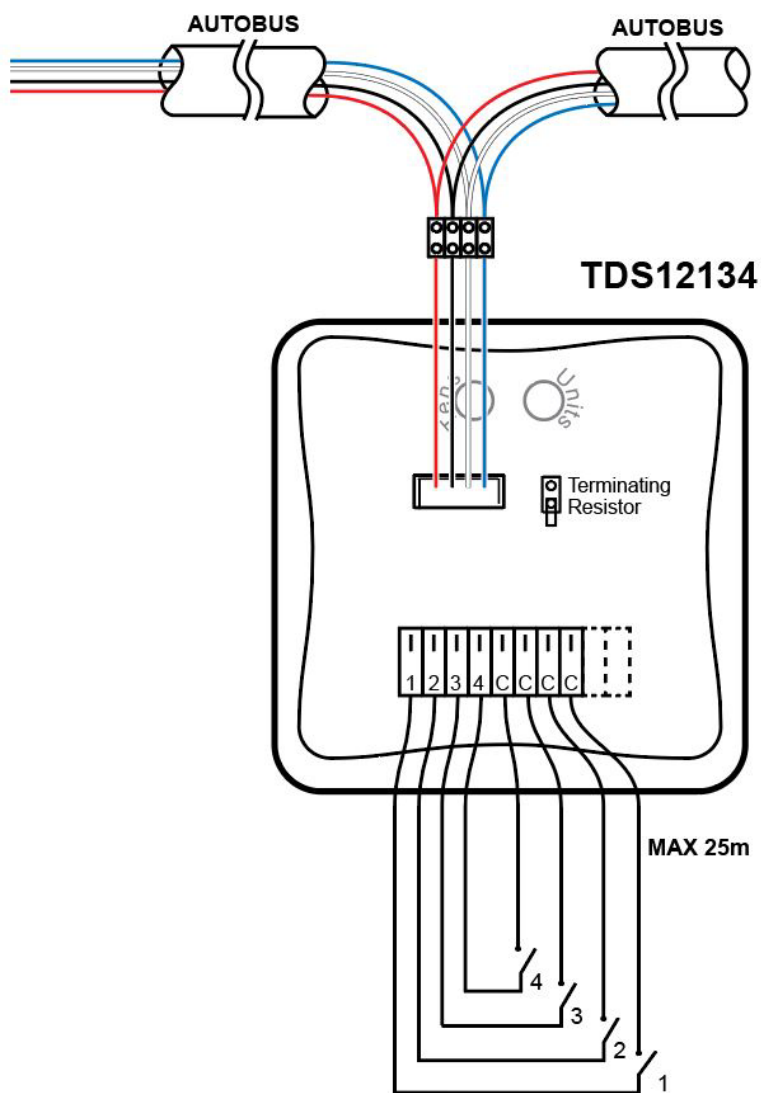
#### LIMITED WARRANTY

Four years





**SCHEMATIC DRAWING**





### TDS12135 COOKIE digital input interface with LED feedback and PT100 input

Miniature input interface with four voltage free contact inputs and four outputs for feedback LED's and one PT100 analog input for room temperature measurement. The four inputs can be used to connect standard push button contacts and any other Voltage free contact like door- or window contacts, etc.

The TDS12135 is particularly useful when the connected (custom) panel buttons have a built-in LED and an opening for a PT100 room temperature sensor. The feedback LED will be lit when the configured PROSOFT function is ON (true) and OFF when not (false).

The interface is small enough to be built-in about any type of wall box and can be connected to the TELETASK AUTOBUS with the supplied connector set.

#### APPLICATION

Digital input interface for up to four buttons with built-in low current LED's. In addition, there is a room temperature PT100 input for custom-built switch panel applications.

The TDS12135 can also be used only for 2-wire PT100 integration. The sensor wires can be max. 20cm. If the distance is longer, you can use the COOKIE-AD ref TDS12301 instead (PT100 3-wire application).

#### CHARACTERISTICS

**Contact inputs:** Four voltage free contacts (low frequency; max 0.5Hz).

**LED-outputs:** Possibility to connect four low current LED's. (Current through LED's is limited to 5mA.: no series resistor is needed).

**PT100 input:** for a 2-wire PT100 room temperature sensor

#### SETTINGS

##### Configuration

Via PROSOFT V3.8.1.4 or higher.

##### AUTOBUS address

Via two rotary switches "Tens" & "units".

##### Jumper

Terminating resistor (supplied with the central unit). To be used when the interface is at the physical end of the AUTOBUS cable.

#### INSTALLATION

In a wall box or comparable junction box, like for example behind a standard push button. Indoor use only.

**Important:** if you use the PT100 input, be sure that the sensor is in the room air flow and doesn't touch the wall or mechanical construction/front plate of the custom switch panel. If necessary, the measured temperature can be compensated +/- 5°C in PROSOFT.

##### Supply voltage

12V supplied by the AUTOBUS (minimum 9V). Can be checked in PROSOFT Diagnostics/interfaces.

#### CONNECTIONS

##### AUTOBUS

AUTOBUS connector set (supplied with the interface).

##### Inputs / Outputs

Ten spring contacts for four contact and four feedback LED's + 2 for the PT100 sensor. See below for the connection scheme.

Recommended wire section 0,75 mm<sup>2</sup> (20 AWG) or 1mm<sup>2</sup> (18 AWG); max 1,5mm<sup>2</sup> (16 AWG)  
Maximum wire length to the button: 2 meter  
Maximum wire length to the PT100: 20cm

The feedback LED's can be powered by AUTOBUS (red wire) Max. 12V or Max. 24V via separate wire. See below for the connection scheme.

#### POWER CONSUMPTION

##### AUTOBUS

Min 13mA – Max 34mA (All LED's ON at 5mA)

#### DIMENSIONS

42 W x 42 H x 16 D (mm)

#### NET | GROSS WEIGHT

0,020kg | 0,047kg

#### PACKAGING CONTENT:

TDS12135 interface  
AUTOBUS connector set  
(LED's and PT100 not included)

#### ENVIRONMENTAL CONDITIONS

##### Storage (with no condensation or icing)

Temperature: -20°C to +65°C max.  
Relative humidity: 5% to 85% max.

##### Operation (with no condensation or icing)

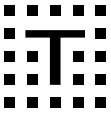
Temperature: 0°C to +50°C max.  
Relative humidity: 5% to 80% max.

#### IP PROTECTION RATE

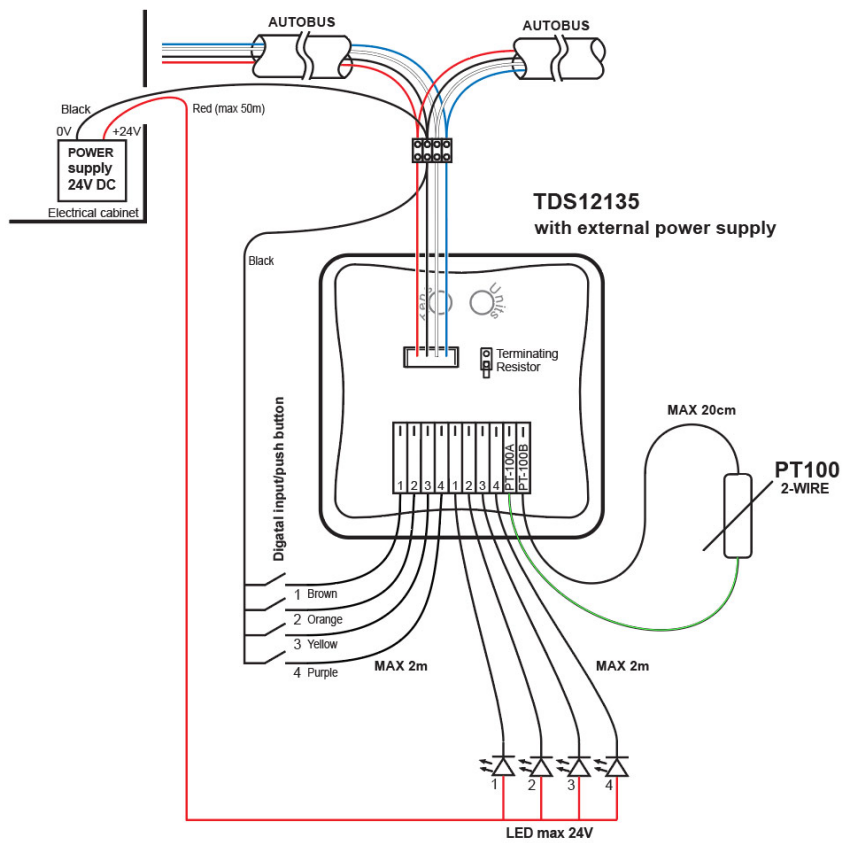
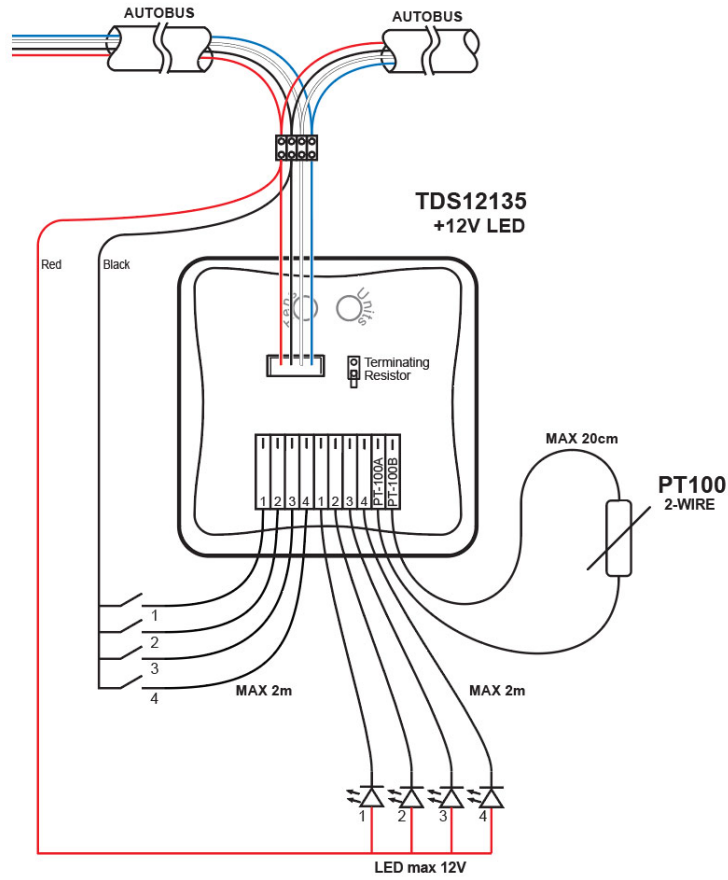
IP20

#### LIMITED WARRANTY

Four years



**SCHEMATIC DRAWINGS**



### TDS12301 **COOKIE AD univ. analogue IN + Voltage contact IN**



Miniature input interface with one universal analog input and one digital input. The digital input can be used to connect Voltage free contacts like from a push button, door- or window contact, presence detector, etc. (any brand). The analogue sensor input can be connected to sensors like T° sensor from a sauna, water T° , Ph or Chlore sensor of a swimming pool, wind speed sensor, etc... The following analogue signal types are supported:  
0 - 5V, 0 -10V, 0 - 20mA, 4 - 20mA (with cable break detection alarm), PT100 sensor (3-wire) and the TELETASK T°, Light and Humidity level sensors.

#### APPLICATION

The COOKIE-AD input interface is designed to measure the signal of an analogue sensor and simultaneously read the contact input on the same interface. The compact housing is specifically useful for installations where space is limited and AUTOBUS is available. It also avoids that the sensor signal needs to be transported over long wires to the electrical board. The 4-20mA input has the advantage that in case of broken signal wire, the TDS system can detect this and takes action.

Important: It is not suited for measurement/control of processes, which could lead to danger for people and installations. Neither it is made to control industrial processes.

#### APPLICATION EXAMPLE

- (1) Light sensor in combination with a motion detector. Ex. Esylux PD-C 360i/8 mini UC (can be used for constant light control)
- (2) A wind speed sensor with 0V to 10V output .
- (3) A rainwater tank (e.g. content 10.000L) with an ultrasonic sensor (4-20mA output), ex. Type Sontay LS-UL3)  
The total range of 10.000L divided with a resolution of 720 steps, gives  $10.000/720 = 13,9L$  (see table below).

Remark 1: On the AURUS-OLED there is a display limit of six characters, so a maximum 99999 can be displayed.

Remark 2: The sensor signal should be linear with the tank content. This is correct in case of a rectangle tank. When used with a circular tank, the signal may not be linear. In this case it is advised to represent the value in height (percent).

**IMPORTANT:** Failure of the measurement (ex. Wind sensor is broken or cables are cut) can be the cause of danger and/or damage. For example, in case of a wind speed sensor, if defect or when a sensor wire is broken, your sunshades will not be withdrawn automatically at high wind speeds. To prevent damage, you will have to withdraw the shades manually. TELETASK is not responsible for damage caused by unattended failure or any other cause.

#### DISPLAY CAPABILITIES

AURUS-OLED (TDS12022xx)  
AURUS-OLED XL(TDS12032xx)  
OPUS (TDS12070)  
Mobile app iSGUI

There is a maximum of 6 digits available for text to be displayed. The 6 digits include the optional “-“, “.” or unit symbol.  
Ex. “999999”, “-16.4C”, “-16.66”, “105kmh”

#### CHARACTERISTICS

##### Inputs

1 x voltage free contact (low frequency; max. 1Hz)  
1 x analogue sensor input capable for reading values of TDS12250/TDS12251/12260/12270 and other sensor signals of 0-10V, 0-20mA, 4-20mA, PT100 (3-wire).  
Input impedance 0-10V: 30kOhm

PT100 temperature range: -25° to 110°C

Heartbeat LED This LED reflects the working of the processor, the change of an input status and the communication with AUTOBUS and the central unit.

#### SETTINGS

##### Functions

With PROSOFT Suite 3.8.1.0 or higher

##### AUTOBUS address

Through rotary switches “Tens” + “Units”

##### Jumpers

Terminating resistor (supplied with the central unit). To be used when the interface is at the physical end of the AUTOBUS cable.

##### Sensor input

Each type of sensor has separate connection, please consult schematic drawing below for correct connection

#### INSTALLATION

Indoor use only. Not applicable for DIN-rail mounting.

#### CONNECTIONS

##### AUTOBUS

AUTOBUS connector set (supplied with the interface). 12V (supplied by the AUTOBUS - minimum 9V) can be checked in PROSOFT diagnostics.

##### Digital Input

Wire, min. 0,2 and max. 0,5 mm<sup>2</sup>, length max=2 meter

##### Sensor Input

Wire, min. 0,2 and max. 0,5 mm<sup>2</sup>, length max=2 meter

#### POWER CONSUMPTION

Max. 15 mA

#### DIMENSIONS

42 W x 42 H x 16 D (mm)

## NET | GROSS WEIGHT

0.018 kg | 0.040 kg

## PACKAGING CONTENT

TDS12301  
AUTOBUS connector set + termination jumper.

## STORAGE

### Temperature

-20°C to +65°C

### Relative humidity

15% to 85%

## IP PROTECTION RATE

IP20

## POSSIBLE ERROR MESSAGES ON DISPLAYS (EX. AURUS-OLED TOUCH PANEL)

### “data?”

No information from interface (check AUTOBUS connection)

### “sens?”

Sensor not connected (TDS12250/12251 & TDS12260 only)

### “wait.”

Interface is calculating first measurement

### “loop?”

Broken cable (4-20mA only)

### “pow?”

Short circuit in the power of the sensors

### “error”

Wrong signal (ex. Wrong sensor or wrong settings)

## OPERATING RANGE

### Temperature

0°C to +50°C max.

### Relative humidity

5% to 80% at 25°C (no humidity/condense)

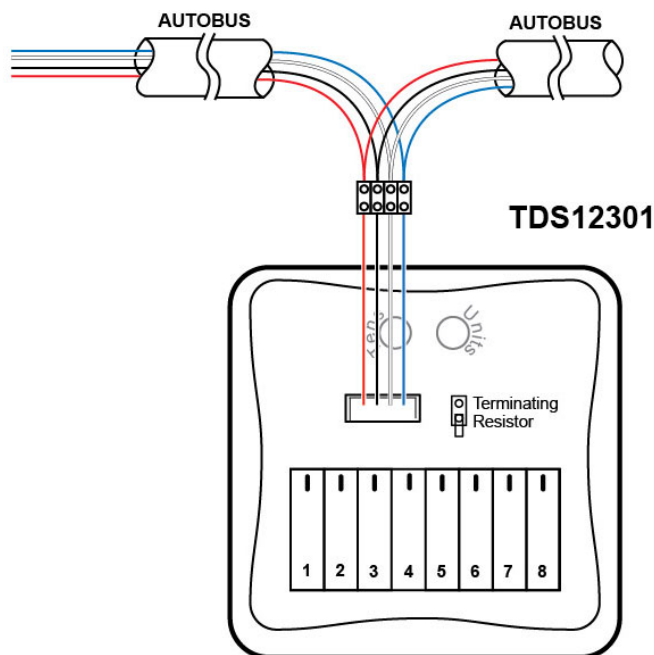
## LIMITED WARRANTY

Four years

## TABLE OF MEASUREMENT RESOLUTION AND PRECISION

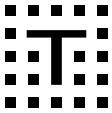
Signal:	Resolution:	Precision(@25°C):	Non Linearity:
0 – 10V	1024	± 3%	< ±1%
0 – 20mA	900	± 3%	< ±1%
4 – 20mA	720	± 3%	< ±1%
PT100	4095	+5%	<+1%
TDS Temp sensor	1200 (0,1°C)	± 1%	< ±1%
TDS Light sensor	200	± 10%	< ±1%
TDS Humidity sensor	100 (1%RH)	± 5%	< ±2%

## SCHEMATIC DRAWING

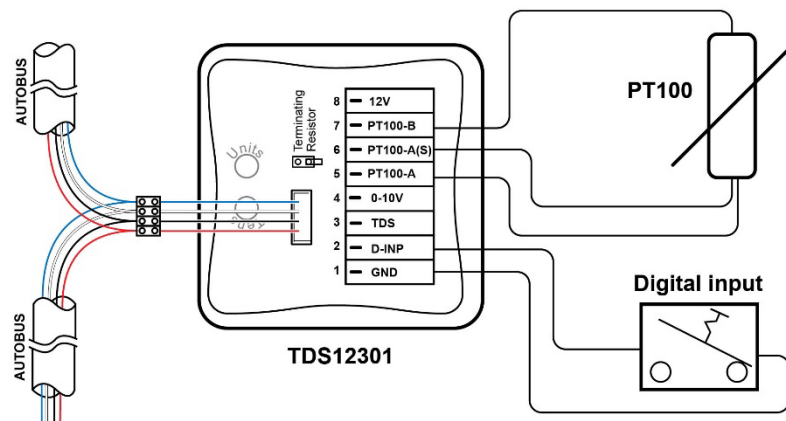
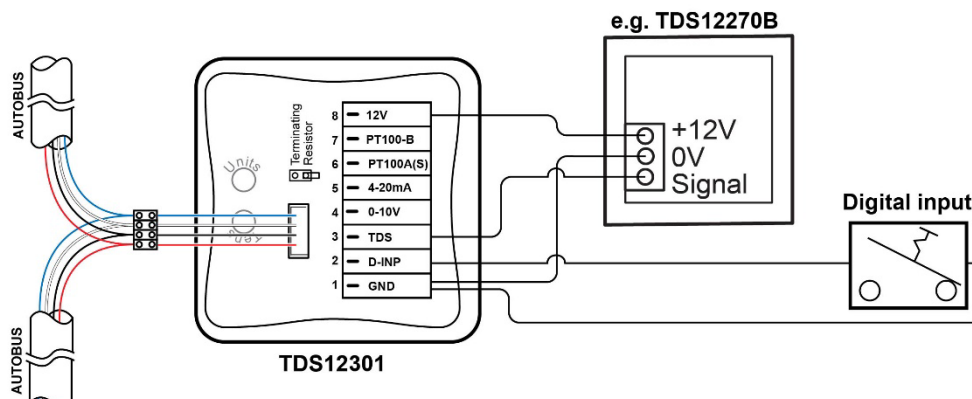
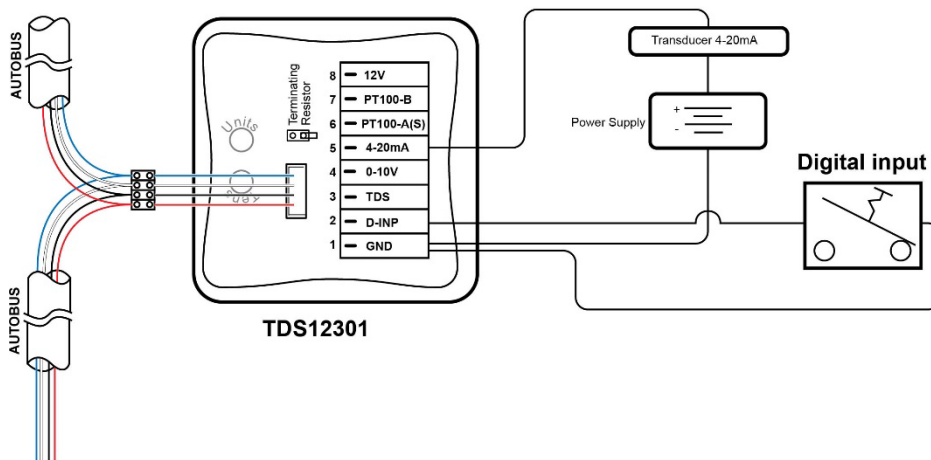
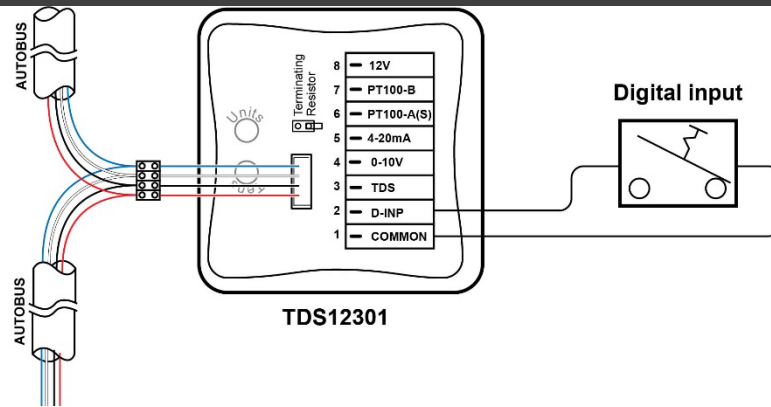


- 1: GND/ COMMON
- 2: INP (Digital)
- 3: TDS
- 4: 0-10V
- 5: 4-20mA / PT100-A
- 6: PT100-A(S)
- 7: PT100-B
- 8: 12V

Note: Max. 200cm to sensor



**SCHEMATIC DRAWING - EXAMPLES**





### TDS12311

### Analogue input interface with 8 TELETASK inputs

The TDS12311 analog input interface is a DIN-rail mounted electronic sensor input interface with 8 analog inputs. The inputs are to be used to integrate the TDS12250, TDS12251, TDS1260 and TDS12270 sensors, for temperature, light and humidity measurement and control.

#### APPLICATION

Interface between AUTOBUS and TELETASK sensors.

#### CHARACTERISTICS

Up to 8 TELETASK sensors can be connected.

#### SETTINGS

##### Configuration

Via PROSOFT Suite (V3.6.22 or higher).

##### AUTOBUS address

Via two rotary switches "Tens" & "units".

##### Jumper

Terminating resistor (supplied with the central unit). To be used when the interface is at the physical end of the AUTOBUS cable.

#### INSTALLATION

##### DIN-rail mounting

3 modules wide

##### Supply voltage

12V supplied by the AUTOBUS (minimum 9V). Can be checked with PROSOFT Diagnostics.

#### CONNECTIONS

##### AUTOBUS

AUTOBUS connector set + patch cable (supplied with the interface).

##### Inputs

Screw terminals; max. 4mm<sup>2</sup> solid (AWG 12) or 2,5mm<sup>2</sup> stranded (AWG 14).

Always connect each sensor with a separately cable (three wires).

Maximum cable length between sensors and interface is 50 meters.

#### POWER CONSUMPTION

##### AUTOBUS

Max. 70 mA (20 mA Standby)

#### DIMENSIONS

54 W x 90 H x 60 D (mm)

#### NET | GROSS WEIGHT

0,105 kg | 0,180 kg

#### PACKAGING CONTENT

TDS12311 interface  
AUTOBUS connector set + terminating resistor  
AUTOBUS Patch cable

#### ENVIRONMENTAL CONDITIONS

##### Storage (with no condensation or icing)

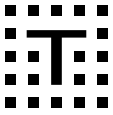
Temperature: -20°C to +65°C max.  
Relative humidity: 5% to 85% max.

##### Operation (with no condensation or icing)

Temperature: 0°C to +50°C max.  
Relative humidity: 5% to 80% max.

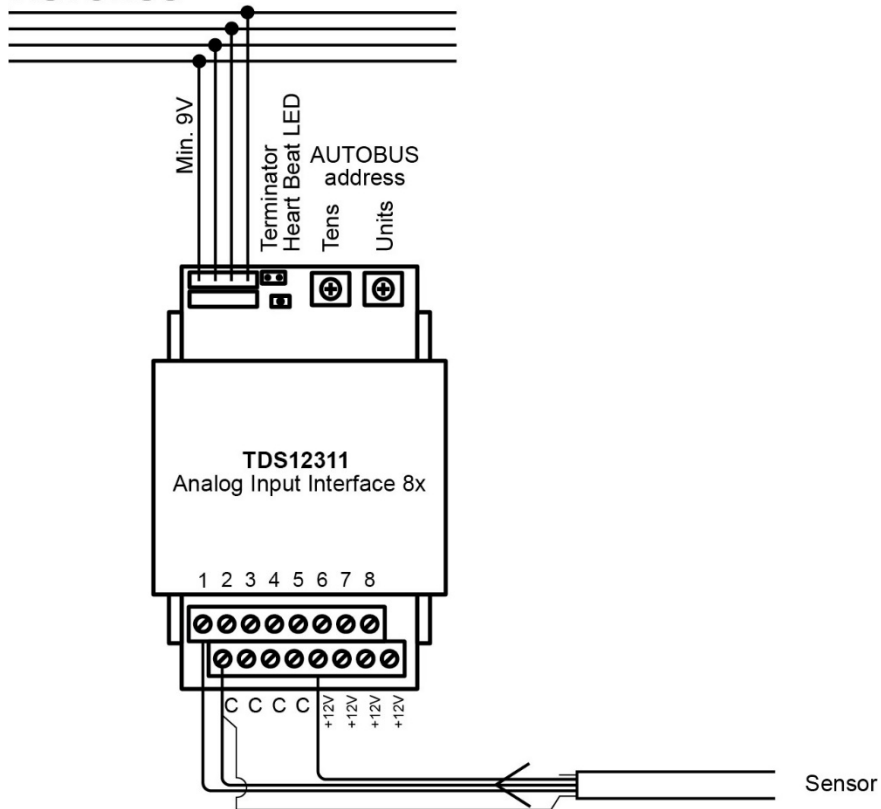
#### IP PROTECTION RATE

IP20

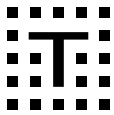


**SCHEMATIC DRAWING**

**AUTOBUS**







**TDS12310**

**Universal analog input interface**

AUTOBUS Interface with 8 inputs for universal analog sensors. Using this interface you are able to integrate any industrial sensor like temperature measuring for the sauna, water level measuring of the swimming pool, wind metering... with the TELETASK domotic system.

Signals 0-5V, 0-10V, 0-20mA, 4-20mA and TELETASK analog sensors are applicable.

**APPLICATION**

Used for domestic and office purposes. Measuring analog parameters. This interface is not suited for measurement or control of such processes, which could lead to danger when controlling fails. Neither is this interface suited for controlling industrial processes.

**APPLICATION EXAMPLE**

- (1) A wind sensor measuring from 0V to 10V. Output, 0,7m/sec (2,52km/h) for 0V up to 40m/sec (144km/h) for 10V .
  - (2) A rain water tank (content 10.000L) with an ultrasonic sensor (4-20mA output), ex. Type Sontay LS-UL3)
- The total range of 10.000L divided with a resolution of 720 steps, gives 10.000/720 = 13,9L (see table below).  
On the display of the AURUS-OLED there is a limit of characters (6) which lead to the following result as a maximum: 99999L.

! Remark: This is only true when the signal has a linear resolution with the tank content. This is correct in case of a rectangle tank. When used with a circular tank, the signal won't be linear. In this case it is advised to represent the value in percent or meter.

! IMPORTANT: Failure of the measurement (ex. Wind sensor is broken or cables are cut) could cause dangerous situations. For example, in case of a wind speed sensor, if broken, your sunshades won't be withdrawn automatically by high wind speeds. To prevent damage you will have to withdraw the shades manually. TELETASK is in no way responsible for damage caused by bad working or broken components of the system.

**DISPLAY POSSIBILITIES**

On the AURUS-OLED (TDS12022xx) there is a maximum of digits available for text to be displayed: 6 digits including the optional "-", ".", Or unit symbol.  
Ex. "999999", "-16.4C", "-16.66", "105kmh"

**CHARACTERISTICS**

Up to 8 universal analog sensors can be connected: TELETASK analog sensors (TDS12250xx/TDS12251/12260xx/12270xx) and sensors with 0-5V, 0-10V, 0-20mA, 4-20mA output signals.  
Input impedance 0-5V: 15kOhm  
Input impedance 0-10V: 25kOhm

**SETTINGS**

**Functions**

Via PROSOFT (starting from 3.0.0.70)

**AUTOBUS address**

Via rotary switches 'Tens' + 'Units'.

**Jumpers**

Terminating resistor (supplied with the central unit). To be used when the interface is at the physical end of the AUTOBUS cable.

**Input**

For every input you have to set two dip switches to define the type of sensor which is connected with that particular analog TDS input.

Consult the schematic drawing for the correct dip switch settings.

!!! Be very careful with the dip switch setting. A wrong sensor type setting causes improper functioning or it can even damage the input.

**INSTALLATION**

**DIN-rail mounting**

4 modules wide

**CONNECTIONS**

**AUTOBUS**

AUTOBUS connector set + patch cable supplied with this unit

**Inputs**

Screw terminals for wires max 1mm<sup>2</sup>; always connect each sensor with an individual shielded cable (three wires) only. Connect shielding with the AUTOBUS shielding at the interface. Maximum cable length between sensors and interface is 50 meters, except for 0-20A and 4-20mA where it is 100 meter.

**POWER CONSUMPTION**

Max. 52 mA

**DIMENSIONS**

72 W x 90 H x 60 D (mm)

**GROSS WEIGHT**

0,180 kg

**IP PROTECTION RATE**

IP20

**POSSIBLE ERROR MESSAGES ON DISPLAYS (EX. AURUS-OLED TOUCH PANEL)**

**"data?"**

No information from interface (check AUTOBUS connection)

**"sens?"**

Sensor not connected (TDS temperature & TDS humidity only)

**"wait."**

Interface is calculating first measurement

**"loop?"**

Broken cable (4-20mA only)

**"pow?"**

Sort circuit in the power of the sensors

**“error”**

Wrong signal (ex. Wrong sensor)

**PACKAGING CONTENT**

TDS12310 interface  
 AUTOBUS connector set + terminating resistor  
 AUTOBUS Patch cable

**STORAGE**

**Temperature**

-20°C to +65°C

**Relative humidity**

**SCHEMATIC DRAWING**

15% to 85%

**IP PROTECTION RATE**

IP20

**OPERATING RANGE**

**Temperature**

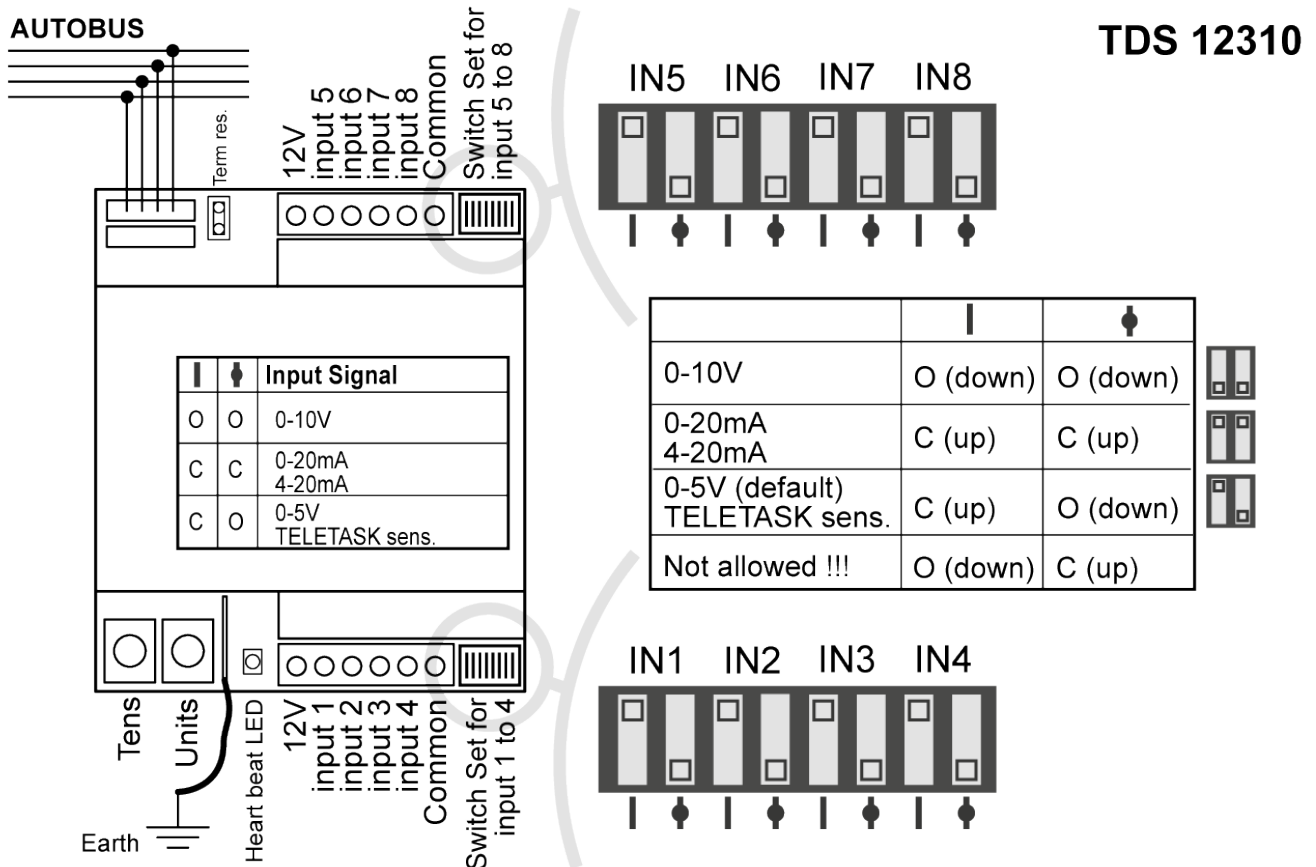
0°C to +50°C max.

**Relative humidity**

5% to 80% at 25°C (no humidity/condense)

**TABLE OF MEASUREMENT RESOLUTION AND PRECISION**

Signal:	Resolution:	Precision(@25°C):	Non Linearity:
0 – 5V	1024	± 3%	< ±1%
0 – 10V	1024	± 3%	< ±1%
0 – 20mA	900	± 3%	< ±1%
4 – 20mA	720	± 3%	< ±1%
TDS Temp sensor	1200 (0,1°C)	± 1%	< ±1%
TDS Light sensor	200	± 10%	< ±1%
TDS Humidity sensor	100 (1%RH)	± 5%	< ±2%





### TDS12340BE

### P1 interface for digital meter (BE+NL)

TDS12340BE is an AUTOBUS interface that provides the connection between the AUTOBUS and the P1 port of the digital meter (electricity and gas). This interface ensures that the TELETASK system can have access to the consumption and injection data of your electrical and gas installation. The TELETASK system can, based on the read-in measurement data, switch on consumers when the installation, for an adjustable time, injects energy into the grid (surplus by solar panels). This can be the socket of your washing machine, dryer and dishwasher or another socket. If you also have a connection with your heat pump, and/or hot water boiler, these can also be controlled based on the measured energy parameters. On the other hand, the system can also take care of switching off circuits in the event of peak load.

#### APPLICATION

Interface for optimizing your own consumption of energy generated by solar panels and limiting peak load. The interface is also particularly interesting for visualizing energy consumption and generation (key panels, touch screens and mobile app).

#### CHARACTERISTICS

##### General

DIN-rail interface with AUTOBUS and P1 connection for integrating the digital gas and electricity meter with the TDS system.

Display of real time consumption is limited to 32000W.

##### Indication LEDs

- Heartbeat LED (BUS)
- P1 power supply: power LED (coming from the P1 meter)
- Data-LED:
  - flashes when receiving data from the meter (On/OFF every second) = everything is fine
  - LED is ON continuously and brighter as the power LED = data signal (wire 5 in the cable) is damaged
  - LED is ON continuously and as bright as the power LED = cable is connected to the S1 connector instead of P1 connector
  - 'Data' LED is OFF and 'Power' LED is ON = AUTOBUS is not connected.

#### SETTINGS

##### Configuration

With PROSOFT Suite (V3.8. 4 or higher).

##### AUTOBUS address

With rotary wheel switches "Tens" (dozens) + "Units".

##### Jumpers

AUTOBUS terminating resistor (supplied with the DoIP control panel). Should only be placed if this interface is located at the physical end of the AUTOBUS cable.

#### INSTALLATION

##### DIN-rail mounting

2 modules wide (36mm)

##### Inputs

12V powered by the BUS (minimum 9V). Voltage level measurable (from a distance) in PROSOFT Diagnostics .

##### Important note when installing:

! Follow the safety regulations of the local authorities to comply with all regulations.

! Attention only use the supplied 'STRAIGHT' cable!

#### CONNECTIONS

##### AUTOBUS

AUTOBUS connector set and patch cable included.

##### Input P1

RJ12 connector with RJ12 cable of 3 m length to the digital meter included.

The cable can be up to 10 meters long.

Via third parties, a P1 extension adapter and cable can be used for distances of up to 100 meters between P1 interface and digital meter.

Gas meter: If you have a digital gas meter, it is normally automatically (wirelessly) connected to the digital electricity meter.

#### POWER CONSUMPTION

##### AUTOBUS

Max. 18mA

##### DIMENSIONS

90 L x 36 W x 60 H (mm)

##### NET | GROSS WEIGHT

0.053 kg | 0.174 kg

#### PACKAGING CONTENT

TDS12340BE interface  
AUTOBUS connector set  
AUTOBUS Patch cable  
RJ12 cable 3 meters

#### ENVIRONMENTAL CONDITIONS

##### Storage (with no condensation or icing)

Temperature: -20°C to +65°C  
Relative humidity: 5% to 85%

##### Operation (with no condensation or icing)

Temperature: 0°C to +50°C max.  
Relative humidity: 5% to 80%

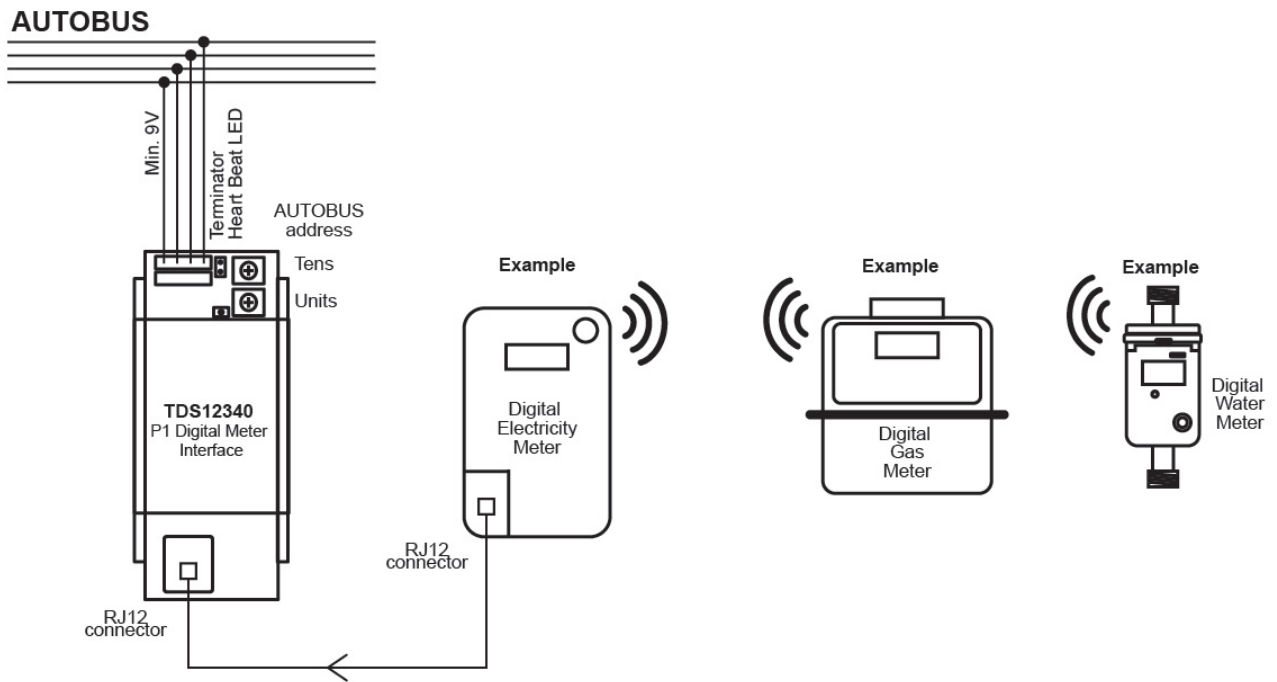
#### IP PROTECTION RATE

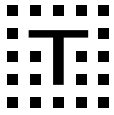
IP20

#### LIMITED WARRANTY:

4 years

**SCHEMATIC DRAWING**





## **F. SENSORS**



### TDS12150

### SIRIUS ceiling motion sensor with STAR LIGHT

SIRIUS is a PIR motion sensor with built-in light sensor and 'STAR LIGHT' LED. This ceiling motion sensor is used to control light circuits when motion is detected and the light level, measured by the internal light sensor, is below a preset level. SIRIUS is not only a light control device but, integrated with the TDS system, it becomes an important part of comfort-, safety- and energy management. SIRIUS is your energy manager who always keeps track of the comfort and safety of people in motion. Be it standing or sitting down. Built-in 'STAR LIGHT' is an LED which works as motion indicator and as night light if no area lights are active or when they are defect. High accuracy motion sensor with 192 detection zones; LED = 10 Lumen, 3000°K.

#### APPLICATION

SIRIUS is used to control lights in a hall, night hall, stair case area, storage room, bath room, entrance, etc ...  
SIRIUS is to be used in particular rooms/areas like an entrance, bath room, garage, hall, night hall, staircase areas, etc ... where people are only present for a limited period of time and in places like offices, class rooms, conference rooms, etc ... where a high number of lights is consuming a considerable level of energy.

In professional applications, SIRIUS is also the perfect sensor for CLC control in large areas like offices, conference- and class rooms. SIRIUS does sense the presence of a person or persons and can control the intensity of dimmable lights (for example a DALI dimmable light group). The CLC function has a target Lux level which is measured by SIRIUS. A large number of CLC settings is available in PROSOFT, including a walk-through function which is extra energy efficient.

#### CHARACTERISTICS

##### Colour

The housing of TDS12150WH is RAL9016 (traffic white). The TDS12150BL (black version) is in RAL90005 (jet black).

##### General

SIRIUS is very compact and can be installed in solid or hollow ceilings. The extremely sensitive PIR sensor contains 192 detection zones which can detect even slight motions. The circular opening angle is 99°.

The SIRIUS housing is extremely flat (1.3mm out of the ceiling) and can therefore be installed within a door-swing range. Even with maximum height doors coming close to the ceiling. In case of complete darkness the STAR LIGHT LED provides 1,2 Lux when installed on 2,5m from the floor. The lighted area is about 8m in diameter.

**Important:** the star light function is **not** to be considered as a replacement of 'emergency lighting' because the STAR LIGHT LED has a very limited light intensity and it has no power backup (may be important in case of a fire or other mains power failure).

##### Conformity

Directive EMC: 2014/30/EU  
Directive RoHS II: 2011/65/EU  
Directive WEEE: 2012/19/EU



#### SETTINGS

##### Configuration

PROSOFT Suite (V3.8.4 or higher).

##### AUTOBUS address

With two rotary switches 'tens' and 'units'.

#### Installation

##### For indoor use only.

Can be built-in in hollow and solid ceilings. You need a minimum depth of 35mm and additional depth for the AUTOBUS connector + 1x or 2x AUTOBUS cable. Advised total whole dept is 65mm or more.

##### On-ceiling mounting

Use ceiling fixture for SIRIUS TDS90460WH or TDS90460BL.

The housing of WH version is PU coated in RAL9016 and will not yellow over time. It can be field spraypainted in any colour. Please remove the functional elements (lenses) prior to painting. TELETASK is not responsible for any damage done to the product or it's functions due to repainting. Warranty may become void.

#### SUPPLY VOLTAGE

12V supplied by the AUTOBUS (minimum 9V). Can be checked in PROSOFT Diagnostics.

#### CONNECTIONS

AUTOBUS connector set is supplied with the sensor.

#### POWER CONSUMPTION

##### AUTOBUS

Max.25 mA with starlight ON (12 mA Standby)

#### DIMENSIONS

52W x 28H x 52D (mm)

#### NET | GROSS WEIGHT

0,023 kg | 0,058kg

#### PACKAGING CONTENT:

TDS12150 interface (WH or BL)  
AUTOBUS connector set

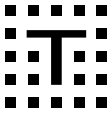
#### ENVIRONMENTAL CONDITIONS

##### Storage (with no condensation or icing)

Temperature: -20°C to +65°C max.  
Relative humidity: 5% to 85% max.

##### Operation (with no condensation or icing)

Temperature: 0°C to +50°C max.  
Relative humidity: 5% to 80% max.



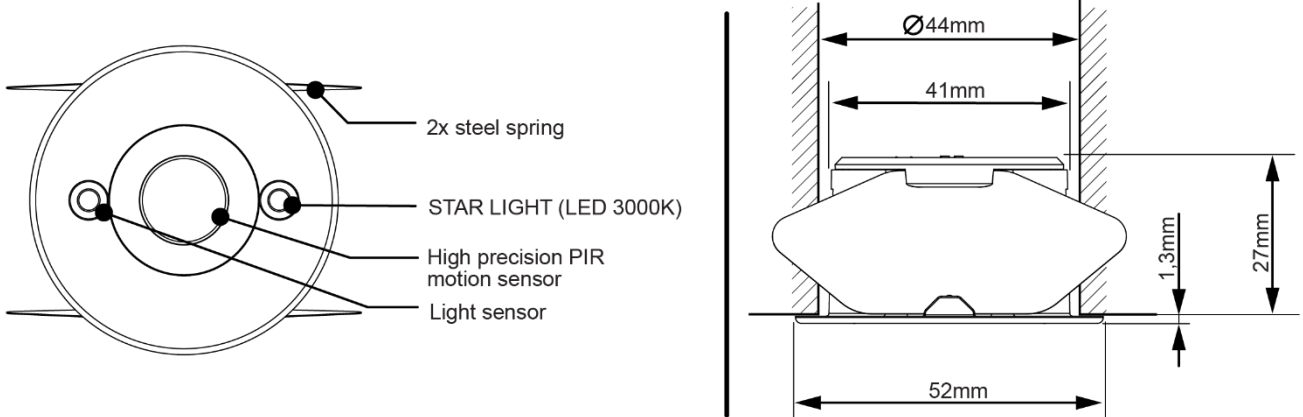
**IP PROTECTION RATE**

IP20

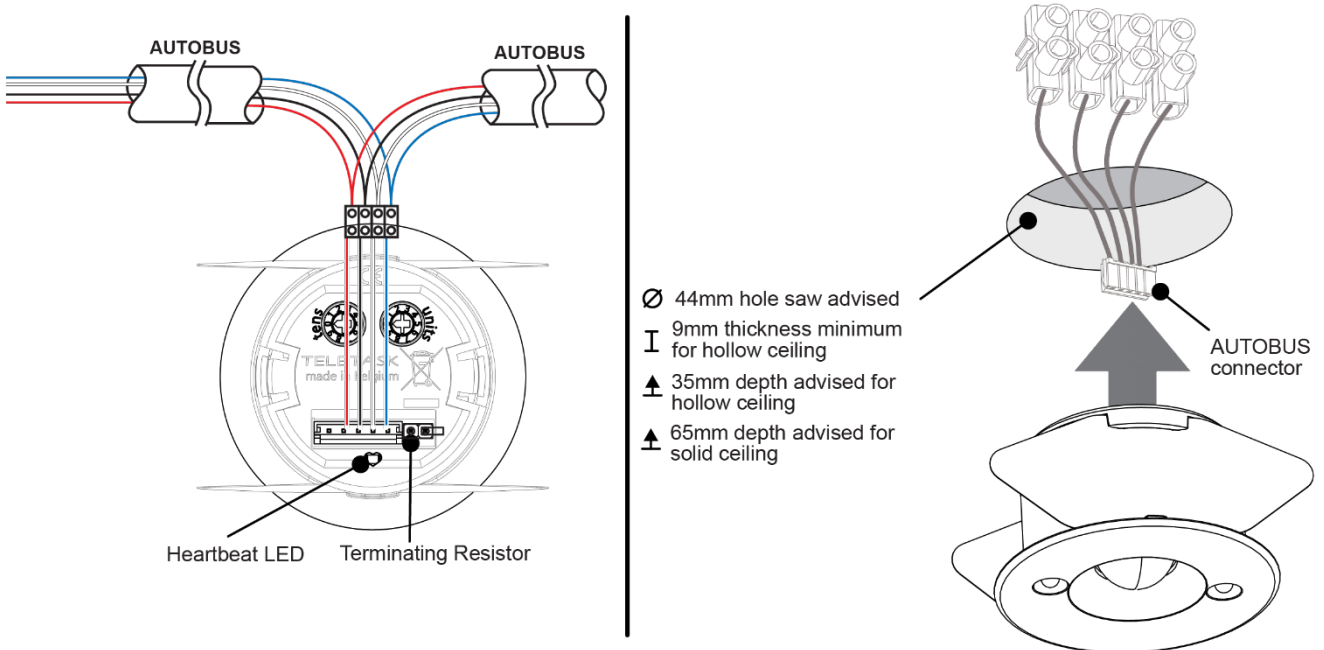
**LIMITED WARRANTY**

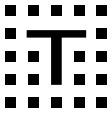
4 years

**SCHEMATIC DRAWING**

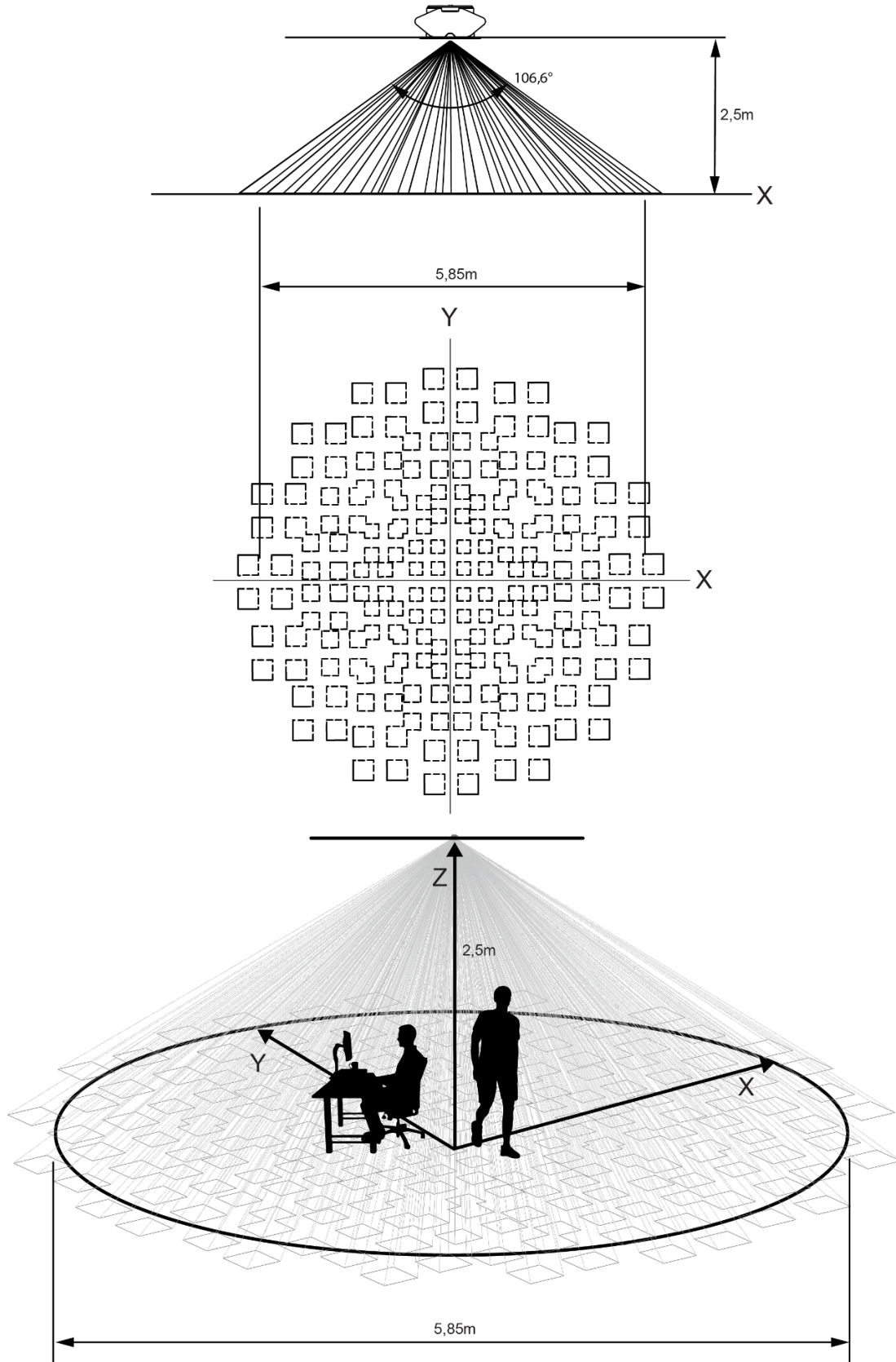


**INSTALLATION**



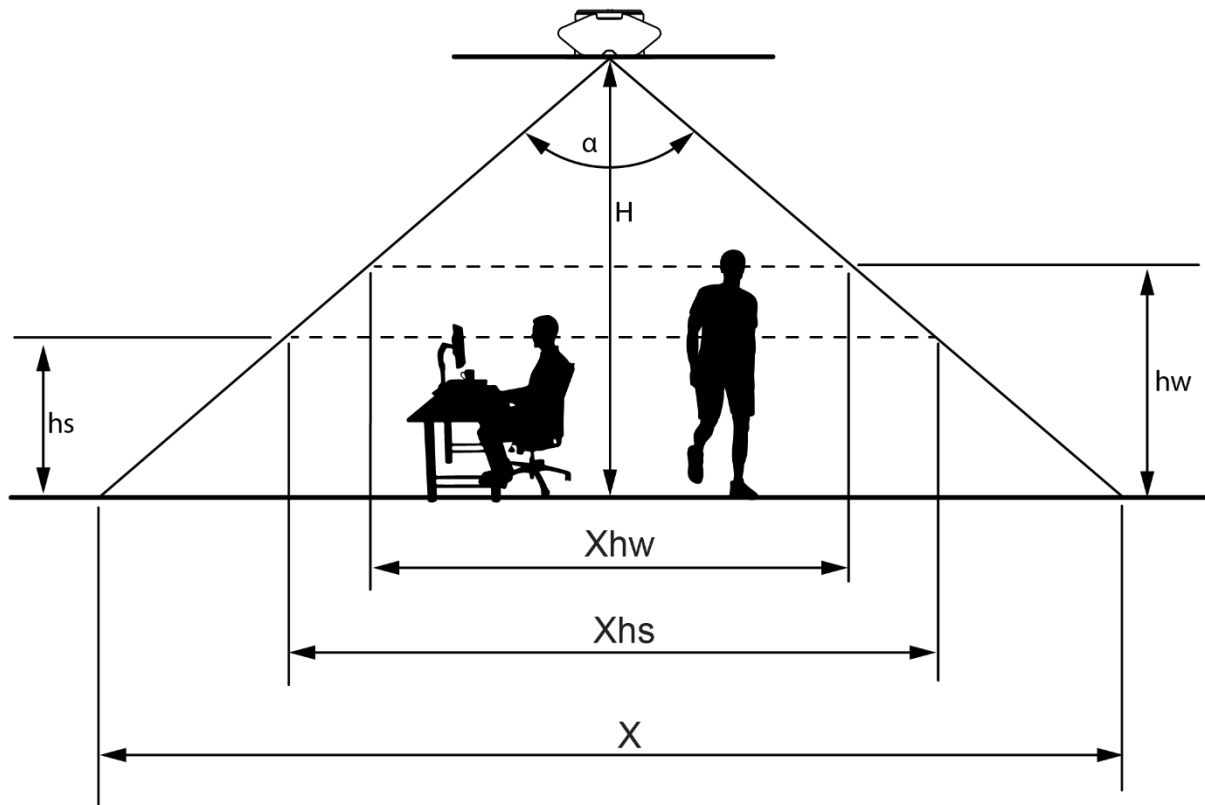
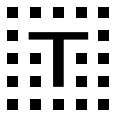


**MOTION SENSOR DETECTION RANGE**



Amount of detection zones = 192  
Detection in X and Y directions  
Detection in Z direction is uncertain



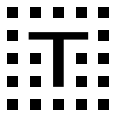


H	X	Xhw	Xhs
2,5m (8' 2")	5,85m (19' 2")	2,10m (6' 11")	2,92m (9' 7")
3m (9' 10")	7m (22' 12")	3,28m (10' 9")	4,10m (13' 5")
3,5m (11' 5")	8,2m (26' 11")	4,44m (14' 7")	5,26m (17' 3")
4m (13' 1")	9,36m (30' 8")	5,62m (18' 5")	6,42m (21' 1")

Temperature difference	Detection range	Target related conditions
8°C	Up To <b>3,5m</b> (11' 5")	Movement speed: 0,5m/s Target dimensions <b>0,2m x 0,2m</b> (10" x 10")
4°C	Up to <b>2,5m</b> (8' 2")	
Note: Depending on the temperature difference between the target and the surroundings, detection range will change.		

Example: max installation height for a walking person of 1,6m height is  $1,6m + 3,5m = 5,1m$

Legend	
H	Distance from ceiling to floor
hw=1,6m (5' 3")	Distance from floor to the centre of the head of a walking person
hs=1,25m (4' 1")	Distance from the floor to the centre of the head of a sitting person
X	Detection diameter on the floor
Xhw	Detection diameter for a walking person
Xhs	Detection diameter of a sitting person
$\alpha = 99^\circ$	Actual detection angle (remark: detection zones start at 106,6°)



**TDS12250WH**

**TELETASK Temperature sensor**

This temperature sensor is to be used to control heating and cooling. It can also be used only to indicate the environment temperature on a display.

**APPLICATION**

Measuring room temperatures.  
One sensor is to be used per temperature zone.  
One sensor can be used for both cooling and heating in the same temperature zone.  
To be connected to a TELETASK "analog" input.

**CHARACTERISTICS**

Temperature measure range:  $-40^{\circ}\text{C} > +80^{\circ}\text{C}$   
Sensor to be connected with 3 wires

**Order number**

TDS12250WH – white front

**INSTALLATION**

Horizontal mounting on a flat surface, about 1.5 meter height.  
Sensor can be placed in front of the wall or inside the wall using 45x45mm or 55x55mm frames.  
Ideal build-in height: 1,5m – 10 to 15 cm away from any door.

- ! Remark: Make sure that eventual draught in the wall box does not influence the temperature measurement. To avoid draught in the wall box, close the flexible tube of the wire with silicone and isolate the wall box.
- ! Remark: When the sensor is built in the wall the measurement can be influenced by the temperature of the concrete wall.
- ! Do not mount to close to a door opening, (minimum 15cm), to a window, on an outdoor wall or to a heating/cooling source.

**CONNECTIONS**

By shielded cable, containing three wires (+12V/0V/signal).  
When more than one sensor is connected with the same cable, the signals should be shielded separately.  
Maximum cable length is 50m.  
Min. wire section:  $0.25\text{mm}^2$   
Connect the sensor cable shielding to the AUTOBUS shielding.  
By means of three screw terminals.

**POWER CONSUMPTION**

Max. 4 mA

**DIMENSIONS**

55 W x 55 H x 21 D (mm)

**GROSS WEIGHT**

0,040 kg

**PACKAGING CONTENT**

TDS12250WH

**STORAGE**

**Temperature**

$-20^{\circ}\text{C}$  to  $+65^{\circ}\text{C}$

**Relative humidity**

15% to 85%

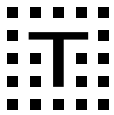
**IP PROTECTION RATE**

IP20

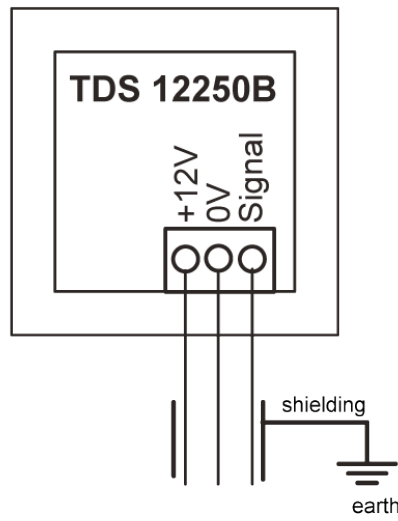
**OPERATING RANGE**

**Temperature**

$-40^{\circ}\text{C}$  to  $+80^{\circ}\text{C}$  max.



**SCHEMATIC DRAWING**

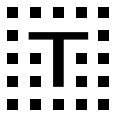


Shielded cable, to be connected to earth at the central unit or at the analog input interface (AUTOBUS shielding).  
Only one sensor per cable or per shielding (multi shielded cable)  
**Max. cable length: 50m**

**Installation**

	<b>1</b> <i>Open the sensor</i>	<b>2</b> <i>Mount the frame</i>	<b>3</b> <i>Connect and close</i>
<p>On Wall mounting</p>		<p>Max. 3.5x35</p>	
<p>45x45 frame in wall</p>			
<p>55x55 frame in wall</p>			

Use optional kit TDS90260



**TDS12251 Temperature sensor with cable (underfloor-outdoor)**



The TDS12251 temperature sensor is suitable for underfloor or outdoor temperature measurement.

As an underfloor sensor it can be used to measure the temperature of the floor and to control the heating/cooling system.

The sensor signal can also be used to visualise the measured temperature on displays, mobile devices, PC, etc...

The TDS12251 needs to be connected with a TELETASK analog input (on DOMUS, TDS12311, TDS12310).

**APPLICATION**

Floor/outdoor temperature measurement.

**CHARACTERISTICS**

**Housing + sensor probe on cable**

The set exists out of a compact plastic housing with a wired temperature sensor probe with 2 meter cable (to be cut off at the desired length). The sensor probe is sealed watertight and can be used both indoor and outdoor.

**SETTINGS**

**Configuration**

Temperature sensor TDS12251 can be selected in PROSOFT Suite 3.4.12.0 or higher.

**INSTALLATION**

**Housing**

The housing can be installed in a standard wall box with a standard cover plate, near the position of the sensor probe.

**Sensor probe**

The sensor probe (Ø8mm) can be inserted in a standard tube (Ø18mm or larger) to position it on the desired spot.  
Max. length of the cable: 2m.

Underfloor temperature measurement:

Place the sensor probe in the middle between two tubes of the floor heating/cooling for correct measurement.

Outdoor temperature measurement:

As an outside sensor it can be mounted through an opening in the wall via a tube.

Tip: Seal the tube from the inside of the house to prevent incorrect measurement.

! Remark: The position of the tip of the sensor probe must be at least 20mm away from the wall to ensure correct measurement.

! Remark: The sensor probe must be protected from direct sunlight and rainfall, snow and ice (a small enclosure box is recommended).

! Remark: It is not allowed to be submerged in water

! Remark: Make sure that the sealing between the cable and probe, is intact. Do not bend the cable at this point as it will damage the sealing.

**Min. supply voltage**

12V (supplied by the TELETASK analog input interface); Min. 9V.

**CONNECTIONS**

**Inputs (from sensor probe)**

Spring pressure connector 3x 0,5-1,5mm<sup>2</sup> (AWG 20-16) (red / black / signal).

**Outputs**

Spring pressure connector 3x 0,5-1,5mm<sup>2</sup> (AWG 20-16) (+12V / C(=0V) / Out)

To be connected with an analog input interface (e.g.: TDS12311).

Use a shielded cable, to be connected to earth at the analog input interface. Only one sensor per cable or per shielding.

**POWER CONSUMPTION**

Max. 4 mA

**DIMENSIONS**

**Housing**

42 W x 42 H x 22 D (mm)

**Sensor probe**

Ø 8 (mm)

**Sensor cable**

Ø 4,5 (mm) x 2m

**NET | GROSS WEIGHT**

0,115kg | 0,175kg

**PACKAGING CONTENT**

TDS12251 interface (housing + sensor probe on a cable).

**STORAGE**

**Temperature**

-20°C to +65°C

**Relative humidity**

15% to 85%

**IP PROTECTION RATE**

**Housing**

IP20

**Sensor probe**

IP67

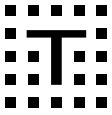
**OPERATING RANGE**

**Temperature**

Housing: 0°C to +50°C max.  
Sensor probe: -40°C to +80°C max.

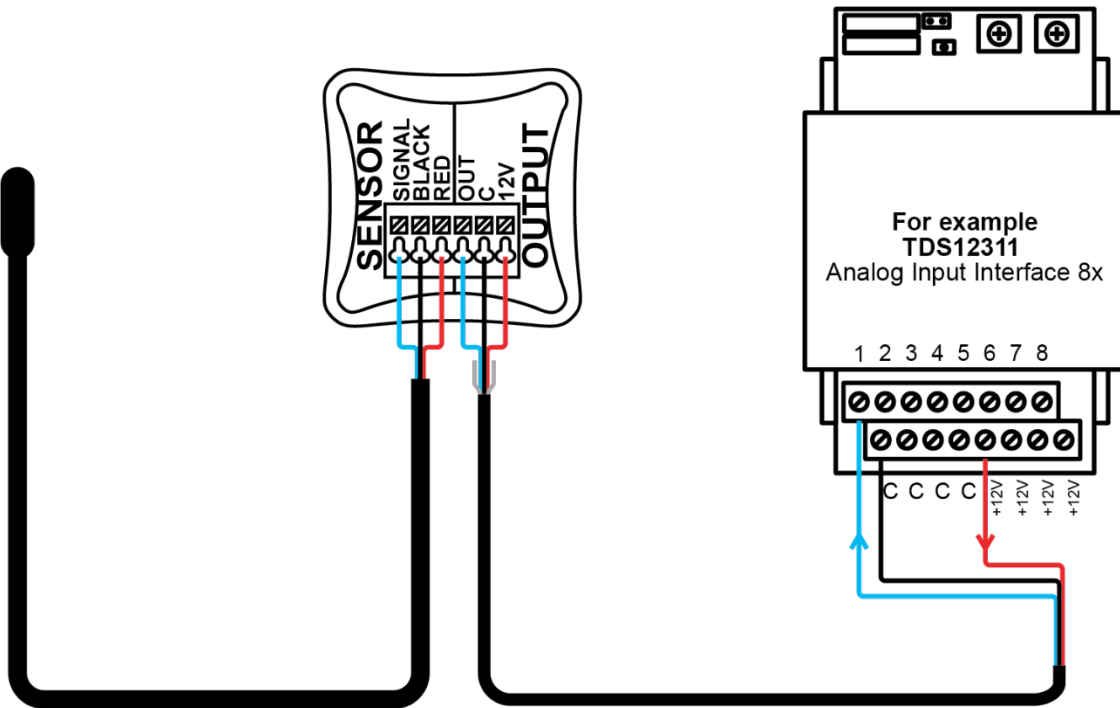
**Relative humidity**

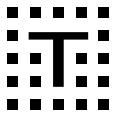
Housing: 5% to 80% at 25°C (non-condensing ambient)  
Sensor probe: 0% to 100%



**SCHEMATIC DRAWING**

**TDS12251**





**TDS12260WH**

**TELETASK Humidity sensor**

This humidity sensor is to be used to indicate and/or to control humidity levels.

**APPLICATION**

Measuring humidity levels between 20%RH and 95%RH  
RH: relative humidity  
To be connected to a TELETASK “analog” input.

**CHARACTERISTICS**

Sensor to be connected by 3 wires.

**Order number:**

TDS12260WH – white front

**INSTALLATION**

Horizontal mounting on a flat surface, about 1.5 meter height.  
Sensor can be placed in front of the wall or inside the wall using 45x45mm or 55x55mm frames.  
Ideal build-in height: 1,5m – 10 to 15 cm away from any door.

- ! Remark: When the sensor is built in the wall the measurement can be influenced by the humidity level of the concrete wall.
- ! Do not mount too close to a door opening, (minimum 15cm), to a window or to a heating/cooling source.

**CONNECTIONS**

By shielded cable, containing three wires (+12V/0V/signal).  
When more than one sensor is connected with the same cable, the signals should be shielded separately.  
Maximum cable length is 50m.  
Min. wire section: 0.25mm<sup>2</sup>  
Connect the sensor cable shielding to the AUTOBUS shielding.  
By means of three screw terminals.

**POWER CONSUMPTION**

Max. 4 mA

**DIMENSIONS**

55 W x 55 H x 21 D (mm)

**GROSS WEIGHT**

0,040 kg

**PACKAGING CONTENT**

TDS12260WH

**STORAGE**

**Temperature**

-20°C to +65°C

**Relative humidity**

15% to 85%

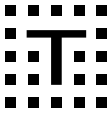
**IP PROTECTION RATE**

IP20

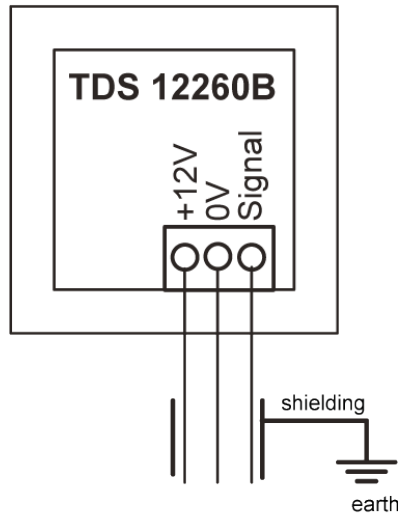
**OPERATING RANGE**

**Temperature**

0°C to +80°C max.



**SCHEMATIC DRAWING**

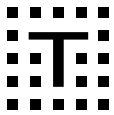


Shielded cable, to be connected to earth at the central unit or at the analog input interface (AUTOBUS shielding).  
Only one sensor per cable or per shielding (multi shielded cable)  
**Max. cable length: 50m**

**Installation**

	<b>1</b> <i>Open the sensor</i>	<b>2</b> <i>Mount the frame</i>	<b>3</b> <i>Connect and close</i>
<p>On Wall mounting</p>		<p>Max. 3.5x35</p>	
<p>45x45 frame in wall</p>			
<p>55x55 frame in wall</p>			

Use optional kit TDS90260



**TDS12270WH**

**TELETASK Light sensor**

This light sensor is to be used to sense for light levels. Depending of the placement the sensor can be used to control indoor or outdoor functions (lights). The sensor can be used to control curtains, shutters, lights, etc... Or to sense if a 'dark' or 'light' or ... situation is true.

**APPLICATION**

For indoor and outdoor applications  
To be used to sense the environmental light level.  
To be connected to a TELETASK "analog" input.

**CHARACTERISTICS**

Sensor with three wire connection  
Mounted in a IP44 housing (for indoor and outdoor use)

**Range**

Twilight	0,1 > 1584 lux
General purpose	1 > 15848 lux
Sun	10 > 99999 lux

**Order number**

TDS12270WH – white front

**SETTINGS**

**Configuration**

See technical handbook chapter: 'How to integrate a light sensor'.

**Jumpers**

JP1 + JP2: to define the sensor as a sun-, regulate- or dusk sensor

**INSTALLATION**

To be mounted on a flat surface, protected for outdoor influences as rain and snow or built in the wall using 45x45mm or 55x55mm frames.

Ideal build-in height: 1,5m – 10 to 15 cm away from any door. Anyway, depending the application you should consider the placement to be protected against direct sun light or not (ex: when the light sensor is active in the sun sensor mode, it is not placed in the shelter of the gutter).

Be aware that there are differences between summer and winter periods; the sun stand high and low.

If the sensor controls a light source, the placement should be done in a way that the controlled light is not influencing the sensor in no way.

Min. wire section: 0.25mm<sup>2</sup>

**CONNECTIONS**

By shielded cable, containing three wires (+12V/0V/signal). When more than one sensor is connected with the same cable, the signals should be shielded separately. Maximum cable length is 50m. Connect the sensor cable shielding to the AUTOBUS shielding. By means of three screw terminals

**POWER CONSUMPTION**

Max. 4 mA

**DIMENSIONS**

55 W x 55 H x 21 D (mm)

**GROSS WEIGHT**

0,050 kg

**PACKAGING CONTENT**

TDS12270WH

**STORAGE**

**Temperature**

-20°C to +65°C

**Relative humidity**

15% to 85%

**IP PROTECTION RATE**

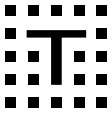
IP44

**OPERATING RANGE**

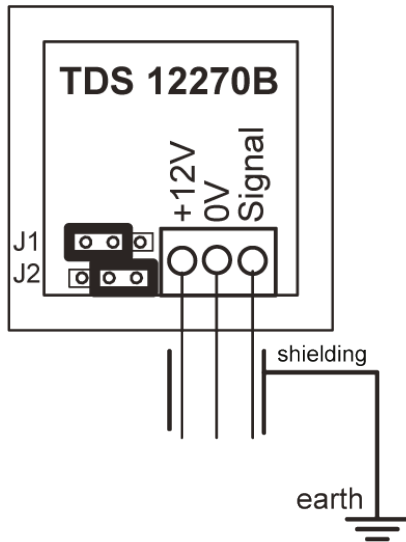
**Temperature**

-20°C to +50°C max.





**SCHEMATIC DRAWING**



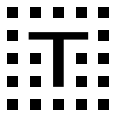
J1		Twilight sensor
J2		Schemersensor
J1		Control sensor
J2		Regelsensor
J1		Sun sensor
J2		Zonnesensor

Shielded cable, to be connected to earth at the central unit or at the analog input interface (AUTOBUS shielding).  
Only one sensor per cable or per shielding (multi shielded cable)  
**Max. cable length: 50m**

**Installation**

	<b>1</b> <i>Open the sensor</i>	<b>2</b> <i>Mount the frame</i>	<b>3</b> <i>Connect and close</i>
<p>On Wall mounting</p>		<p>Max. 3.5x35</p>	
<p>45x45 frame in wall</p>			
<p>55x55 frame in wall</p>			

Use optional kit TDS90260



**TDS12280**

**Water (leak) sensor**



This water sensor is to be used to detect water caused by an accidental leak. Example: In the storage the sensor detects unwanted water near the washing machine.

The sensor is mounted close to the floor.

The sensor is connected to the TELETASK system using a digital input on the MICROS central unit or the digital input interfaces (TDS10012, TDS12117, TDS12134)

The sensor consists of a normal closed contact. At detection of water the contact opens.

**APPLICATION**

To be used to detect water caused by a leak.  
Only to be used in indoor application >0°C.

**CHARACTERISTICS**

Sensor with four wire connection.  
Sensor is cast in a waterproof IP65 plastic housing.

**INSTALLATION**

To be mounted with 2 screws on the wall at the height where the water level should be measured.

**CONNECTIONS**

**Power Supply**

+12V Red Wire  
-0V Black Wire  
External Power supply 12V Dc is needed.

**TELETASK input**

Connect the white and green wire with a digital input on the central unit TDS10012 or the digital input interfaces TDS12117, TDS12134

**POWER CONSUMPTION**

Max. 10 mA

**DIMENSIONS**

64 W x 16 H x 14 D (mm)

**GROSS WEIGHT**

0,045 kg

**PACKAGING CONTENT**

TDS12280

**STORAGE**

**Temperature**

-20°C to +65°C

**Relative humidity**

15% to 85%

**IP PROTECTION RATE**

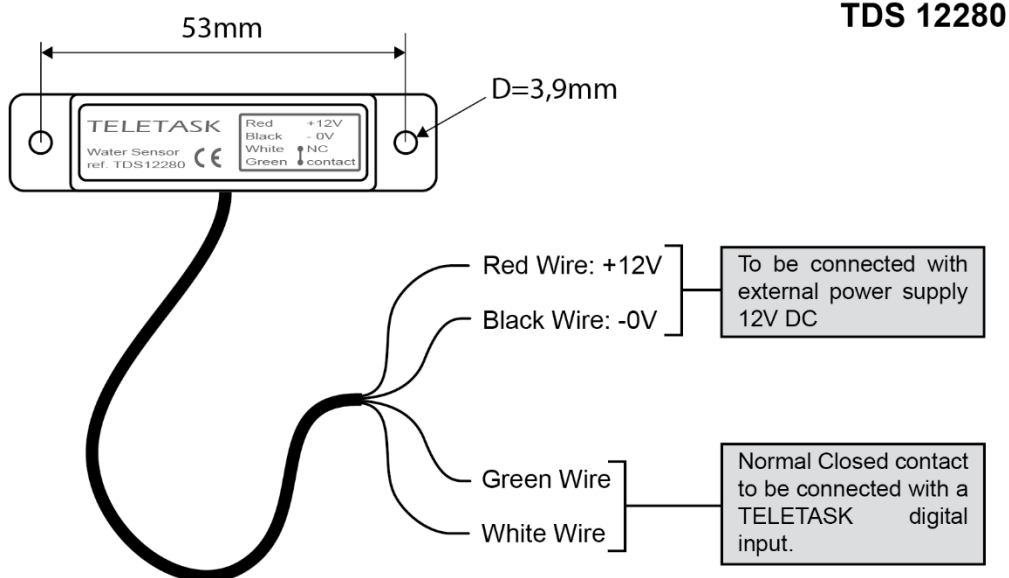
IP65

**OPERATING RANGE**

**Temperature**

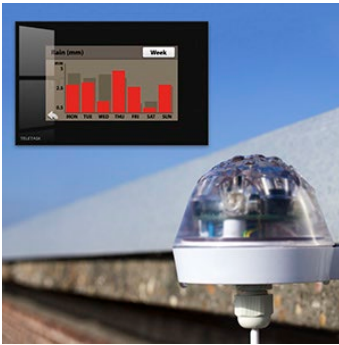
0°C – 50°C

**SCHEMATIC DRAWING**



**TDS12285**

**Rain detector-meter**



The TDS12285 rain detector-meter can be used for rain detection for the control of blinds, windows, etc. to protect them from the rain (mode 1). It can also be used for indication of rain fall (mode 2). On AURUS-TFT or GUI+, graphs can be generated for real time indication, per hour, per day, per week and per month.

9-24V (AC or DC) power is needed and the output is defined by an internal change over (CO) contact. The contact switches immediately when rain is detected (standard setting = 'very sensitive'). The contact can be connected to any control system. In case of integration with TDS, the contact can be connected to a digital input of the TDS system (MICROS+, TDS12117,...). The TDS12285 also contains an internal light sensor for full automated outdoor shade control: when set in this mode, the outdoor (sun)shade will be controlled when rain is detected or the sensed light is below 2000 Lux. In this case a motor output (TDS13525 or TDS13526) is needed to control the shade motor. The use of an additional wind sensor can be advised in such cases.

**APPLICATION**  
Rain detection - metering (in combination with internal light sensor).

No Dark-Detect – Normal operation	X	X	X	0				
Dark Detect				1				

- CHARACTERISTICS**
- Modes:**
- 1a) Rain detection (default) – simple output contact (rain / no rain)
  - 1b) Rain detection + light sensor (2000 Lux fixed) – simple output contact (rain / no rain)
  - 2) Rain metering (=Tipping Bucket) – impulse output to TDS

Each of the sensitivity levels (set by switches 1 and 2) provides different trip and release points. There is much hysteresis built in, but real rain fall rates typically fluctuate, even in what you may perceive as a "steady rain", so expect the output to turn on and off. The output will remain on for between about 30 seconds and 5 minutes after the last detected rain drop, depending on sensitivity setting and actual conditions.

**Maintenance**  
TELETASK recommend annual treatment of the rain detector lens with a rain repellent. This prevents a condition where the TDS12285 reads high values because water droplets stuck on the detector get blown by the wind, causing high readings. With a rain repellent, larger droplets run off.

To prevent some piece of equipment from turning constantly on and off (or opening / closing, etc.) you can enable the Monostable extend (Switch 3). That will hold the output on for 15 minutes after the rain has ceased.

**SETTINGS**

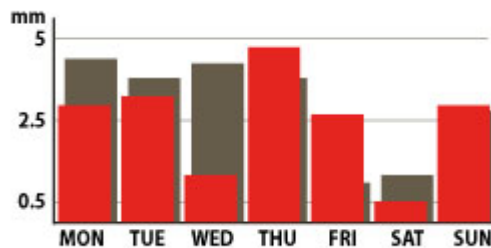
**DIP switches**  
Default factory setting dip switch 1 -> 8 = 00101000 (rain detection – very sensitive). See tables below for an overview of the modes and settings.

Dark Detect-- if enabled, the output will also turn on when the ambient light drops below about 2000 lux. This feature may be used to retract a sun-shade when it is dark.

**MODE 1**  
Rain detection  
APPLICATION It's raining.

**MODE 2**  
Rain metering (Tipping Bucket)  
APPLICATION e.g.: bar graph display on AURUS-TFT.

Rain detection mode turns on the output contact to indicate that it is raining. Use this mode to control equipment that should be controlled, enabled, open, closed, and so forth depending on whether or not it is raining. The output turns on when a given rate of rainfall is detected, and turns off after it has dropped below a threshold.



In tipping bucket mode, the TDS12285 effectively emulates a tipping bucket of the specified size. For example, if the DIP switches are set to a tipping bucket mode with a bucket size of 0.01mm, then the output will pulse ON for 50mS each time 0.01mm of water accumulates, just as a tipping bucket would. This can be externally totalized, and used to measure rainfall rates (Ex. MICROS, PICOS, TDS12117, ...).

Behaviour	Switch							
	1	2	3	4	5	6	7	8
Very sensitive – first detected raindrop	0	0						
Sensitive – turn on with very light rainfall (0.25mm per hour)	1	0						
Medium Sensitivity – turn on with medium rain (0.6mm per hour)	0	1	X	X				
Low Sensitivity– turn on in heavy rainfall (2.5mm per hour)	1	1			1	0	0	0
Output off when rain stops			0					
Output Monostable Extended by 15 minutes	X	X	1	X				

- For you information:
- Soft rain = 2mm/h
  - Day of light rain = 4mm/day (=0,16mm/h)
  - Gust of rain = 5mm/min (=300mm/h)
  - Heavy thunderstorm = 50mm/h
  - 1mm rainfall = 1litre per m<sup>2</sup>

Imperial bucket sizes are available as well.

Behaviour	Switch								
	1	2	3	4	5	6	7	8	
mm	Bucket Size = 0.2mm (small rainfall will not be detected)	0	0	1					
	Bucket Size = 0.01mm (recommended)	1	0	1					
	Bucket Size = 0.001mm (heavy rainfall we be less accurate)	0	1	1					
inch	Bucket Size = 0.01inch (small rainfall will not be detected)	0	0	0	0	0	0	0	0
	Bucket Size = 0.001inch (recommended)	1	0	0					
	Bucket Size = 0.0001inch (heavy rainfall we be less accurate)	0	1	0					

The rain detector can also be mounted on top of a tube (cut off the mounting arm and glue on the tube with water-resistant silicon or similar).

**CONNECTIONS**

**Inputs**  
9 – 24 VDC/AC (DC reverse polarity allowed).

**Outputs**  
1 Change-Over contact (Normal Open and Normal Closed contact).  
Max. load 1A, 24 VDC.

**Remark:** If you use 'rain detection mode' (mode 1), TELETASK strongly recommends Normal Closed contact for safety reasons. This has the advantage in case of cable rupture, the protection function will be activated.

**Important remark:** TELETASK does not claim this rain detector is perfect. Optical raindrop sensing has lots of advantages but also its limits.

**Remark:** Use cable rated for outdoor (high-UV) use.

**POWER CONSUMPTION**

20 mA nominal (no outputs on, not raining).  
55 mA with output on (with heater on at 24VDC).

**DIMENSIONS**

70 W x 75 H x 120 D (mm)

**NET | GROSS WEIGHT**

0,125 kg | 0,200 kg

**PACKAGING CONTENT**

1x TDS12285 detector  
1x Installation manual

**STORAGE**

**Temperature**  
-20°C to +65°C

**Relative humidity**  
15% to 85%

**IP PROTECTION RATE**

IP65

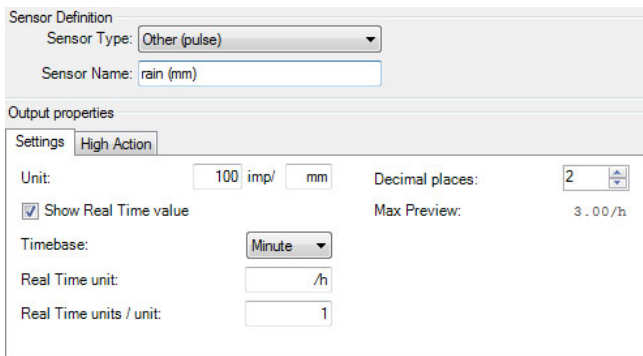
**OPERATING RANGE**

**Temperature**  
-40°C to +60°C max. (rain detection 0°C to + 60°C)

**LIMITED WARRANTY**

2 years

Configure in PROSOFT in combination with TDS12117 to show graphs.  
See setting below as example (Bucket Size = 0.01mm).  
First enable button: 'Use as pulse counter sensor'

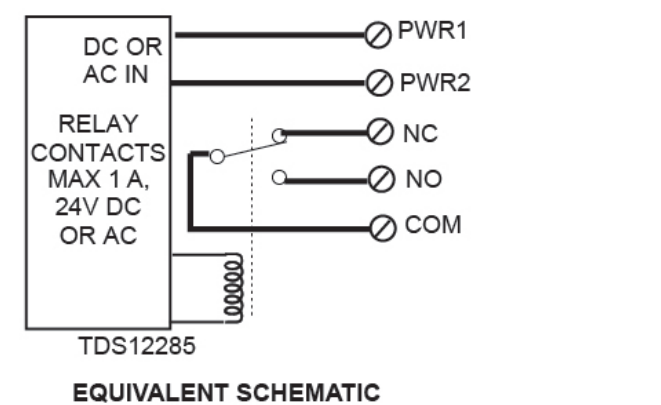
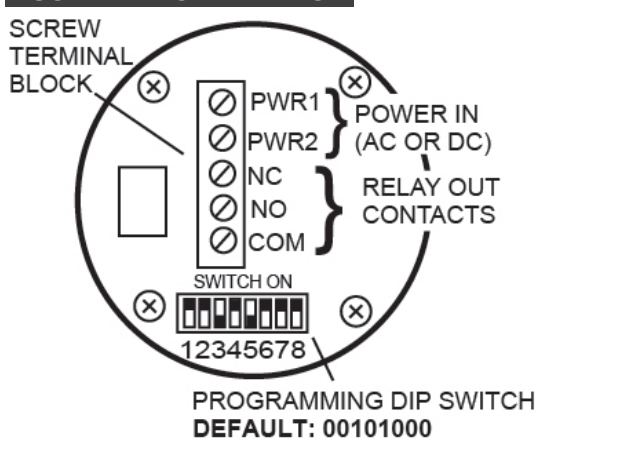


**INSTALLATION**

**Mounting**

Mount the rain detector where it gets a clear measurement of precipitation– away from overhangs, etc.  
The mounting arm is designed to fit over a 19mm wide bracket.  
Two 6mm holes are placed 19mm apart.

**SCHEMATIC DRAWING**





**TDS12287**

**Wind speed meter**

This outdoor wind speed meter is a three-cup sensor with low start speed which can measure wind speed up to 45m/s (162km/h). The TDS12287 is particularly useful to protect motorised outdoor shades and comparable devices, to avoid damage from high wind speed.

On the TDS system, the wind speed can be visualised as actual wind speed on the TELETASK touch panels, touch screens and also on mobile devices like a smart phone. On some of the TDS touch screens you can have wind speed line graphs (wind speed line graph of today, last week, last month and last year).

The wind speed output signal of the sensor is a 4-20mA current loop signal which means that the TDS system can also detect a broken wire or sensor failure, can take the shield in at that moment of error and send a 'wind sensor error' message to a touch screen.

**APPLICATION**

Wind speed metering with 4-20mA output for general purpose applications and in particular to be integrated with the TELETASK Home Automation system.

The sensor can be used for all kind of applications for residential and professional use like villas and apartments, large buildings like airports, ports, meteorology, environmental data applications, industrial and agricultural buildings and to protect general technical installations.

**CHARACTERISTICS**

The analogue output signal is a direct indication for the measured wind speed for speeds up to 45m/sec (162km/h)

**SETTINGS**

**Configuration**

Via PROSOFT Suite V3.0 or higher.

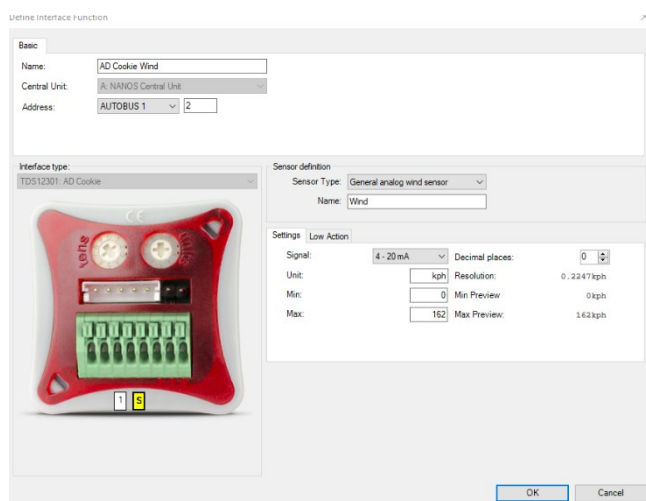
Set in PROSOFT: Type of sensor "general analog wind sensor"

Signal "4 – 20 mA"

Unit "kph"

Decimal places "0"

Min 0 ; Max 162



**INSTALLATION**

**Mounting**

On any flat surface, 30 cm away from the wall or other surface. Be sure that the sensor is installed where the wind speed is most important for the application. Preferably installed on top of the roof of the building at the highest point on a bracket of 30cm, or higher on a vertical pillar in the air.

Avoid that trees or buildings influence the metering. If you can't avoid this, take the possible error into consideration in your

PROSOFT settings. If used for protection of shades, please notice that a short wind burst may not be measured. Use the proper setting to avoid damage to the protected equipment.

**Supply voltage**

12VDC (minimum 9V).

- ! To be installed by a qualified person only.
- ! Follow the safety standards from the local authorities to be compliant with all regulations and safety equipment when working on heights.

**CONNECTIONS**

**Output**

4-20mA = 0-45m/s wind speed (0 - 162km/h).

Black wire: GND ; Red wire: +12V ; Yellow wire: 4-20mA out.

The sensor is provided with a signal cable with a connector close to the sensor for easy replacement in case of a failure.

Output impedance ≤900Ω

Calculation formula:

$$W(m/s) = (I - 4) \times 45 / 16 \quad (I = 4-20mA)$$

! Only connect/disconnect with power supply off.

The maximum length between the sensor and the analog input interface is 200 meter (3 x 0.5mm<sup>2</sup>).

If there is a fourth (spare) wire in the cable, connect it with GND at the interface side. Do not connect it at the sensor side.

Same for the shield if you use a shielded cable.

**POWER CONSUMPTION**

Max 0.5W (42mA on 12V supply)

**DIMENSIONS**

Sensor housing: 18W x 160H x 180D (mm)

(ground plate diameter 70mm)

Sensor cable length: 3 meter

Alu mounting bracket:

Foot diameter: 88 mm - Mounting top: 66 x 85 mm

Total height: 300mm

**NET | GROSS WEIGHT**

Sensor: 0.25 kg | 0.55 kg

Alu mounting bracket 30cm: 0.30 kg | 0.42 kg

**PACKAGING CONTENT:**

TDS12287 black wind speed sensor with 3 meter black cable

Optional: Alu mounting bracket 30cm (black)

**ENVIRONMENTAL CONDITIONS**

**Storage (with no condensation or icing)**

Temperature: -35°C to +60°C max.

Relative humidity: 5% to 99% max.

**Operation (with no condensation or icing)**

Temperature: -35°C to +60°C max.

Relative humidity: 5% to 99% max.

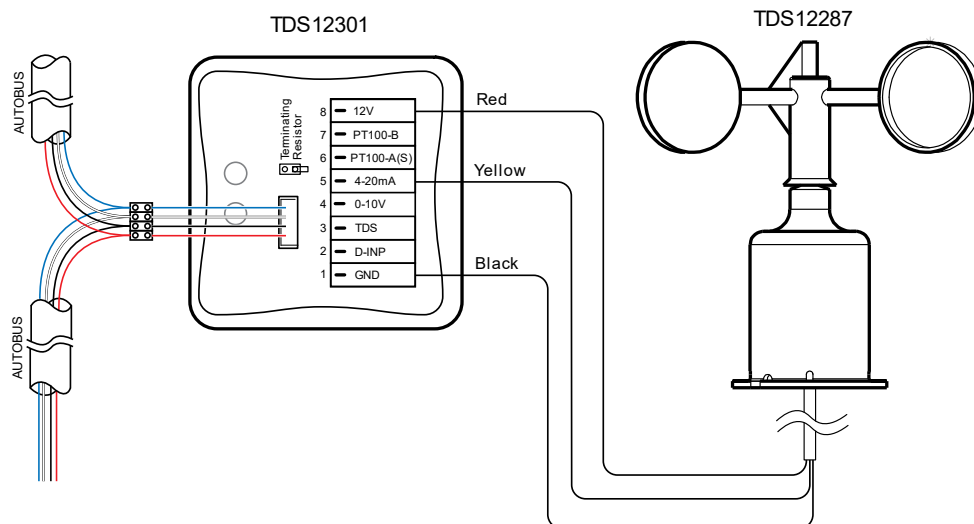
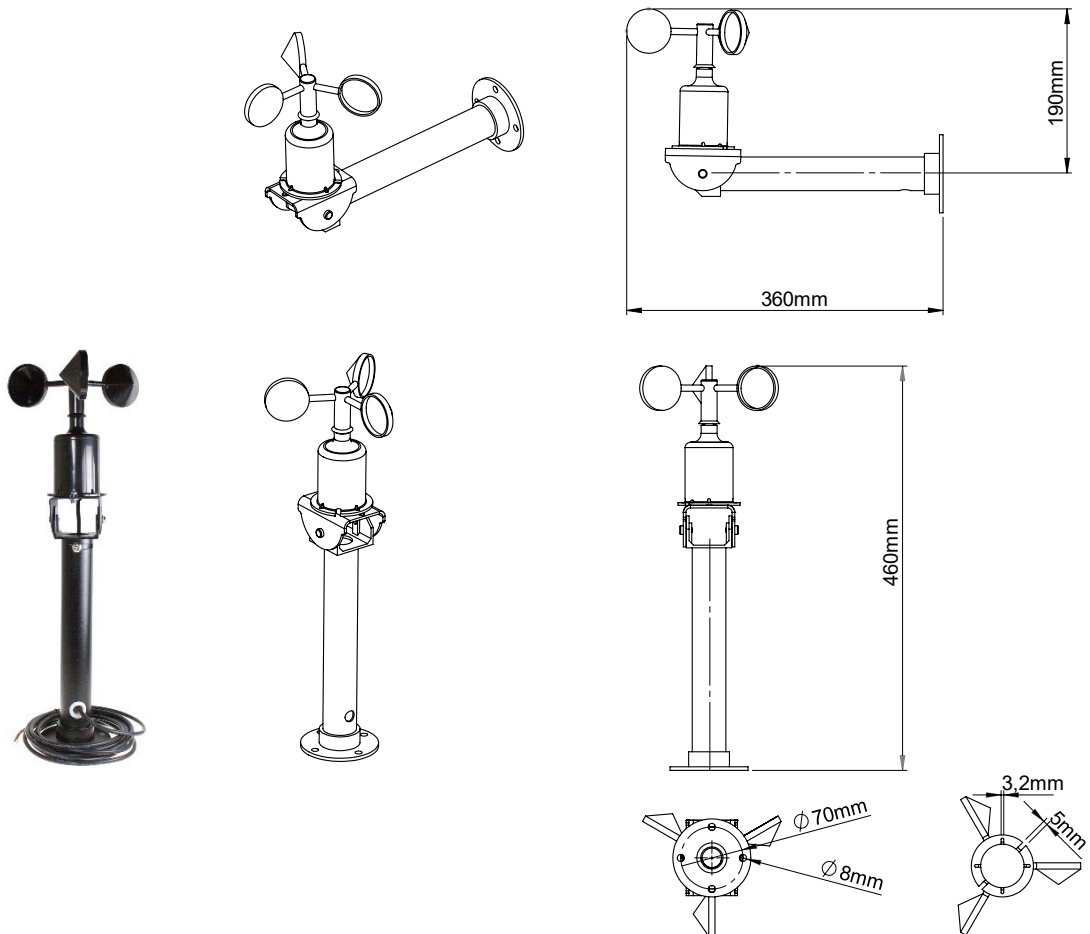
**IP PROTECTION RATE**

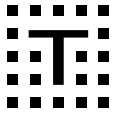
IP64

**LIMITED WARRANTY**

Four years: warranty voids when the unit is disassembled. Or when the sensor is damaged with sharp/heavy objects or corrosive liquids.

**SCHEMATIC DRAWINGS**





## **G. SOFTWARE LICENSES**



**TDS15101**

**iSGUI license for smartphones, tablets, PC and Mac**

**[EOL]**

This software license provides the possibility to access all of your domotics functions from a smartphone or tablet (Android, iOS), PC or Mac: lights, heating/cooling, doors, gates, curtains, shutters, moods, motors, sensors, audio,... and IP cameras.

The TELETASK Cloud option offers a secure connection when you are away from home without extra cost.

The configuration of the iSGUI is very easy. The configuration software PROSOFT will copy all the rooms & all functionalities directly and automatically. No extra configuration is needed. With one iSGUI software license, up to 5 simultaneous connections can be made at the same time with the central unit.

**APPLICATION**

Remote (and local) control of all domotics functions from your (mobile) device.

**SYSTEM REQUIREMENTS**

Minimum screen resolution: 360x480.

**iOS (iSGUI V2.6):**

- iOS 9 or higher

**Android Smartphone or tablet (iSGUI V2.6):**

- ARMv7 or x86 processor with vector FPU, minimum 550MHz, OpenGL ES 2.0, H.264 and AAC HW decoders
- Android™ 4.0 or higher

**Windows PC (iSGUI V2.6):**

- Windows 7, Windows 8.1, Windows 10

**MAC OS (iSGUI V2.6):**

- macOS 10.9 Mavericks or higher

**Camera visualization**

Supports IP cameras with Motion JPEG (MJPEG) encoding (Still Image or Streaming) via HTTP protocol (URL must be available). Must be tested before use. Password protection is supported.

**SETTINGS**

**Configuration**

Automatic configuration based on rooms and icons in PROSOFT.

Manual configuration and manual fine-tuning of the screen menu's is also possible using PROSOFT.

**INSTALLATION**

Use GUIISOFT (PROSOFT Suite 3.6 software or higher).

For detailed information on how to prepare and install iSGUI, see our technical handbook.

**Activation**

Online - [www.teletask.be](http://www.teletask.be). An activation file can be downloaded if the following data is provided: License code, the type and serial number of the Central Unit.

**Test mode**

Test mode available (without license) during maximum 3 days.

**Demo mode**

Press the 'Demo' button on first launch to control our TELETASK Demo house.

**CONNECTIONS**

**Local access**

Through local Wi-Fi Access point or router with Wi-Fi.

**Mobile access 3G, 4G, ... or Wi-Fi (at home or away)**

TELETASK Cloud

TELETASK offers a powerful cloud solution for the simple integration of mobile devices via a safe TLS connection. The major advantage of this integration compared with VPN is that it is both easy and safe.

VPN

Through Wi-Fi hotspot or mobile data connection (EDGE, 3G, HSDPA, 4G...), secured with VPN connection. An (additional) router with VPN technology and DNS service are required. Find more detailed information in the installation manual.

**PACKAGE DIMENSIONS**

175 W x 250 H x 3 D (mm)

**PACKAGE WEIGHT**

0,1 kg

**PACKAGE CONTENT**

License code for iSGUI for smartphone, tablet, PC and Mac. Quick installation manual.



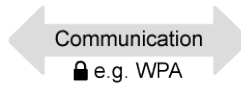
**SCHEMATIC DRAWING**

**Local WiFi**

**Router + Central unit**  
IP configuration

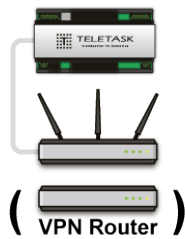


**iSGUI**  
On local WiFi



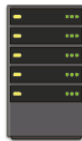
**Classic VPN setup**

**Router + Central unit**  
DNS configuration  
VPN configuration

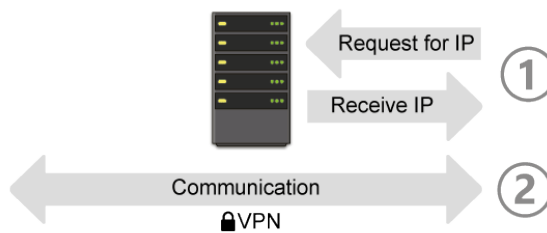


Additional VPN router  
required if not compatible

**DNS**  
(paid service)  
DNS configuration



**iSGUI**  
VPN configuration  
URL configuration



Activate VPN  
for each use

**Cloud setup**

**Router + Central unit**  
No configuration



**TELETASK Cloud**  
User configuration



**iSGUI**  
Login



**TSF16101**

**ATMOS app for mobile devices and PC**



The ATMOS app provides the ability to access your integrated TELETASK functions from a smartphone, tablet (Android, iOS) and PC (Windows). For example, to visualize and control lighting, heating/cooling, doors, gates, curtains, shades, audio, wall sockets, cameras etc.

To use the ATMOS app, you need an ATMOS online subscription which you can purchase at [www.teletask.be](http://www.teletask.be) / "TTecomm".

**APPLICATION**

Remote (and local) control of all integrated home/building automation functions from your mobile device. One app for all! With one ATMOS software subscription, up to 5 simultaneous connections can be established.

**SYSTEM REQUIREMENTS**

Minimum screen resolution: 480x640.

**iOS:**

iOS 14 or higher

**Android Smartphone or tablet**

Android™ 8.0 or higher

**Windows PC**

Microsoft Windows 10 or higher

**Camera visualization**

Supports MPEG4 IP cameras.

**SETTINGS**

**Configuration**

Automatic configuration based on rooms and icons in PROSOFT. For large projects, the building can be divided in Sections for ease of use. The ATMOS app connects via the internet to the TELETASK Cloud, which offers a secured connection with your home. ATMOS can also connect and be used 'local' via Wi-Fi. The configuration software PROSOFT will copy all the rooms & their functionalities to your app screens. No extra configuration is needed, but if desired, manual changes, like ordering and limiting of rooms and functions are possible.

**INSTALLATION**

Use GUIISOFT (PROSOFT Suite 4.0.1 software or higher). For detailed information on how to prepare and install ATMOS, see the on-line Technical handbook via [www.teletask.be](http://www.teletask.be) – in the Professional menu.

**RENEWABLE SUBSCRIPTION**

You can buy an ATMOS subscription via your system integrator. You can purchase a subscription for 1, 3, 5 or ten years. After this period TTecomm can automatically renew it if the linked credit card is still valid.

iSGUI activation year	Transition program for iSGUI owners to ATMOS
2023	+4 year free subscription (paid subscription from 01/01/2028)
2022	+3 year free subscription (buy subscription from 01/01/2027)
2021	+2 year free subscription (buy subscription from 01/01/2026)
2020	+1 year free subscription (buy subscription from 01/01/2025)
2019	free subscription until 31/12/2023 (buy subscription from 01/01/2024)
2018 or older	Buy an ATMOS subscription

**Test mode**

Test mode available during maximum 3 days.

**Demo mode**

Press the 'Demo' button on first launch to control a compact TELETASK demo house.

**CONNECTIONS**

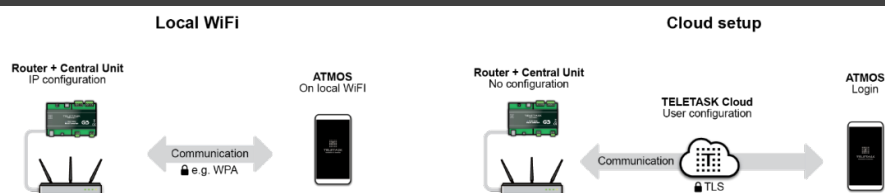
**Mobile access or Wi-Fi**

**TELETASK Cloud**  
TELETASK offers a powerful cloud solution for the simple integration of mobile devices via a highly protected connection. The major advantage of this integration compared with VPN is that it is both simple to setup, it is highly secured and it doesn't need any maintenance. You only need your TTcloud account credentials.

**Local access (only Wi-Fi)**

The ATMOS can connect through your LAN (local area network) with the central unit by entering the IP address. The central unit itself should be added to TTCloud and a regular connection from the central unit to the cloud is necessary to update the subscriptions locally (a permanent internet connection of the central unit is recommended.)

**SCHEMATIC DRAWING**



### TDS15105

### GUI+ (Software License)



This software license allows central access to all of your home automation functions from any Windows desktop, touch screen PC, laptop, tablet or ultra mobile PC.

The GUI+ controls all domotic functions, in an intuitive manner, using floor plans, photographs or schemes of your house/project. By "drag and drop" from a library containing hundreds of icons, it is possible to create a beautiful graphical user interface.

The application which can be installed on the target device (touch screen PC, laptop, ...) is free for download at [www.teletask.be](http://www.teletask.be) and can be used in demo-mode for 3 days.

#### APPLICATION

Local and remote control of all domotics functions using a desktop, a touch screen PC, a notebook, a tablet or ultra mobile PC.

#### CHARACTERISTICS

For Windows 7 / 8 (not RT) / 10.

Works in "full screen" or "window" mode.

#### License

The license provides one connection between a DOIP Central Unit and a connected GUI+. This is independent from the device on which the GUI+ is running. The GUI can be installed on multiple devices but to use multiple GUI's at the same time, they will all need an individual license.

#### Data

Automatically loaded from Central Unit.

#### Camera visualization

Supports IP cameras with Motion JPEG (MJPEG) encoding (Still Image or Streaming) via HTTP protocol (URL must be available). Must be tested before use. Password protection is supported.

For any other types of camera, use the browser function.

#### Video door phone and Intercom

For video specifications, see item Camera above.

For phone and intercom a VoIP (SIP) server is required.

#### Browser

Dynamic HTML pages, e.g. camera's, weather forecast, traffic information, e-mail, news channels, social network websites, ...

#### Charts

History of any relay, dimmer, motor, sensor or flag.

#### SETTINGS

Easy "drag and drop" configuration in PROSOFT Suite.

#### INSTALLATION

By GUIISOFT in PROSOFT Suite (starting from PROSOFT Suite 3.2 or higher). For detailed information see the "technical handbook", section "GUIISOFT".

#### Activation

Online - [www.teletask.be](http://www.teletask.be). An activation file can be downloaded if the following data is provided: the License code, the type and serial number of the Central Unit.

#### Test mode

Available (without activation) for a maximum of 3 days.

#### CONNECTIONS

##### LAN

Through Ethernet or via a Wi-Fi Access point/router.

##### WAN

Through Ethernet, Wi-Fi hot spot or mobile data connection (GPRS, EDGE, 3G, HSDPA, ...), secured with a VPN connection. A mobile data subscription and router with VPN technology are required. See technical handbook, for more detailed information.

#### PACKAGE DIMENSIONS

175 W x 250 H x 3 D (mm)

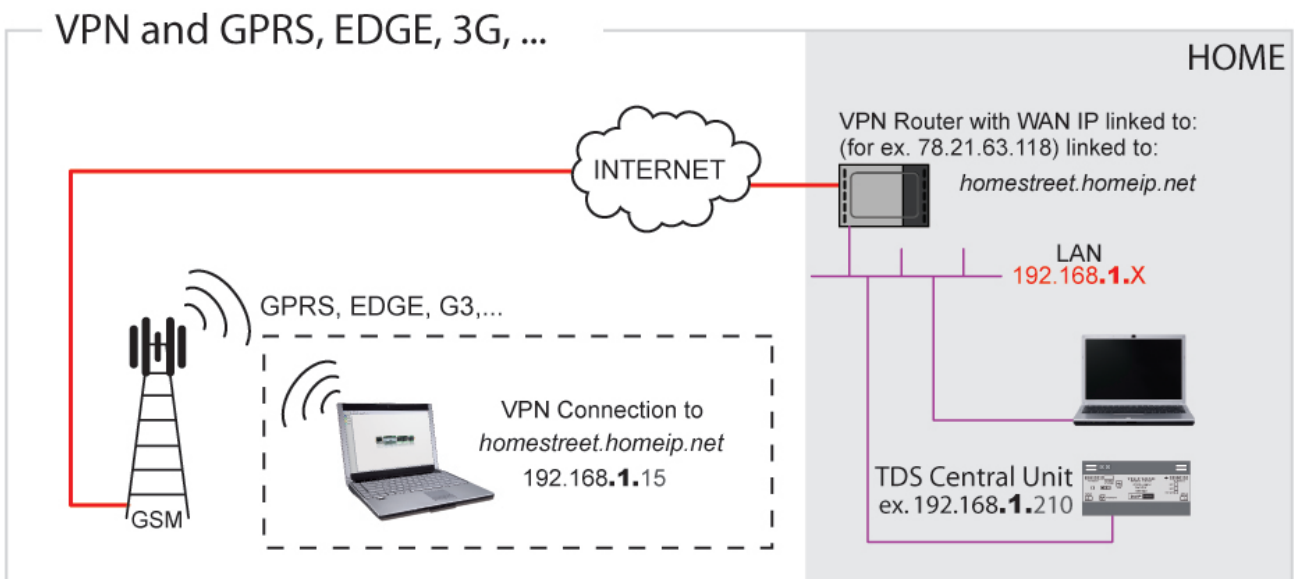
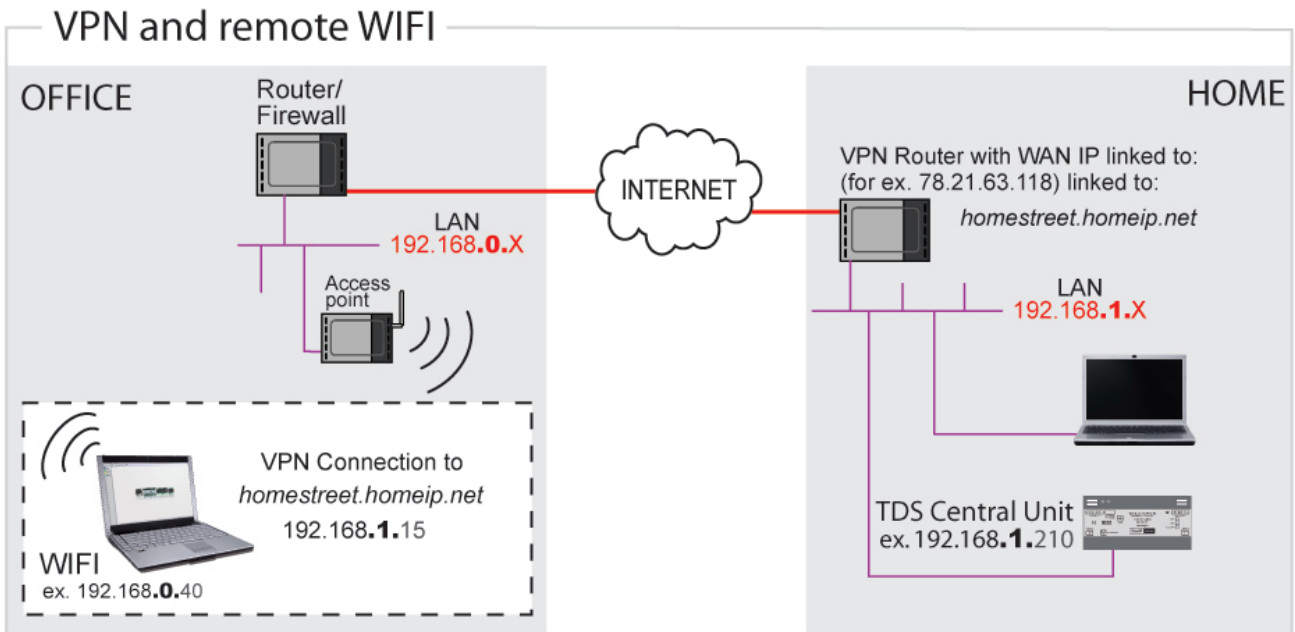
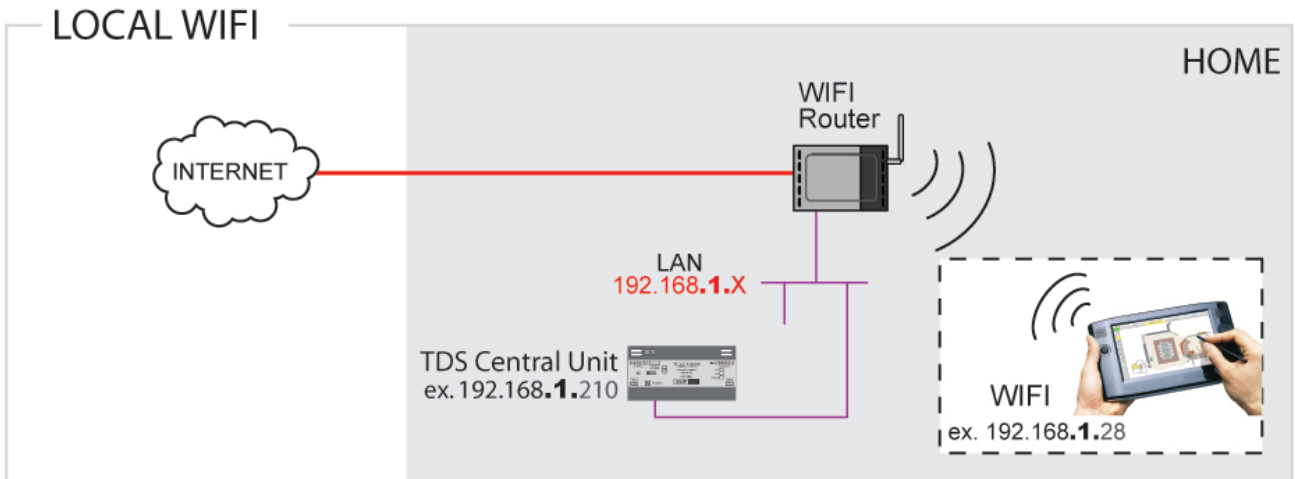
#### PACKAGE WEIGHT

0,1 kg

#### PACKAGE CONTENT

License code for GUI+.

**SCHEMATIC DRAWING**





**TDS1511x**

**CONTROL TOWER Master or Client licenses**

“CONTROL TOWER” is the perfect solution for managing and safeguarding multiple buildings like houses, flats, offices, shops, showrooms, service flats, hotel rooms, etc.... This contains safeguarding of technical alarms and the control of all available integrated home- and building automation features. In other words, Control Tower enables you to offer technical alarm management and additional services to the people living or working in the connected buildings.

A project may contain up to 250 Clients (houses/buildings) and up to 6 online Master PC's.

**APPLICATION**

Local and remote control of houses/buildings using a Microsoft PC.

**CHARACTERISTICS**

For Windows 7 / 8 / 8 Pro (not Windows 8 RT) / 10. Works in “full screen” mode.

**License system**

For every project, only one TDS15110 Master license is needed.

For every Client building (= nbt file) a TDS15111 Client license is needed. Every Client can be real-time connected with up to 3 Master PC's. If more than 3 real-time Masters are needed, a second Client license is needed in every Client building.

**Camera visualization**

Supports IP cameras with Motion JPEG (MJPEG) encoding (Still Image or Streaming) via HTTP protocol (URL must be available). Must be tested before use. Password protection is supported.

For any other types of camera, use the browser function.

**Browser**

Dynamic HTML pages, e.g. camera's, weather forecast, traffic information, e-mail, news channels, social network websites, ...

**SETTINGS**

Easy “drag and drop” configuration in PROSOFT Suite and the CONTROL TOWER configurator.

**INSTALLATION**

By GUIISOFT in PROSOFT Suite (starting from PROSOFT Suite 3.3.0.60 or higher) and the CONTROL TOWER configurator. For detailed information see the “technical handbook”, section “Creating a Control Tower”.

**Activation**

Online - [www.teletask.be](http://www.teletask.be). An activation file can be downloaded if the following data is provided: the License code, the type and serial number of the Central Unit.

**Test mode**

Available (without activation) for a maximum of 30 days for the TDS15110 Master license (3 days for the TDS15111 Client license).

**CONNECTIONS**

**LAN**

Through Ethernet or via a Wi-Fi Access point/router.

**WAN**

Through Ethernet, Wi-Fi hot spot or mobile data connection (GPRS, EDGE, 3G, 4G, HSDPA, ...), secured with a VPN connection. A mobile data subscription and router with VPN technology are required. See technical handbook, for more detailed information.

**Secured connection**

TELETASK recommends the use of a VPN connection to the individual buildings. A single VPN router is sufficient for a full protected high speed communication. At CONTROL TOWER site, a multi-VPN router is to be used. Such devices are available on the ICT market as standard devices from different brands.

**PACKAGE DIMENSIONS**

175 W x 250 H x 3 D (mm)

**PACKAGE WEIGHT**

0,1 kg

**PACKAGE CONTENT**

**TDS15110**

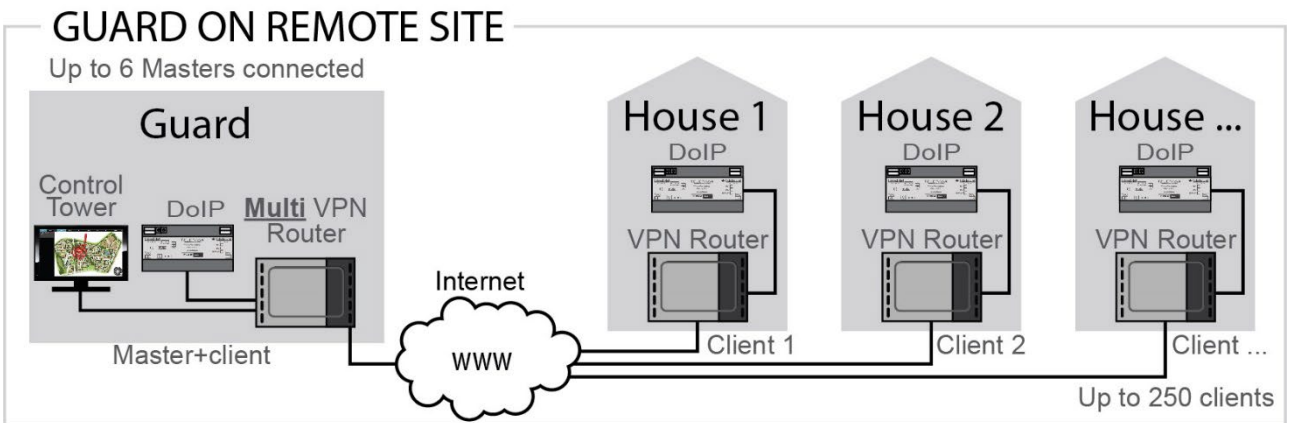
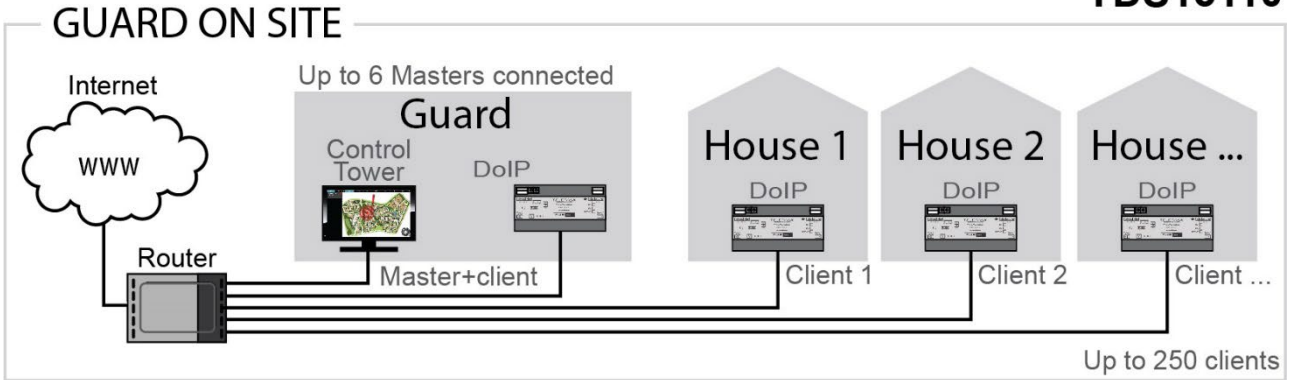
License code for CONTROL TOWER Master license.

**TDS15111**

License code for CONTROL TOWER Client license.

**SCHEMATIC DRAWING**

**TDS15110**





## TSF16100

## REMOTE SERVICES subscription

The REMOTE SERVICES subscription allows the System Integrator to open and edit his .nbt file in PROSOFT and be connected to the central unit from a remote site. The central unit needs to be connected with a wired internet connection. A 4G connected router may not have the necessary bandwidth. PROSOFT establishes a secured connection from the system integrator's PC to the TTcloud and from there to the central unit(s) of the TDS DoIP installation.

### APPLICATION

All PROSOFT functions are available, including transmit, upgrade central unit, diagnostics with interface updates and more.

The system integrator can do configuration changes, transmit to the central unit and find defect interfaces in diagnostics.

It is also possible to make a backup of the .nbt file for safety reasons (if the central unit would ever be defect).

### TECHNICAL ADVANTAGES

- No hardware to be installed
- Easy set up (works automatically)
- More comfortable in use and has no maintenance as with a VPN connection.
- No settings to be done when the internet provider makes (remote) changes or replaces the internet modem/router.
- No need for a fixed IP address
- No need to work with a DNS router.
- Including authenticated e-mails

### PLATFORM CONDITIONS

- For all DoIP central units which are TTcloud connected.
- PROSOFT V3.7.3 or higher

Available: fully operational since Q1 2020

### COST

The subscription has a limited yearly cost and is automatically renewed every year. The renewal can be stopped in TTecomm at any time and it will stay active until the renewal day.

The system integrator is informed 2 months before the renewal day which of all his subscriptions will be renewed. If the renewal fails because of a non-valid system integrator-credit card, he will be informed immediately to enter a valid credit card.

The TSF16100 subscription can be obtained by the system integrator in TTecomm (for professionals only)

See more details in the Technical Handbook on [www.teletask.be](http://www.teletask.be) – Professional – Technical Handbook.

## SCHEMATIC DRAWING



## TSF16120

## VOICE CONTROL subscription



Many TELETASK customers like to control their house/building by voice. You can use the TELETASK voice skills in many languages as far as they are available on your smart assistant and can be entered in PROSOFT.

You can use one or more smart assistants in your house/apartment, connected via WiFi to the LAN on which the TDS installation is connected. You only need (a) TELETASK DoIP central unit(s), an internet connection, the Voice Control TSF16120 subscription and some configuration in PROSOFT.

### PLATFORM CONDITIONS

- For all DoIP central units which are TTcloud connected.
- PROSOFT V3.7.3 or higher

Available: fully operational since Q1 2020

### SETTINGS

#### Configuration

Via PROSOFT Suite (3.7.3 or higher). Compatible with older PROSOFT versions if configured as TDSxxx.

### INSTALLATION

You will need to install the **Amazon** or **Google Home** app on your mobile device first before you can connect your smart assistant(s) with the TELETASK voice skills.

### SOME USAGE EXAMPLES

“Alexa, activate bathroom light”

“Alexa, activate diner mood”.

“Hey Google, activate wake-up mood”.

“Alexa, set bathroom temperature to 21 degrees”.

“Hey Google, dim the night hall lights to 30 percent”, “close the shades”.... You name it.

### COST

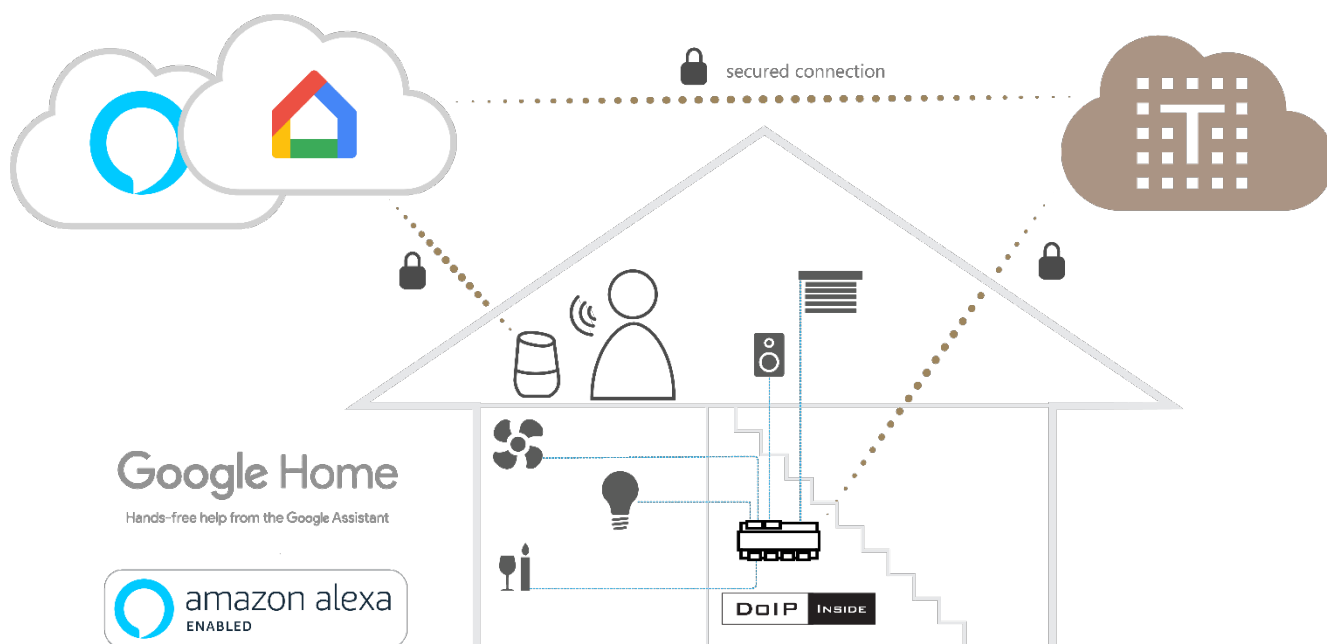
The subscription has a limited yearly cost and is automatically renewed every year. The renewal can be stopped in TTecomm at any time and it will stay active until the renewal day.

The system integrator is informed 2 months before the renewal day which of all his subscriptions will be renewed. If the renewal fails because of a non-valid system integrator-credit card, he will be informed immediately to enter a valid credit card.

The TSF16120 subscription can be obtained by the system integrator in **TTecomm** (for professionals only).

See more details in the Technical Handbook on [www.teletask.be](http://www.teletask.be) – Professional – Technical Handbook.

## SCHEMATIC DRAWING







## TDS15200

## Airco interface license

By means of this powerful software interface it is possible to integrate (bi-directional) an air conditioning system with the TELETASK Home automation system.

This license supports 'cool', 'heat', 'auto cool/heat', 'fan', 'fan speed control', 'direction',...

Current system included into the license:

DAIKIN systems (through iTouch).

Mitsubishi Electric: VRV system (through EW-50, AE-200, GB50 or AG150 gateway).

See also TDS20065.

### APPLICATION

To control an IP controllable airco system.

Example: you can control the airco temperature settings on a TELETASK touch panel/touch screen. At the other hand, you can also control the airco indoor unit with the airco remote control, and verify the new settings on the displays of the TELETASK system, ... and much more.

### CHARACTERISTICS

The system works with the information from the airco temperature sensors (no TDS12250xx or TDS12251 temperature sensors are needed for this application).  
 DAIKIN: A DAIKIN "iTouch" unit and software licenses DCS004A51 with DCS007A51 or DCM601A51 with DCM007A51, are required. You can control up to 128 units.

! Remark: Daikin touch panels need to be installed to ensure normal operation of the HVAC installation.

! MITSUBISHI EI.: A MITSUBISHI Electric EW-50 (no AUTO-mode on the R2 system), AE-200 (no AUTO-mode on the R2 system), GA150 or GB50 Gateway is required. Up to 50 units

can be controlled. On top, you can still control up to 50 zones using TELETASK sensors.

### SETTINGS

Set up the IP address on the airco interface.

### CONFIGURATION

TELETASK configuration via PROSOFT Suite (V3.2 and higher).

### CONNECTIONS

The TELETASK DOIP central unit and the airco IP unit are to be connected on a Local Area Network (Ethernet/LAN). De TELETASK DOIP Central Unit is equipped with default LAN connections. Only this TDS15200 license is needed.

### DIMENSIONS

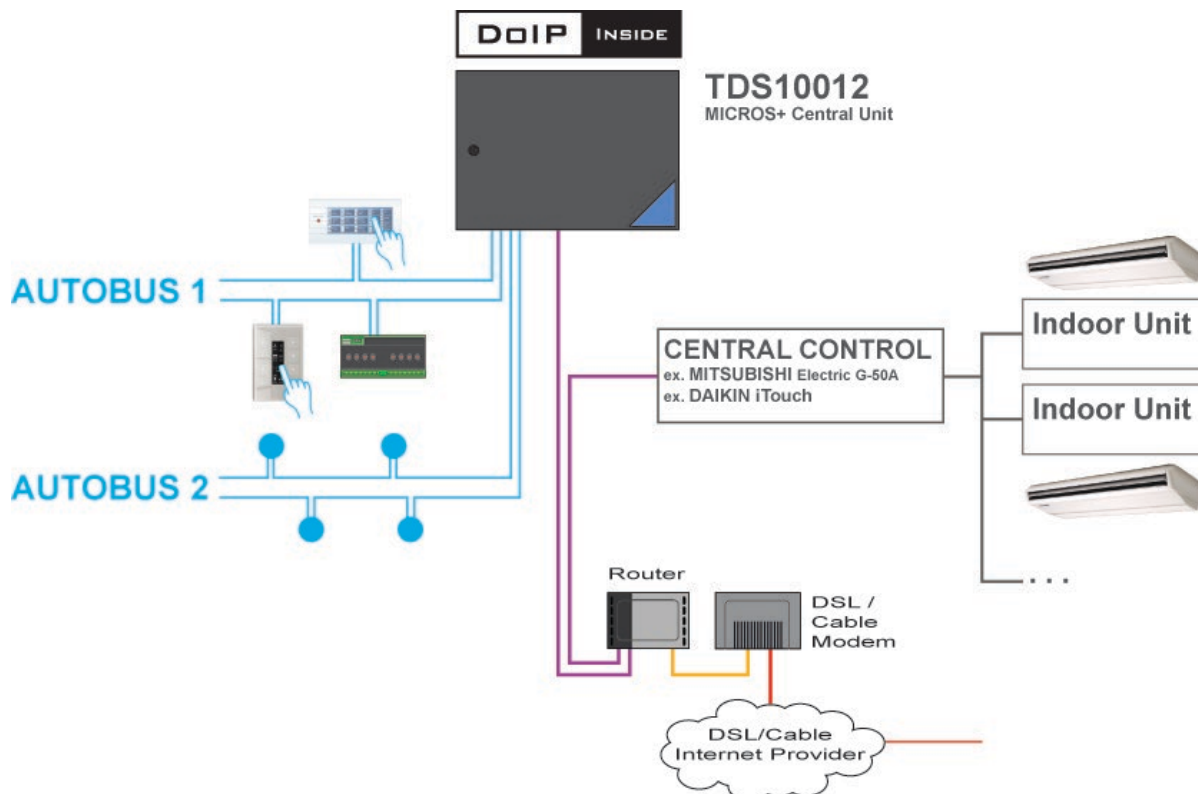
Software license packed in envelop.

175 L x 25 W x 5 T (mm).

### NET | GROSS WEIGHT

0,090 kg | 0,130 kg

## SCHEMATIC DRAWING





**TDS15240**

**Audio-IP software license**

To integrate multi-room/multi-source audio devices without complex wiring and additional hardware, you can use the TDS15240 Audio-IP software license. With this license you can control connected audio systems from anywhere with TELETASK touch panels, remote controls, standard push buttons, PC or mobile device. Depending on the device used, specific feedback can be displayed: volume, artist, album/track, ... Several devices are already predefined in the PROSOFT library and can be used with minimal configuration (Sonos, HEOS by Denon, NUVO, Yamaha, B&O, Bose Sound Touch,...). See the full list in the latest version of PROSOFT – AV-SOFT. Check also the Technical Handbook – [Audio-IP software license](#). Brand specific IP strings can be easily defined or customized in PROSOFT to control every available audio function.

**APPLICATION**

To control IP-connected audio / video systems

**CHARACTERISTICS**

**General**

With only one license you can connect an unlimited amount of audio-IP devices to a Central Unit.  
In all cases max. 50 audio zones per installation.  
Max. 16 sources (per audio device).  
Socket based serial HEX or ASCII string (no http, xml, json,...).  
'Unlimited' number of feedback / polling codes.  
'Test mode' available (3 days).

- ! Remark: To control audio devices from a PC's or a mobile device, additional iGUI or GUI+ licenses may apply.
- ! Remark: We advise to use one brand of audio system. However, the use of different systems in one installation is possible but can cause delay especially in SONOS.
- ! Remark: One license is connected to one central unit. When different central units with one .nbt file are used in one

installation – every central unit that needs an audio connection, will need a separate license.

! Remark: In case of Heos (Denon) or Nuvo the limit is 20 zones per central unit

! Remark: In case of Sonos or Bose the limit is 8 zones per central unit

**SETTINGS**

**Configuration**

Via PROSOFT Suite 3.4 or higher.  
See the TELETASK Technical Handbook for implementation.

**DIMENSIONS**

Software license packed in envelope.  
175 W x 25 H x 5 D (mm).

**NET | GROSS WEIGHT**

0,090 kg | 0,130 kg

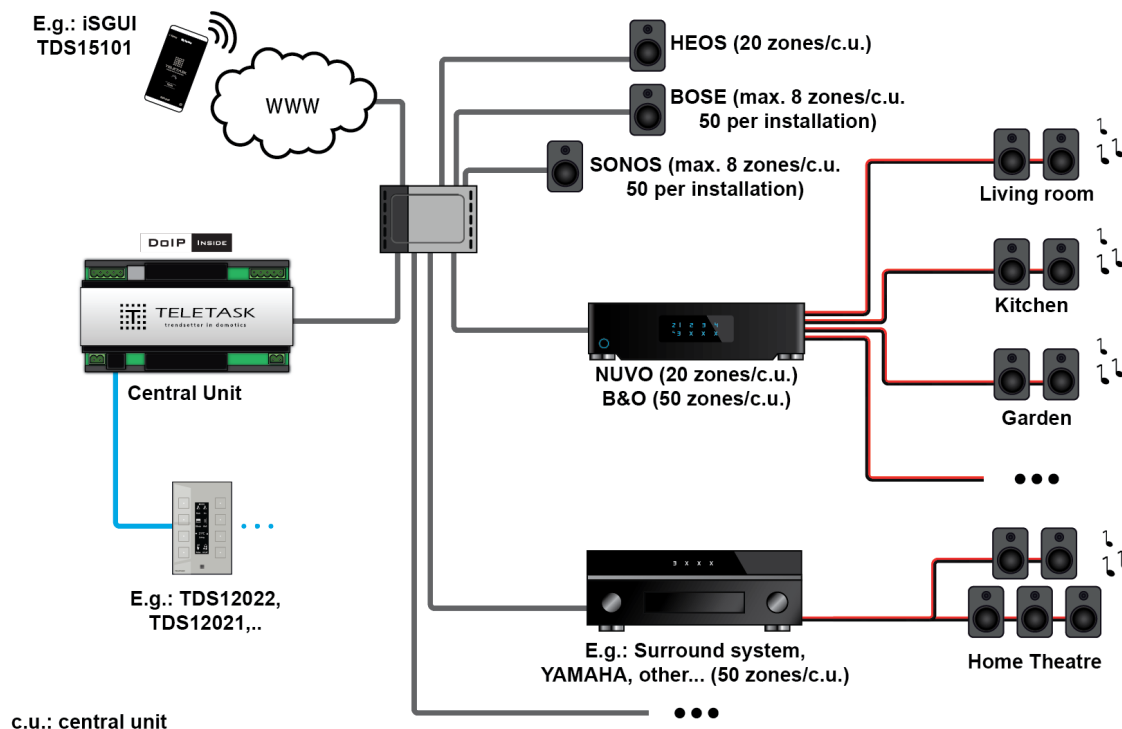
**PACKAGING CONTENT**

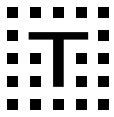
TDS15240 license

**SCHEMATIC DRAWING**

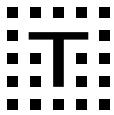
**Example configuration**

**TDS15240**





## **H. OUTPUT INTERFACES**



**TDS13504**

**Relay interface 4x10A**

Relay interface with four single pole power relay contacts; each 10A/250VAC for general purpose ON/OFF control.



**APPLICATION**

Relay interface 4 x10A for ON/OFF control of (LED)lights, light circuits, power supplies, LED drivers, ... and other low/medium power devices including DC 12V and 24V applications.

**CHARACTERISTICS**

**General**

Four single pole, normal open, contacts..  
Switching power per relay output:

- $I_N = 10A/250VAC$  (30Amp inrush - 20ms)
- $I_{HI} = 30A$

All contacts are open when not powered.

**Relay**

Contact material	AgSnO <sub>2</sub>
Max. switching power	2500 VA
Max. switching current	10A
Mechanical life	1 000 000
Test voltage	4000 V eff. (coil-contact)
Test voltage	1000 V eff. (open contact)

**LED feedback**

- Relay status feedback (4x) with LED indication:
  - a. no pulse= R1 and R2 are not powered (contacts open)
  - b. 1 pulse= only R1 is ON (contact is closed)
  - c. 2 pulses= only R2 is ON (contact is closed)
  - d. 3 pulses= R1 and R2 are ON
- Heartbeat (0.5Hz blink = operational; fast blink = communicating)

**SETTINGS**

**Configuration**

Via PROSOFT Suite (3.8.4 (or higher).

**AUTOBUS address**

Via two rotary switches "Tens" & "units".

**Jumpers**

Terminating resistor (supplied with central unit). To be used when the interface is at the physical begin/end of the AUTOBUS cable.

**INSTALLATION**

**DIN-rail mounting**

4 modules wide.

**Supply voltage**

12V supplied by the AUTOBUS (minimum 9V). Can be checked in PROSOFT diagnostics.

**Important installation remarks**

- ! Must be placed inside an electrical cabinet to avoid the risk of an electrical shock.
- ! Follow the safety standards from the local authorities to be compliant with all regulations.

**CONNECTIONS**

**AUTOBUS**

AUTOBUS connector set + patch cable (supplied with the interface).

**Contacts**

265VAC max.  
Screw terminals; max. 4mm<sup>2</sup> (solid) (AWG12) or 2,5mm<sup>2</sup> (stranded) (AWG14).

- ! Must be protected with external (max.) 10A fuses.

**POWER CONSUMPTION**

**AUTOBUS**

Min. 20 mA (all relays OFF)  
Max. 75 mA (all relays ON)

**DIMENSIONS**

72 W x 90 H x 60 D (mm)

**NET | GROSS WEIGHT**

0,152 kg | 0,222 kg

**PACKAGING CONTENT:**

TDS13504 interface  
AUTOBUS connector set  
AUTOBUS Patch cable

**STORAGE**

**Temperature**

-20°C to +65°C

**Relative humidity**

15% to 85%

**IP PROTECTION RATE**

IP20

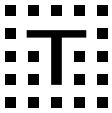
**OPERATING RANGE**

**Temperature**

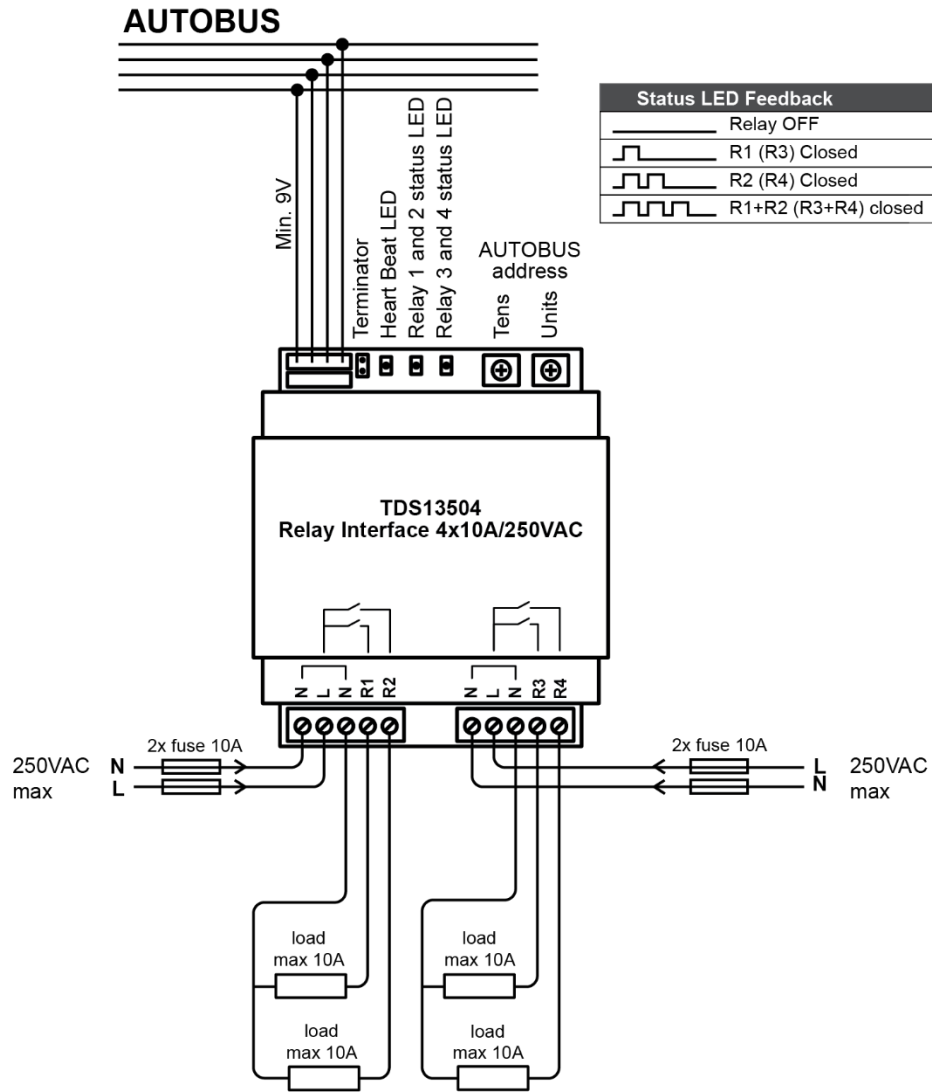
0°C to +50°C max.

**Relative humidity**

5% to 80% at 25°C (non-condensing ambient)



**SCHEMATIC DRAWING**



### TDS13510

### Relay interface 8x16A (with manual control)



Relay interface with eight single pole power relay contacts of 16A/250V. Each relay has its own manual control. In case of power failure, or when the central system should fail, the user is able to decide the setting of the relay contact by the provided top notch. After power and/or control is active again, the system automatically takes control of the eventually changed relay settings.

#### APPLICATION

To be used when high power contacts are needed. The manual control of the output contacts makes this interface attractive to be used to control critical circuits (for example to control some basic light circuits in the house).

#### CHARACTERISTICS

##### General

8 single pole, normal open, bistable relays.  
Switching power per relay output:

- $I_N = 16A/250V$  (minimum load 5W)
- $I_{HI} = 100A$

Full manual control available.

The contacts remain in their position when power (over AUTOBUS) fails.

##### Relay

Contact material	AgCdO-AgNi
Max. switching power	4000 VA
Max. switching current	16 A
Mechanical life	10 000 000
Test voltage	4000 V eff. (coil-contact)
Test voltage	1000 V eff. (open contact)

##### LED feedback

- Heartbeat

#### SETTINGS

##### Configuration

Via PROSOFT Suite (3.5.6 or higher).  
Compatible with older PROSOFT versions if configured as TDS13500.

##### AUTOBUS address

Via two rotary switches "Tens" & "units".

##### Jumpers

Terminating resistor (supplied with the central unit). To be used when the interface is at the physical end of the AUTOBUS cable.

#### INSTALLATION

##### DIN-rail mounting

9 modules wide.

##### Supply voltage

12V supplied by the AUTOBUS (minimum 9V).

##### Important installation remarks

- ! Must be placed inside an electrical cabinet to avoid the risk of an electrical shock.
- ! Follow the safety standards from the local authorities to be compliant with all regulations.

#### CONNECTIONS

##### AUTOBUS

AUTOBUS connector set + patch cable (supplied with the interface).

##### Contacts

265 VAC max.  
Screw terminals; max. 4mm<sup>2</sup> (solid) (AWG12) or 2,5mm<sup>2</sup> (stranded) (AWG14).

- ! Must be protected with external 16A fuses.

#### POWER CONSUMPTION

##### AUTOBUS

Max. 36 mA (all relays OFF = all relays ON)

#### DIMENSIONS

162 W x 90 H x 60 D (mm)

#### NET | GROSS WEIGHT

0,450 kg | 0,570 kg

#### PACKAGING CONTENT:

TDS13510 interface  
AUTOBUS connector set + terminating resistor  
AUTOBUS Patch cable

#### STORAGE

##### Temperature

-20°C to +65°C

##### Relative humidity

15% to 85%

#### IP PROTECTION RATE

IP20

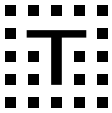
#### OPERATING RANGE

##### Temperature

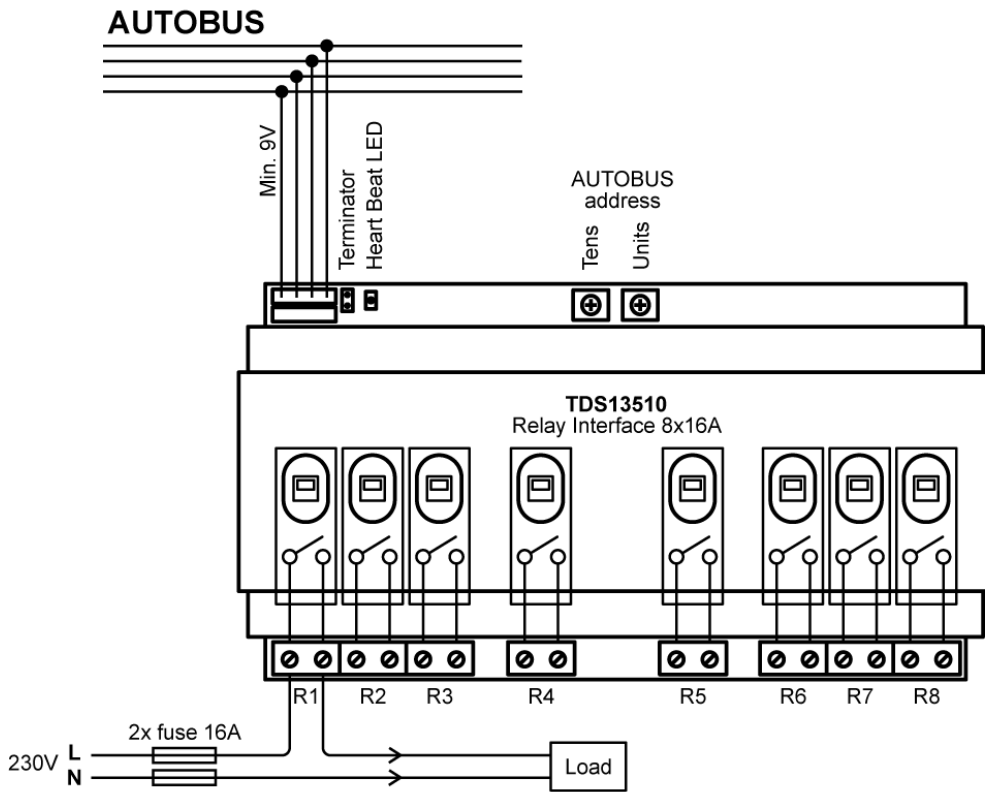
0°C to +50°C max.

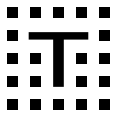
##### Relative humidity

5% to 80% at 25°C (non-condensing ambient)



**SCHEMATIC DRAWING**





**TDS13512**

**Relay interface 8x10A**

Relay interface with eight single pole power relay contacts of 10A/265VAC for general purpose ON/OFF and pulse control.



**APPLICATION**

Relay interface 8x10A for ON/OFF and pulse control of the connected device. TDS13512 replaces the TDS13502.

**CHARACTERISTICS**

**General**

8 single pole, normal open contact relays.  
Switching power per relay output:

- $I_N = 10A/265VAC$  (60Amp inrush - 20ms)
- $I_{HI} = 60A$

Contact is always open when not powered via AUTOBUS.

**Relay**

Contact material	AgSnO <sub>2</sub>
Max. switching power	2500 VA
Max. switching current	10 A
Mechanical life	1 000 000
Test voltage	4000 V eff. (coil-contact)
Test voltage	1000 V eff. (open contact)

**LED feedback**

- Relay status (8x)
- Heartbeat

**SETTINGS**

**Configuration**

Via PROSOFT Suite (3.5.12 or higher).  
Compatible with older installations if configured in PROSOFT as TDS13502 or TDS13500.

**AUTOBUS address**

Via two rotary switches "Tens" & "units".

**Jumpers**

Terminating resistor (supplied with the central unit). To be used when the interface is at the physical end of the AUTOBUS cable.

**INSTALLATION**

**DIN-rail mounting**

9 modules wide.

**Supply voltage**

12V supplied by the AUTOBUS (minimum 9V). Can be checked in PROSOFT diagnostics.

**Important installation remarks**

- ! Must be placed inside an electrical cabinet to avoid the risk of an electrical shock.
- ! Follow the safety standards from the local authorities to be compliant with all regulations.

**CONNECTIONS**

**AUTOBUS**

AUTOBUS connector set + patch cable (supplied with the interface).

**Contacts**

265 VAC max.  
Screw terminals; max. 4mm<sup>2</sup> (solid) (AWG12) or 2,5mm<sup>2</sup> (stranded) (AWG14).

! Must be protected with external (max.) 10A fuses.

**POWER CONSUMPTION**

**AUTOBUS**

Min. 20 mA (all relays OFF)  
Max. 145 mA (all relays ON)

**DIMENSIONS**

162 W x 90 H x 60 D (mm)

**NET | GROSS WEIGHT**

0,345 kg | 0,465 kg

**PACKAGING CONTENT:**

TDS13512 interface  
AUTOBUS connector set + terminating resistor  
AUTOBUS Patch cable

**STORAGE**

**Temperature**

-20°C to +65°C

**Relative humidity**

15% to 85%

**IP PROTECTION RATE**

IP20

**OPERATING RANGE**

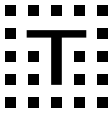
**Temperature**

0°C to +50°C max.

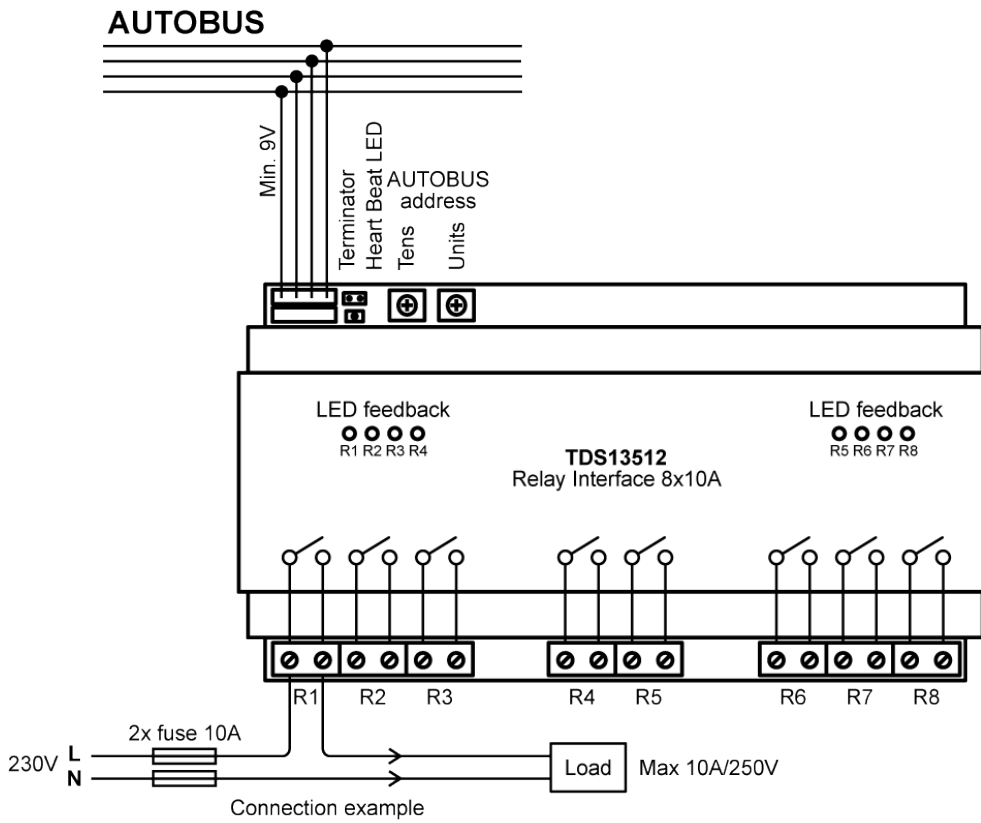
**Relative humidity**

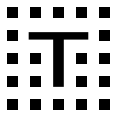
5% to 80% at 25°C (non-condensing ambient)





**SCHEMATIC DRAWING**





**TDS13525**

**Motor interface DC (4x2A)**



The DC motor interface is designed to control DC motors, often found in curtains, roof mounted sun blinds, small Venetian blinds, etc... The interface can control up to four DC motors with supply voltages from 12 and 24VDC. The interface is provided with short-circuit and overload protection.  
Nominal motor current can be up to 2A per motor (8A/12-24V DC in total).

**APPLICATION**

Output interface to control low voltage DC motors with a supply voltage of 12 to 24VDC as used in electrical curtain systems, sun blinds, etc...

**CHARACTERISTICS**

4 motor outputs with a nominal load of up to 2A per motor.  
Max. runtime = 250s.

**SETTINGS**

**Programming:**

Via PROSOFT, starting with version 2.75 Compatible with older PROSOFT versions (2.63 and up) if configured as TDS13524.

**AUTOBUS address:**

With rotary switches Tens + Units

**Jumpers**

Terminating resistor (supplied with the central unit). To be used when the interface is at the physical end of the AUTOBUS cable.

**INSTALLATION**

**DIN-rail mounting**

9 modules wide

**CONNECTIONS**

**AUTOBUS:**

AUTOBUS connector set + patch cable supplied with this unit

**Motor power supply:**

Depending on the motor voltage: 12-24V (30VDC max.) / 8Amp

**Motor CONNECTIONS**

+/- motor connection

**POWER CONSUMPTION**

Max. 252 mA; standby 20 mA

**DIMENSIONS**

162 W x 90 H x 60 D (mm)

**GROSS WEIGHT**

0,450 kg

**PACKAGING CONTENT**

TDS13525 interface  
AUTOBUS connector set + terminating resistor  
AUTOBUS Patch cable

**STORAGE**

**Temperature**

-20°C to +65°C

**Relative humidity**

15% to 85%

**IP PROTECTION RATE**

IP20

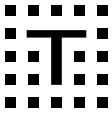
**OPERATING RANGE**

**Temperature**

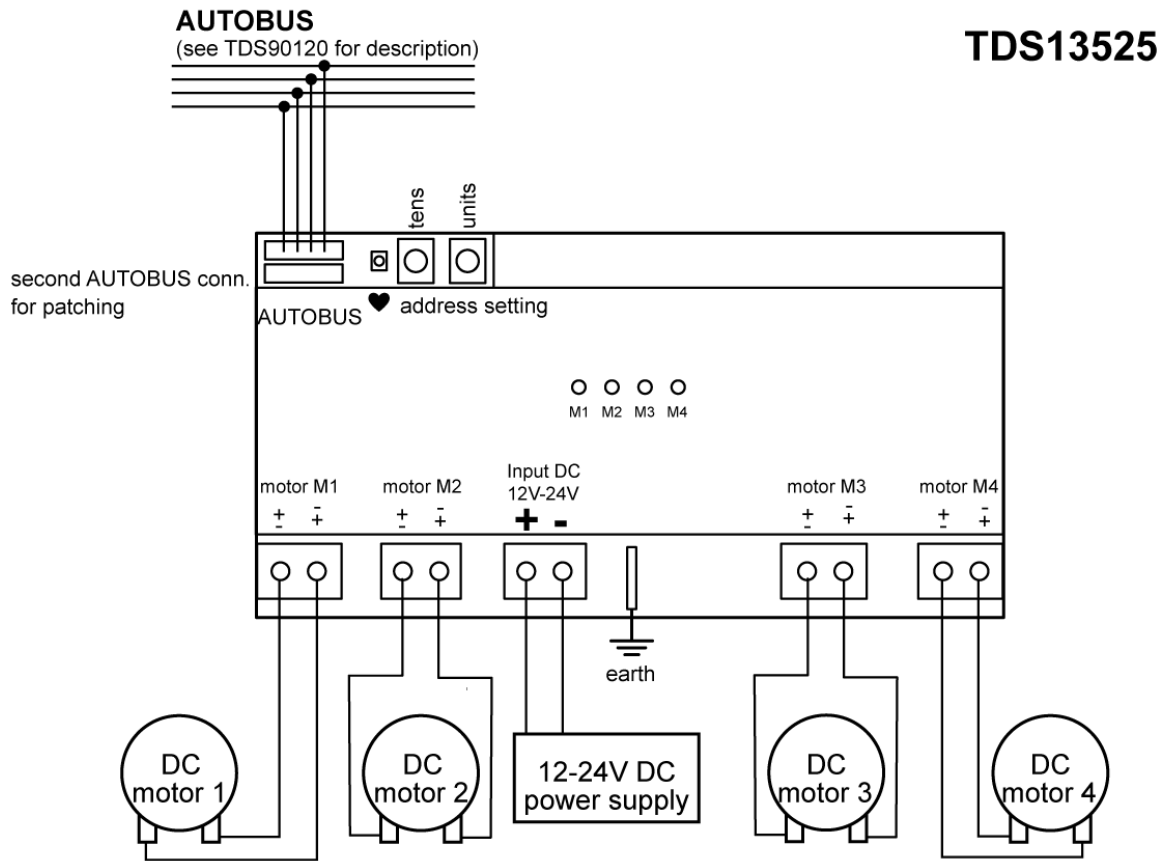
0°C to +50°C max.

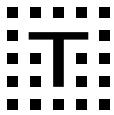
**Relative humidity**

5% to 80% at 25°C (no humidity/condense)



**SCHEMATIC DRAWING**





**TDS13526**

**Motor Interface AC (4x max. 350W)**



AC Motor interface on AUTOBUS to control AC motors to control curtains, shutters, sun blinds, etc... with or without slat control with real-time position feedback. Up to four AC motors can be connected. To reduce power consumption, the internal relays switch to a low power mode after they have changed their position. With the motor-RUN detection the interface checks if the motor has reached its end position. This enables run-time auto-correction. Integration with limit switches, sun- and wind protection can also be configured.

**APPLICATION**

Output interface to control 230 VAC motors of curtains, shutters, sun blinds, etc... (with or without slat control).

**CHARACTERISTICS**

**General**

4 motor controllers for 230 VAC motors.  
Maximum load: 4 x 350W.  
RUN detection (for motors without internal intelligence/driver circuit).  
Can work as a TDS13524 for replacements.  
Forced runtime calibration can be triggered via PROSOFT - diagnostics.  
Max. runtime = 250s.  
Switching the direction of rotation = 600ms

**Position feedback**

Real-time motor position can be visualised in % on the graphical user interfaces (iSGUI, GUI+, AURUS-OLED (V48 or higher), AURUS-TFT, ...).

**LED feedback**

- Heartbeat
- 4x motor feedback (LED ON = motor power ON)

**SETTINGS**

**Configuration**

Via PROSOFT Suite (3.5.6 or higher).  
Compatible with older PROSOFT versions if configured as TDS13524.

**AUTOBUS address**

Via two rotary switches "Tens" & "units".

**Jumper**

Terminating resistor (supplied with the central unit). To be used when the interface is at the physical end of the AUTOBUS cable.

**INSTALLATION**

**DIN-rail mounting**

6 modules wide.

**Supply voltage**

12V (supplied by the AUTOBUS - minimum 9V).

**Important installation remarks**

! Must be placed inside an electrical cabinet to avoid the risk of an electrical shock.

Follow the safety standards from the local authorities to be compliant with all regulations.

**CONNECTIONS**

**AUTOBUS**

AUTOBUS connector set + patch cable (supplied with the interface).

**Motor power supply input**

L+N 100-265 VAC / 6A max.  
Screw terminals; max. 4mm<sup>2</sup> (solid) (AWG12) or 2,5mm<sup>2</sup> (stranded) (AWG14).

! Must be protected with external 6A circuit breakers.

**Motor output (4x)**

Common + left + right  
Screw terminals; max. 4mm<sup>2</sup> (solid) (AWG12) or 2,5mm<sup>2</sup> (stranded) (AWG14).

**POWER CONSUMPTION**

**AUTOBUS**

Max. 140 mA

**DIMENSIONS**

108 W x 90 H x 60 D (mm)

**NET | GROSS WEIGHT**

0,235 kg | 0,355 kg

**PACKAGING CONTENT:**

TDS13526 interface  
AUTOBUS connector set + terminating resistor  
AUTOBUS Patch cable

**STORAGE**

**Temperature**

-20°C to +65°C

**Relative humidity**

15% to 85%

**IP PROTECTION RATE**

IP20

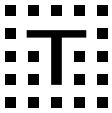
**OPERATING RANGE**

**Temperature**

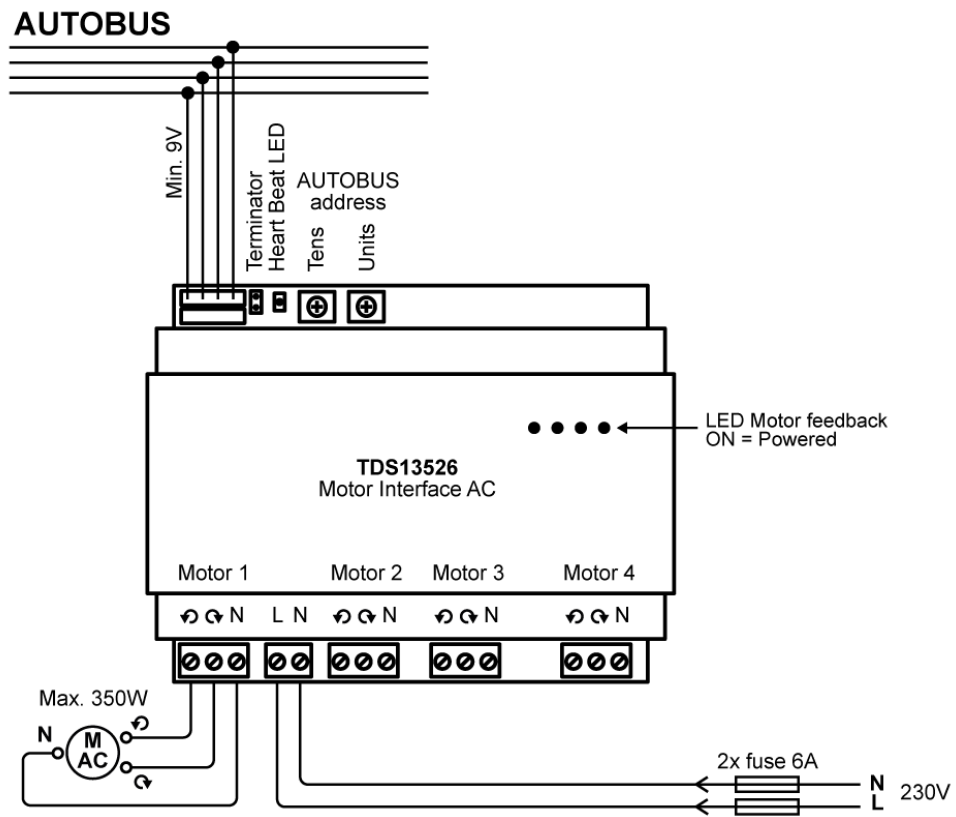
0°C to +50°C max.

**Relative humidity**

5% to 80% at 25°C (non-condensing ambient)



**SCHEMATIC DRAWING**



## TDS13522

## Dual Ceiling Sweep Fan Interface



The ceiling fan interface is a DIN-rail device made to control up to two traditional ceiling fans working on 100-250VAC. The speed control is done by switching fan specific capacitors (to be installed and connected in the housing of this TDS13522 interface). 2 to 5 speeds (off + 4 speeds) are supported. The fan specific capacitors are to be provided from the ceiling fan supplier.

### APPLICATION

Ceiling fan integration

### CHARACTERISTICS

#### General

Up to 2 ceiling fans can be connected.  
Maximum fan load rating: 2x 1,5A.  
Supported speeds:

- 2 speed: OFF | MAX
- 3 speed: OFF | LOW | MAX
- 4 speed: OFF | LOW | MED | MAX
- 5 speed: OFF | LOW | MED | HIGH | MAX

#### Capacitors

The capacitors for the ceiling fan will be supplied by the ceiling fan manufacturer (three wire type: Common, Low and Med).  
Max. dimensions of each of the two capacitors:  
42 D x 21 W x 39 H (mm)

#### LED feedback

Fan speed indication on the interface:

- off: OFF
- 1 blink: LOW
- 2 blinks: MED
- 3 blinks: HIGH
- constant on: MAX

#### Graphical feedback

The ceiling fan speed can be graphical visualised on the TELETASK GUI's and interfaces with a display.

Supported versions:

GUI+: PROSOFT V3.4 and up  
iSGUI: V2.0.10 and up  
AURUS-OLED: V.028 and up  
AURUS-TFT: V.054 and up

### SETTINGS

#### Configuration

Via PROSOFT Suite (V3.4 or higher).

#### AUTOBUS address

Via two rotary switches "Tens" & "units".

#### Jumpers

Terminating resistor (supplied with the central unit). To be used when the interface is at the physical end of the AUTOBUS cable.

### INSTALLATION

#### DIN-rail mounting

7,5 modules.

#### Capacitors

The capacitors (one for each ceiling fan) must be placed under the cover of the interface and connected to the proper terminals.

#### Supply voltage

Minimum 9V (supplied by the AUTOBUS).

#### Important installation remarks

- ! Must be placed inside an electrical cabinet to avoid the risk of an electrical shock.
- ! Follow the safety standards from the local authorities to be compliant with all regulations.

### CONNECTIONS

#### AUTOBUS

AUTOBUS connector set + patch cable supplied with this unit.

#### Inputs

L+N 100-250VAC. Screw terminals; max. 4mm<sup>2</sup> (solid) or 2,5mm<sup>2</sup> (stranded).  
Must be protected with external 2A fuses.

#### Outputs

Screw terminals; max. 4mm<sup>2</sup> (solid) or 2,5mm<sup>2</sup> (stranded).

#### Capacitors

Spring connection terminal 3x 1,5mm<sup>2</sup> (solid or stranded). To be placed inside the interface.

### POWER CONSUMPTION

#### AUTOBUS

Max. 235 mA

### DIMENSIONS

135 W x 90 H x 60 D (mm)

### NET | GROSS WEIGHT

0,340 kg | 0,440 kg

### PACKAGING CONTENT

TDS13522 interface  
AUTOBUS connector set  
AUTOBUS Patch cable

### ENVIRONMENTAL CONDITIONS

#### Storage (with no condensation or icing)

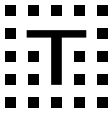
Temperature: -20°C to +65°C max.  
Relative humidity: 5% to 85% max.

#### Operation (with no condensation or icing)

Temperature: 5°C to +50°C max.  
Relative humidity: 5% to 80% max.

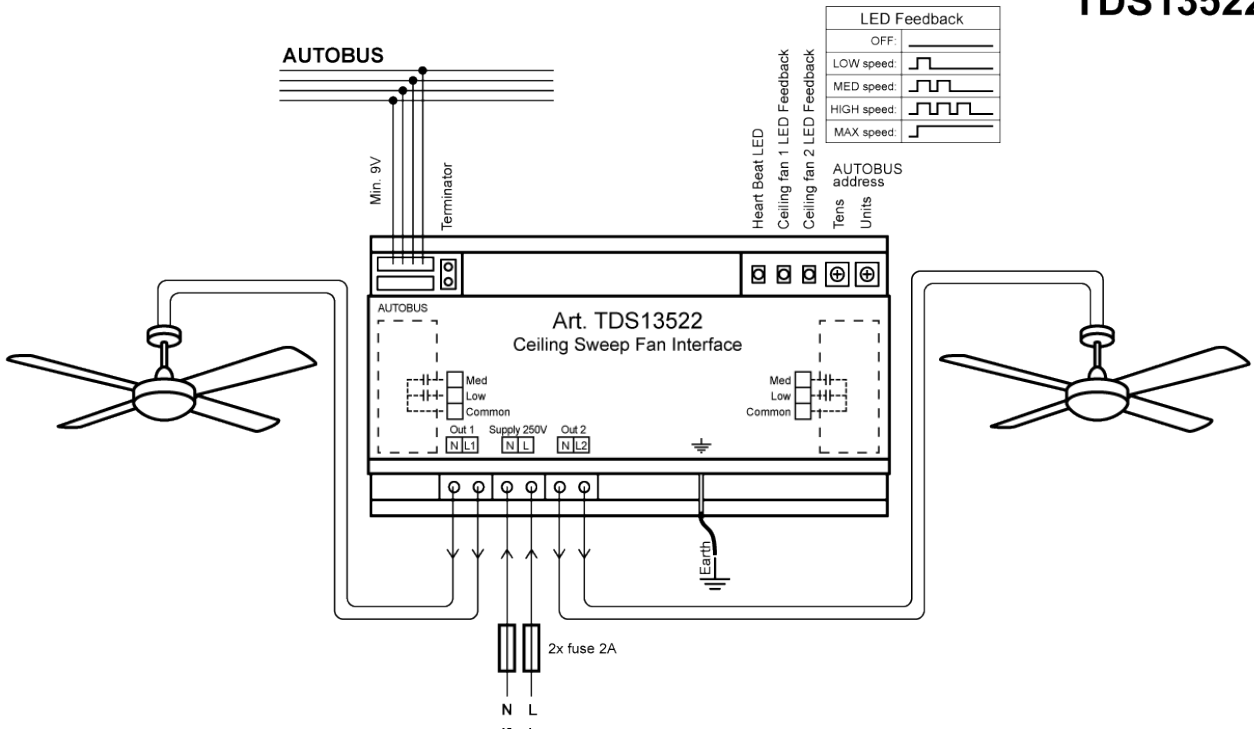
### IP PROTECTION RATE

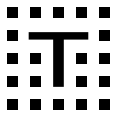
IP20



**SCHEMATIC DRAWING**

**TDS13522**





**TDS13530**

**Fan Coil Unit interface**

The 'Fan Coil Unit' (FCU) interface is a DIN-rail AUTOBUS interface to manage heating and/or cooling. This interface is provided with two output contacts to control the valves in the fan coil unit. It also has three outputs for fan speed control (low/medium/high).

**APPLICATION**

The integration of fan coil unit based heating/cooling systems with other home/building automation features. It generates the highest comfort and energy management level while simplifying the cabling.



**CHARACTERISTICS**

**General**

1 FCU interface per FCU needed.

**Supported speeds**

- 3 speeds +OFF (low, med, high)
- 2 speeds +OFF (low, high)
- 1 speed +OFF (high)

**Supported types/modes:**

- 2 pipe system heat
- 2 pipe system cool
- 2 pipe system heat/cool
- 4 pipe system heat+cool

**LED feedback**

Fan speed LED indication:

- LED off: fan off
- 1 blink: low speed
- 2 blinks: medium speed
- 3 blinks: high speed

Valve LED indication:

- LED off: valve(s) closed
- 1 blink: heat/cool valve open
- 2 blinks: cool valve open

**SETTINGS**

**Configuration**

Via PROSOFT Suite (3.4.20.0 or higher).

**AUTOBUS address**

Via two rotary switches "Tens" & "units".

**Jumpers**

Terminating resistor (supplied with the central unit). To be used when the interface is at the physical end of the AUTOBUS cable.

**INSTALLATION**

**DIN-rail mounting**

4 modules wide.

**Supply voltage**

12V supplied by the AUTOBUS (minimum 9V).

**Important installation remarks**

- ! Must be placed inside an electrical cabinet to avoid the risk of an electrical shock.
- ! Follow the safety standards from the local authorities to be compliant with all regulations.

**CONNECTIONS**

**AUTOBUS**

AUTOBUS connector set + patch cable (supplied with this unit).

**Fan**

Power supply: L+N 100-265 VAC max.

Screw terminals; max. 4mm<sup>2</sup> (solid) (AWG12) or 2,5mm<sup>2</sup> (stranded) (AWG14).

EC motors (brushless DC motors) are supported when combined with externally connected resistors (not supplied with the interface). See schematic drawing.

- Low speed: 220k Ohm = 3,13V
- Medium speed: 100k Ohm = 5,95V
- High speed: 47k Ohm = 9,9V

- ! Must be protected with external 10A fuses.

**Valves**

Power supply: 24V AC/DC; 100-265 VAC max.

Screw terminals; max. 4mm<sup>2</sup> (solid) (AWG12) or 2,5mm<sup>2</sup> (stranded) (AWG14).

- ! Must be protected with external 10A fuses.

**POWER CONSUMPTION**

**AUTOBUS**

Max. 75 mA

**DIMENSIONS**

72 W x 90 H x 60 D (mm)

**NET | GROSS WEIGHT**

0,165 kg | 0,285 kg

**PACKAGING CONTENT**

TDS13530 interface  
AUTOBUS connector set + terminating resistor  
AUTOBUS Patch cable

**ENVIRONMENTAL CONDITIONS**

**Storage (with no condensation or icing)**

Temperature: -20°C to +65°C max.  
Relative humidity: 5% to 85% max.

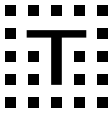
**Operation (with no condensation or icing)**

Temperature: 5°C to +50°C max.  
Relative humidity: 5% to 80% max.

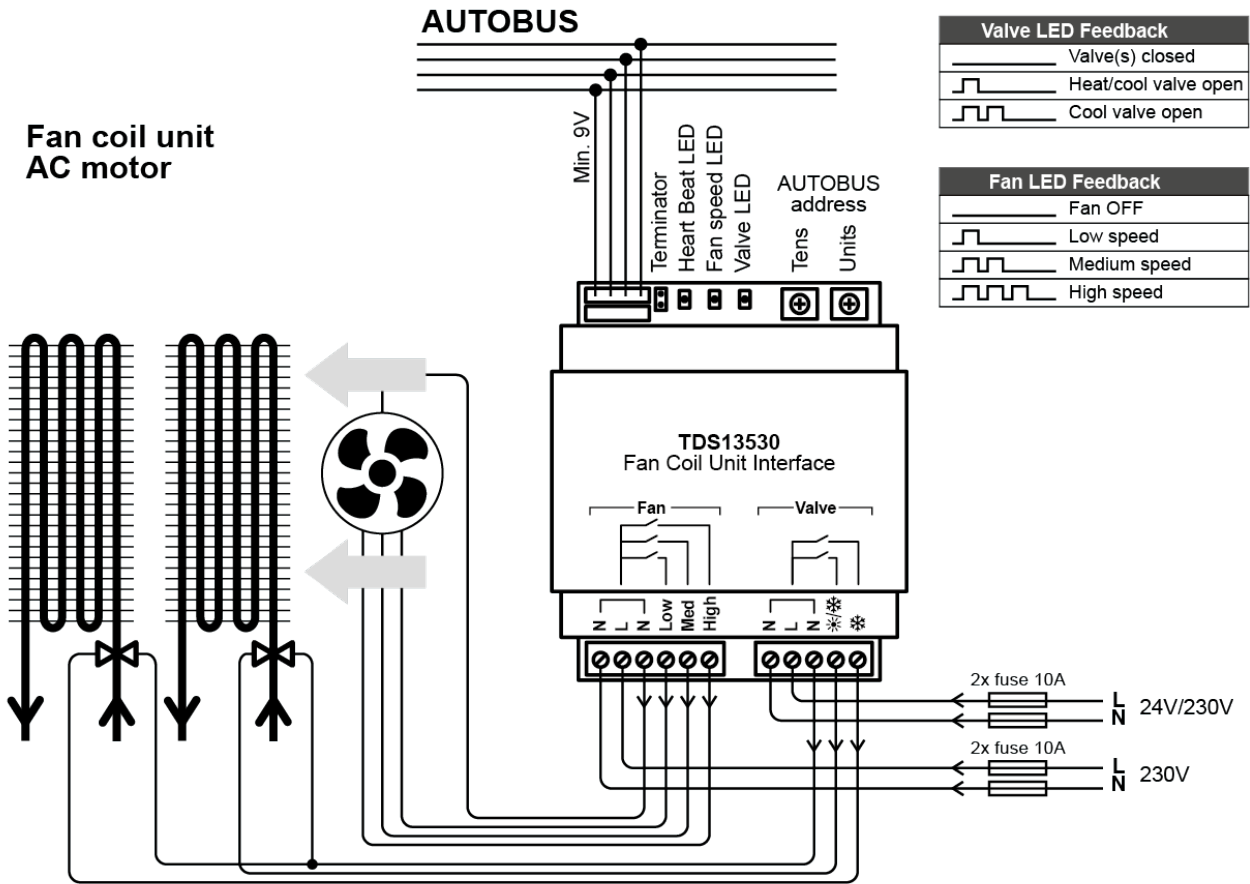
**IP PROTECTION RATE**

IP20



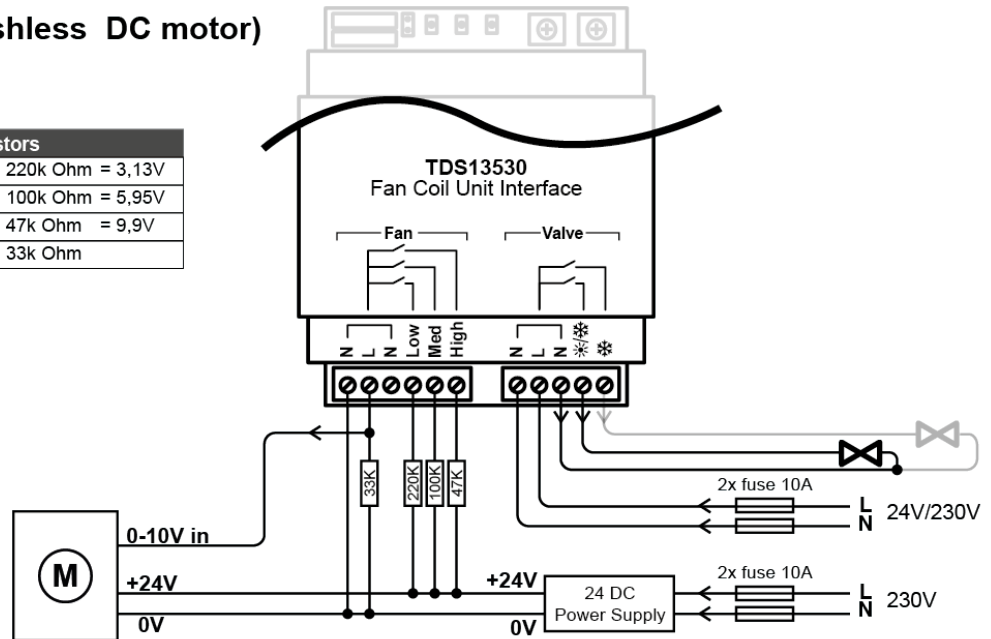


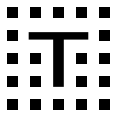
**SCHEMATIC DRAWING**



**EC motor (brushless DC motor)**

Resistors	
Low speed	$R_{Lo} = 220k \text{ Ohm} = 3,13V$
Medium speed	$R_{Me} = 100k \text{ Ohm} = 5,95V$
High speed	$R_{Hi} = 47k \text{ Ohm} = 9,9V$
	$R_1 = 33k \text{ Ohm}$





**TDS13609**

**Dimmer interface 8 x 0-10V output**

AUTOBUS dimmer output interface with 8 analog outputs 0-10V.  
To control maximum 8 power dimmers with galvanically isolated 0-10V inputs.

**APPLICATION**

Dimmer output interface to control power dimmers for lighting control.  
Can also be used for other 0-10V control. E.g. heating/cooling analog control.

**CHARACTERISTICS**

8 analog outputs 0-10V.  
Max. cable length between dimmer 0-10V control output and the dimmer is 25m.  
Load min. 50Kohm.  
Output impedance (0-10V): 500Ω for each output

**SETTINGS**

**Configuration**  
Via PROSOFT Suite (3.5 or higher). Compatible with older PROSOFT versions if configured as TDS13608.

**AUTOBUS address**  
Via two rotary switches “Tens” & “units”.

**Jumpers**  
Terminating resistor (supplied with the interface). To be used when the interface is at the physical end of the AUTOBUS cable.

**INSTALLATION**

**DIN-rail mounting**  
3 modules wide

**Supply voltage**  
12V supplied by the AUTOBUS

! A minimum of 10,5V is required in order to ensure a normal operation.

**CONNECTIONS**

**AUTOBUS**  
AUTOBUS connector set + patch cable (supplied with the interface).

**Outputs**  
Screw terminals; max. 4mm<sup>2</sup> (solid) (AWG 12) or 2,5mm<sup>2</sup> (stranded) (AWG 14).

**POWER CONSUMPTION**

**AUTOBUS**  
Max. 22 mA

**DIMENSIONS**

54 W x 90 H x 60 D (mm)

**NET | GROSS WEIGHT**

0,090 kg | 0,210 kg

**PACKAGING CONTENT**

TDS13609 interface  
AUTOBUS connector set + terminating resistor  
AUTOBUS Patch cable

**STORAGE**

**Temperature**  
-20°C to +65°C

**Relative humidity**  
15% to 85%

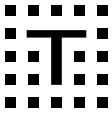
**IP PROTECTION RATE**

IP20

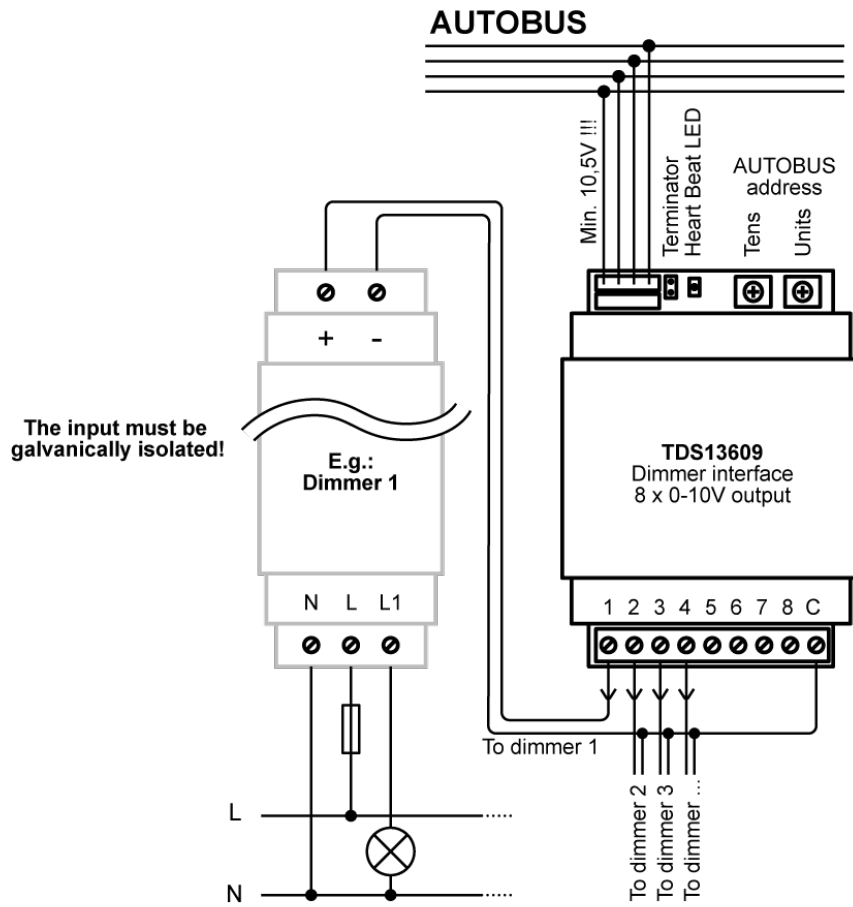
**OPERATING RANGE**

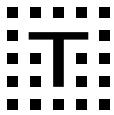
**Temperature**  
0°C to +50°C max.

**Relative humidity**  
5% to 80% at 25°C (no humidity/condense)



**SCHEMATIC DRAWING**





**TDS13611**

**Dimmer Interface 8x1-10V (+ 8x10A contact)**



The TDS13611 dimmer interface has 8 analog 1-10V outputs to control dimmable lights. The interface also provides the necessary 8 output contacts to switch the main power supply to the 8 dimmed light units.

Alternatively, you can set the analog outputs as 0-10V outputs. In this case, the contact outputs can be used as standard output contacts, totally independent of the 0-10V outputs (this can be combined for every 4 channels).

To supply the necessary galvanic isolation between the AUTOBUS and the outputs, the use of a separated 12V power supply input is available (ref. TDS10132 or TDS10134).

**APPLICATION**

Analog output interface to control dimmable lights/gears with 1-10V input (or alternative use as described above).

**CHARACTERISTICS**

**Relays**

$I_N = 10A/250VAC \cos \varphi 0,7$   
 $I_{HI} = 80Amp (20ms)$

**Analog**

The analog outputs are to be galvanic isolated from the AUTOBUS (external 12V power supply)

**1-10V**

Max. 40mA  
Max. 25m

**0-10V**

Load min. 10K  $\Omega$   
Output impedance: 1K  $\Omega$   
Max. 25m

**SETTINGS**

**Configuration**

Via PROSOFT Suite (V3.6.22 or higher).

**AUTOBUS address**

Via rotary switches 'Tens' + 'Units' (defined in PROSOFT)

**Jumpers**

Terminating resistor (supplied with the central unit). To be used when the interface is at the physical end of the AUTOBUS cable.

**INSTALLATION**

**DIN-rail mounting**

9 modules wide

**⚠ Important installation remarks**

Due to the risk of electrical shocks (230V), this product must be installed by a certified electrical contractor.

Must be placed inside a locked electrical cabinet to avoid the risk of an electrical shock.

Follow the safety standards from the local authorities to be compliant with all regulations.

**CONNECTION**

**AUTOBUS**

AUTOBUS connector set + patch cable supplied with this unit.

**External power supply input**

Screw terminals; max. 4mm<sup>2</sup> (solid) or 2,5mm<sup>2</sup> (stranded)

**0-10V / 1-10V outputs**

Screw terminals; max. 4mm<sup>2</sup> (solid) or 2,5mm<sup>2</sup> (stranded)

**Relay outputs**

Screw terminals; max. 4mm<sup>2</sup> (solid) or 2,5mm<sup>2</sup> (stranded)

**POWER CONSUMPTION**

**AUTOBUS**

150 mA maximum (all relays on)

**External power supply**

12V DC 350 mA maximum

**DIMENSIONS**

162 W x 90 H x 60 D (mm)

**NET | PACKED WEIGHT**

0,375 kg | 0,495 kg

**PACKAGING CONTENT**

TDS13611 interface + datasheet  
AUTOBUS connector set + terminating resistor  
AUTOBUS Patch cable

**ENVIRONMENTAL CONDITIONS**

**Storage (with no condensation or icing)**

Temperature: -20°C to +65°C max.  
Relative humidity: 5% to 85% max.

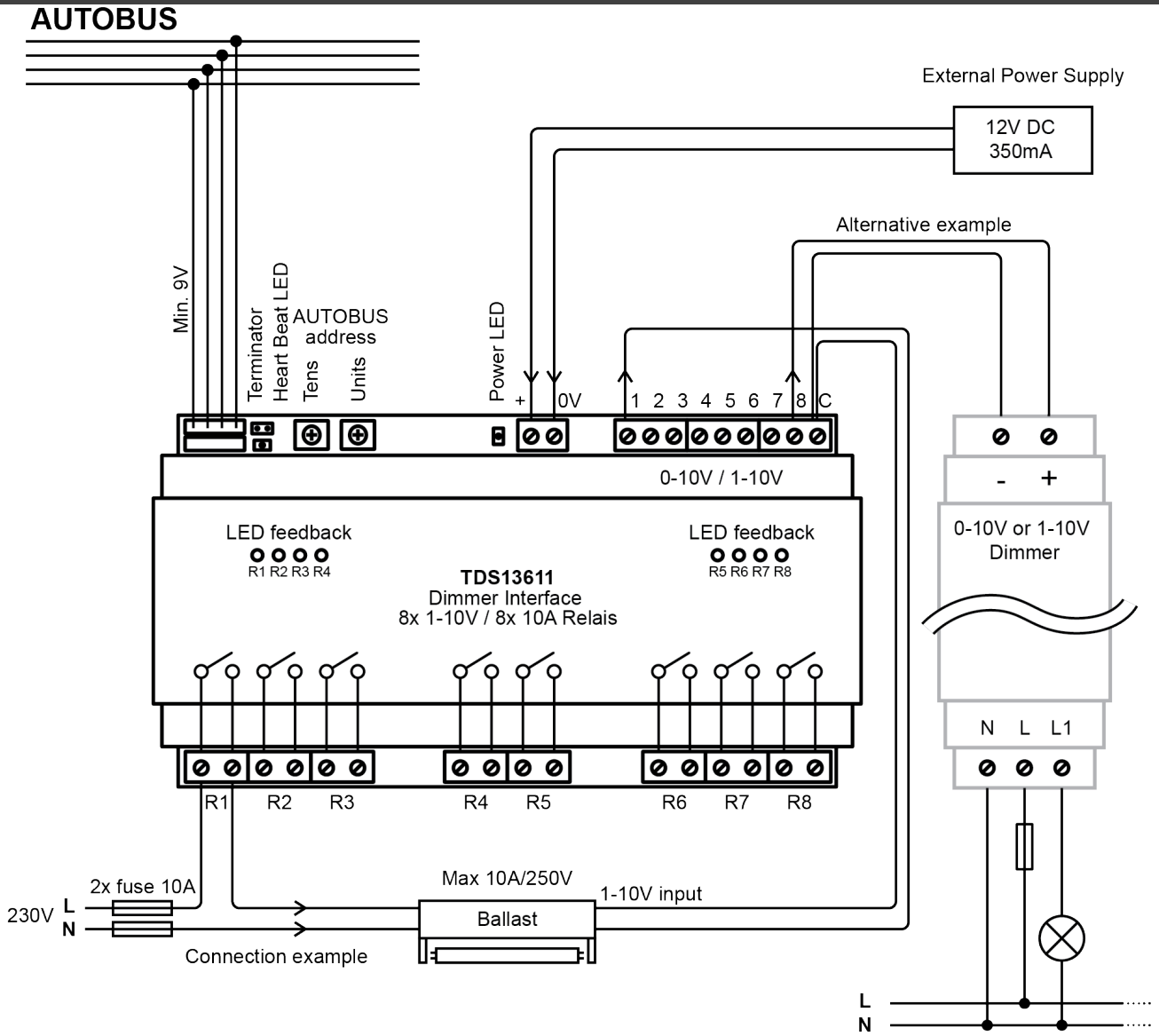
**Operation (with no condensation or icing)**

Temperature: 0°C to +50°C max.  
Relative humidity: 5% to 80% max.

**IP PROTECTION RATE**

IP20

**SCHEMATIC DRAWING**





### TDS13621

### DALI - DSI - DMX interface

TDS13621 is an AUTOBUS interface for DALI (V1.0 / V2.0) / DSI / DMX. It can be configured to integrate up to 64 DALI control gears (ballasts) or 1 DSI output or 64 DMX compliant channels in combination with the TELETASK domotics system.

The interface is suited for controlling monochrome, duotone and multicolour lighting units with DALI, DSI or DMX control gear. It supports ramp speeds up to 1 hour.

The interface has an external override input which can be used in case of emergency/evacuation.

You can connect up to 7 interfaces to one Central Unit (up to 500 dim circuits).

#### APPLICATION

Output interface to control 64 DALI (V1.0 / V2.0) or 1 DSI or 64 DMX compliant channels.

#### CHARACTERISTICS

##### **DALI**

DALI V2.0 devices 2014 (IEC62386).

Up to 64 DALI (Version 1.0 and 2.0) control gears/addresses.

Supported types: single colour-, RGB- and Tuneable white control gears up to V2.0 / T8.

Advantage of DALI: individual (addressable) and grouped control, including feed-back to the TDS diagnostics when a ballast or lamp is defect.

The DALI control gear should support the DIRECT ARC POWER with level 255 (Stop fading), otherwise continuous dimming will not work.

##### Tested on:

Osram: PL-LIN-Z4 TW, OTi DALI 35 TW

Tridonic: LCAI 38W 125mA TW Ip, STARK-LLE-24-280-700-830-860-PRE

Helvar: LC35/2-DA-IC, L-ic-285-827-865-011A

Lumitech: ZUMI35131PI01042

##### **DSI**

1 DSI output / up to 100 gears.

Advantage of DSI: In case of failure or replacement of DSI electronic gear, the replaced unit does not need to be re-addressed/configured.

##### **DMX**

Up to 64 DMX addresses.

Advantage of DMX: very fast reaction time.

##### **Galvanic isolation**

The DALI / DSI / DMX bus is 1500V galvanic isolated from the AUTOBUS.

##### **Built-in power supply**

Build-in DALI/DSI power supply (power is taken from the AUTOBUS for both galvanic sides).

Remark: No additional DALI/DSI-bus power supply is allowed.

Current is limited to max. 128mA (sufficient for 64 ballasts which draws 2mA or less)

##### **External override contact**

Must be a voltage free contact. When the external contact is closed, all connected DALI/DSI/DMX devices will go to 100% (Feedback LED ON continuous). If this contact is used, it is advised to implement this feature into the emergency evacuation procedures of the concerned area/building.

##### **DALI feedback features**

The concerned touch panel LED's will blink on lamp/gear defect.

Full status information of every individual lamp/gear address is available in PROSOFT-Diagnostics.

#### SETTINGS

##### **AUTOBUS address**

Via two rotary switches 'Tens' and 'Units'.

##### **Configuration**

Via PROSOFT Suite 3.6.22 or higher (to be set as DALI- or DSI- or DMX-mode).

##### **Jumpers**

Terminating resistor (supplied with the central unit). To be used when the interface is at the physical end of the AUTOBUS cable.

##### **DALI address**

The ballast must be addressed before connecting. Groups are simple to configure via PROSOFT. Two methods (A or B) for gear address configuration are possible:

##### A: Use DALISOFT together with the TDS20620V2 DALI-address configuration tool:

1. Disconnect the TDS13621 from the DALI-bus.
2. Connect the TDS20620V2 (see datasheet TDS20620V2).
3. Use PROSOFT/DALISOFT to assign the DALI-addresses.

##### B: Use PROSOFT/DALISOFT together with this interface, starting from PROSOFT Suite 3.6.22.x:

- Follow the instruction from the Technical handbook (help menu in PROSOFT). Or check latest version online.

<https://professional.teletask.be>

##### **DSI address**

Not applicable

##### **DMX address**

0 to 255 (max. 64 addresses can be defined).

Follow the supplier instructions of the used DMX devices for address configuration.

#### INSTALLATION

##### **DIN-rail mounting**

4 modules wide

#### CONNECTION

##### **AUTOBUS**

AUTOBUS connector set + patch cable supplied with this unit

##### **DALI / DSI / DMX**

Screw terminals; Solid wires: max. 4mm<sup>2</sup> (AWG 12)

Stranded wires: max. 2,5mm<sup>2</sup> (AWG 14).

##### **DMX:**

Always use shielded cable with two twisted pairs (1 pair for DMX data and 1 wire for 0V signal).

Recommended max. cable length: 400m (0.25mm<sup>2</sup>).

### DALI/DSI wire sections:

0.5mm<sup>2</sup> for total cable length 0-100m

0.75mm<sup>2</sup> for total cable length 100m-150m

1.5mm<sup>2</sup> for total cable length 150m-300m

### **External override**

Override input: voltage free contact

0.34mm<sup>2</sup> for cable length max. 100m

### **POWER CONSUMPTION**

#### **AUTOBUS Load**

Min. 175mA (DMX or 1 DSI / DALI ballast connected)

+ 2.5mA for every DSI / DALI ballast connected

DALI = Max. 335mA

DSI = Max. 425mA

DMX = Max. 175mA

### **DIMENSIONS**

72 W x 90 H x 60 D (mm)

### **WEIGHT NET | PACKED**

0.115kg | 0.210kg

### **ERROR CHECK IN PROSOFT DIAGNOSTICS**

#### **DALI errors**

- Lamp defect
- Gear defect
- Power failure (230V missing)
- Gear not found

#### **Interface errors**

- AUTOBUS voltage
- Interface malfunction (+ additional information)

### **PACKAGING CONTENT**

TDS13621 interface

AUTOBUS connector set + terminating resistor

AUTOBUS Patch cable

### **ENVIRONMENTAL CONDITIONS**

#### **Storage (with no condensation or icing)**

Temperature: -20°C to +65°C max.

Relative humidity: 5% to 85% max.

#### **Operation (with no condensation or icing)**

Temperature: 0°C to +50°C max.

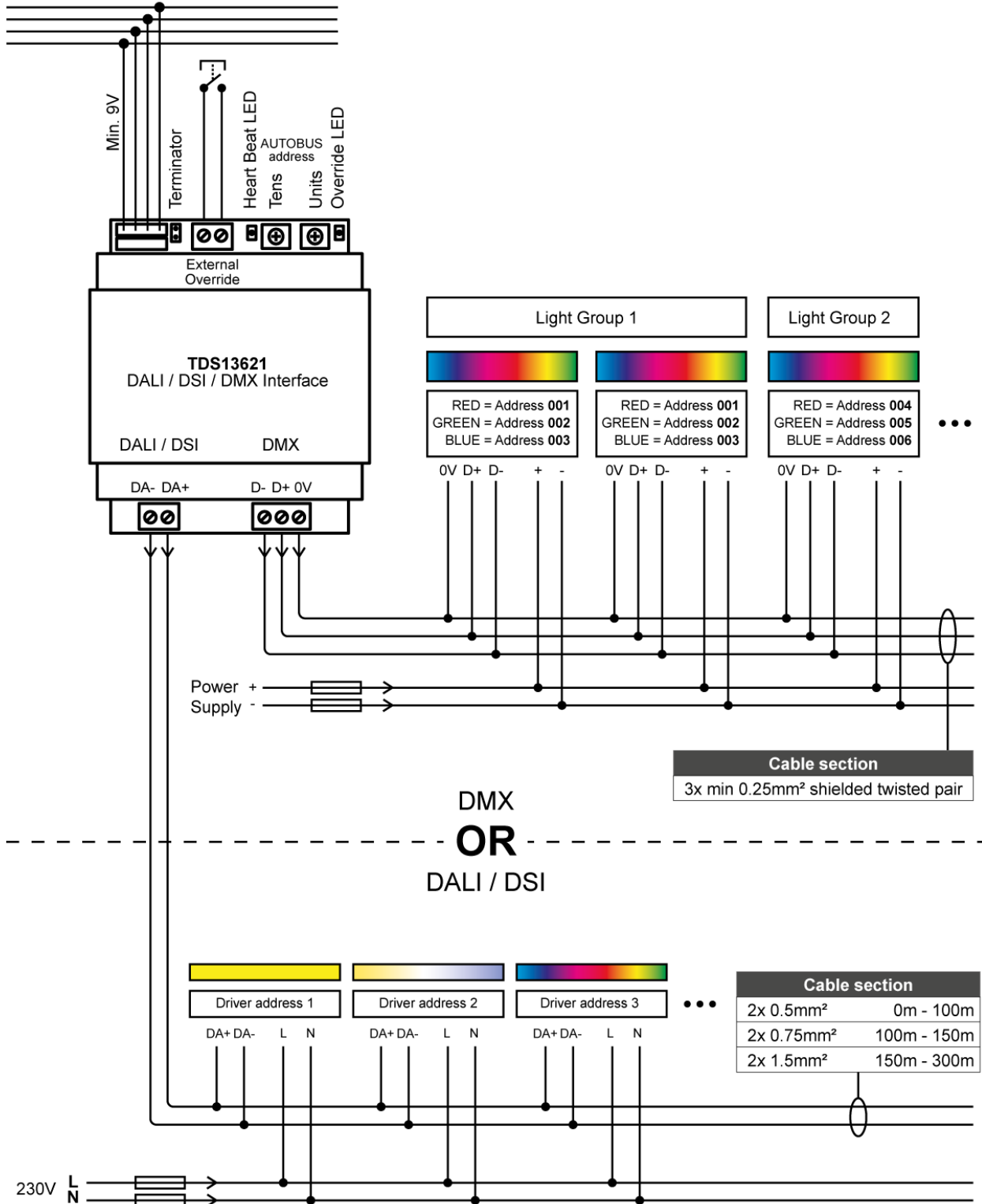
Relative humidity: 5% to 80% max.

### **IP PROTECTION RATE**

IP20

**SCHEMATIC DRAWING**

**AUTOBUS**







### TDS13632

### PWM LED Dimmer 2x6,25A (2x150W @ 24V)

The TDS13632 is a two channel PWM dimmer on AUTOBUS to control DC dimmable LED light systems (e.g. LED strips) via the high frequency PWM. The interface can dim any monochrome or colour LED system, from cold to warm light including RGB and RGBW for standard and high end residential and professional applications.

The TELETASK PWM dimmer has the advantage over other dimmers that it offers smooth dimming from 1% to 100%. Due to the TELETASK high frequency TPWM control, it results in a stable luminosity control over the full dimming range.

The TELETASK PWM dimmer unit is also available in a for-channel version ref. TDS13634.

#### APPLICATION

Two channel PWM dimmer for monochrome/colour LED light strips

#### CHARACTERISTICS

##### Protection

Internal 15A short circuit fuse and internal thermal overload protection. The AUTOBUS is internal galvanic isolated from the output circuits.

Spare fuses: order ref. TDS90169 – pack of 10 ultra mini fuses 15A

##### Configuration

The configuration via PROSOFT includes different ramp speed settings on both fade-in and fade-out. Individual ramp speed can be set on every individual AUTOBUS control button.

Several more settings are possible: Last dim level memory, go to specific level, moods, timers, etc...

#### SETTINGS

##### Configuration

Via PROSOFT Suite (3.6.14 or higher).

##### AUTOBUS address

Via two rotary switches "Tens" & "units".

##### Jumper

Terminating resistor (supplied with the central unit). To be used when the interface is at the physical end of the AUTOBUS cable.

#### INSTALLATION

##### DIN-rail mounting

3 modules wide.

#### CONNECTIONS

##### AUTOBUS

AUTOBUS connector set + patch cable (supplied with the interface). 12V (supplied by the AUTOBUS - minimum 9V). Can be checked in PROSOFT diagnostics.

##### Power supply input (LED)

Only suitable for constant voltage LED drivers.

Power supply (+, 0V): 6-30 V DC max. Depending of the LED system.

Screw terminals; max. 4mm<sup>2</sup> (solid) (AWG 12) or 2,5mm<sup>2</sup> (stranded) (AWG 14).

##### LED outputs

2 x 6,25A (=2x150W @ 24VDC) (12,5A total).

Screw terminals; max. 4mm<sup>2</sup> (solid) (AWG 12) or 2,5mm<sup>2</sup> (stranded) (AWG 14).

#### POWER CONSUMPTION

##### AUTOBUS

30mA Max. (20mA Standby)

##### DIMENSIONS

54 W x 90 H x 60 D (mm)

##### NET | GROSS WEIGHT

0,090 kg | 0,210 kg

#### PACKAGING CONTENT

TDS13632 interface  
AUTOBUS connector set + terminating resistor  
AUTOBUS Patch cable

#### STORAGE

##### Temperature

-20°C to +65°C

##### Relative humidity

15% to 85%

#### IP PROTECTION RATE

IP20

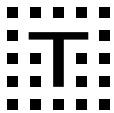
#### OPERATING RANGE

##### Temperature

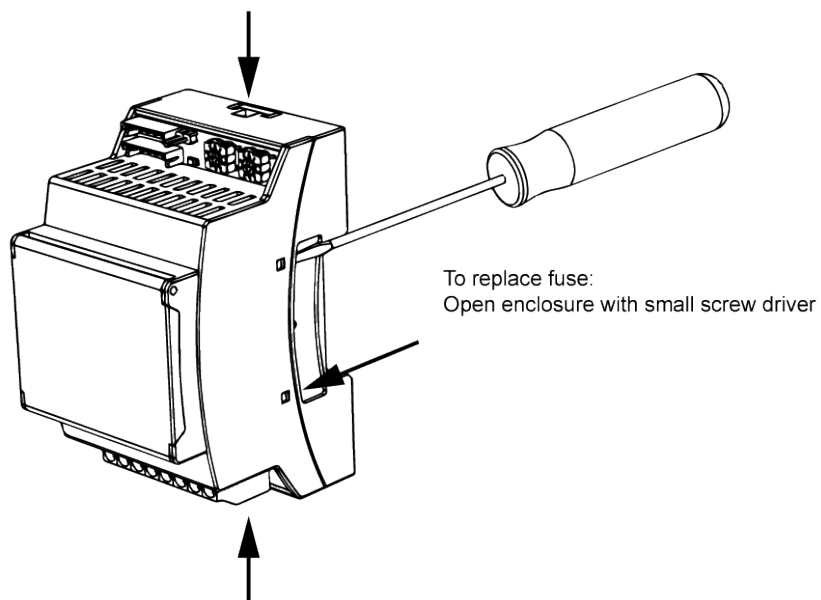
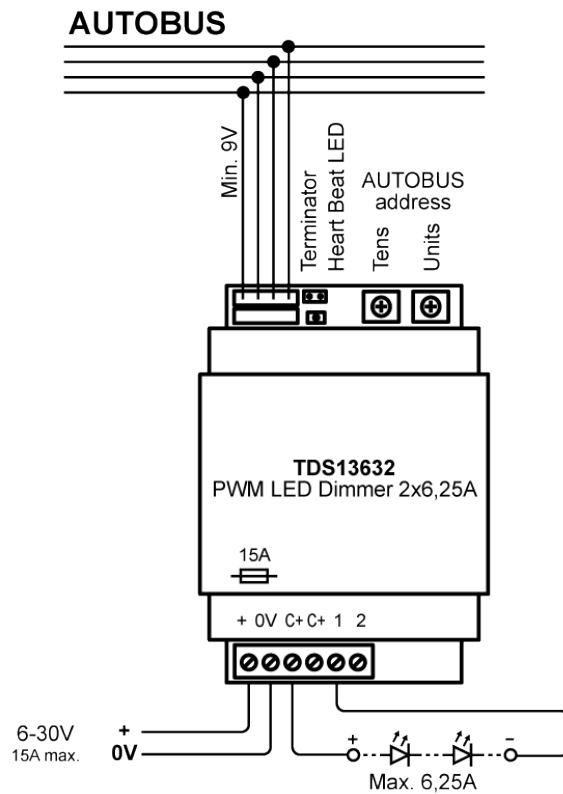
0°C to +50°C max.

##### Relative humidity

5% to 85% at 25°C (non-condensing ambient)



**SCHEMATIC DRAWING**





### TDS13634

### PWM LED Dimmer 4x3,1A (4x75W @ 24V)

The TDS13634 is a four channel PWM dimmer on AUTOBUS to control DC dimmable LED light systems (e.g. LED strips) via the high frequency PWM. The interface can dim any monochrome or colour LED system, from cold to warm light including RGB and RGBW for standard and high end residential and professional applications.

The TELETASK PWM dimmer has the advantage over other dimmers that it offers smooth dimming from 1% to 100%. Due to the TELETASK high frequency TPWM control, it results in a stable luminosity control over the full dimming range.

The TELETASK PWM dimmer unit is also available in a two-channel high power version ref. TDS13632.

#### APPLICATION

Four channel PWM dimmer for monochrome/colour LED light strips

#### CHARACTERISTICS

##### Protection

Internal 15A short circuit fuse and internal thermal overload protection. The AUTOBUS is internal galvanic isolated from the output circuits.

Spare fuses: order ref. TDS90169 – pack of 10 ultra mini fuses 15A

##### Configuration

The configuration via PROSOFT includes different ramp speed settings on both fade-in and fade-out. Individual ramp speed can be set on every individual AUTOBUS control button.

Several more settings are possible: last dim level memory, go to specific level, moods, timers, etc...

#### SETTINGS

##### Configuration

Via PROSOFT Suite (3.6.14 or higher).

##### AUTOBUS address

Via two rotary switches "Tens" & "units".

##### Jumper

Terminating resistor (supplied with the central unit). To be used when the interface is at the physical end of the AUTOBUS cable.

#### INSTALLATION

##### DIN-rail mounting

3 modules wide.

#### CONNECTIONS

##### AUTOBUS

AUTOBUS connector set + patch cable (supplied with the interface). 12V (supplied by the AUTOBUS - minimum 9V). Can be checked in PROSOFT diagnostics.

##### Power supply input (LED)

Only suitable for constant voltage LED drivers.

Power supply (+, 0V): 6-30 V DC max. Depending of the LED system.

Screw terminals; max. 4mm<sup>2</sup> (solid) (AWG 12) or 2,5mm<sup>2</sup> (stranded) (AWG 14).

##### LED outputs

4 x 3,1A (=4x75W @ 24VDC) (12,5A total).

Screw terminals: max. 4mm<sup>2</sup> (solid) (AWG 12) or 2,5mm<sup>2</sup> (stranded) (AWG 14).

#### POWER CONSUMPTION

##### AUTOBUS

40mA Max. (20mA Standby)

##### DIMENSIONS

54 W x 90 H x 60 D (mm)

##### NET | GROSS WEIGHT

0,090 kg | 0,210 kg

#### PACKAGING CONTENT

TDS13634 interface  
AUTOBUS connector set + terminating resistor  
AUTOBUS Patch cable

#### STORAGE

##### Temperature

-20°C to +65°C

##### Relative humidity

15% to 85%

#### IP PROTECTION RATE

IP20

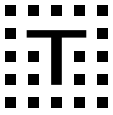
#### OPERATING RANGE

##### Temperature

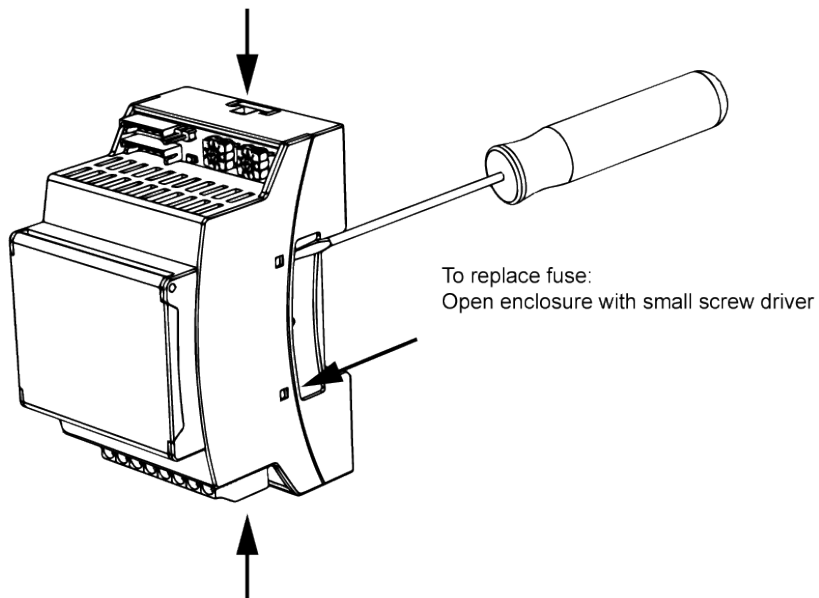
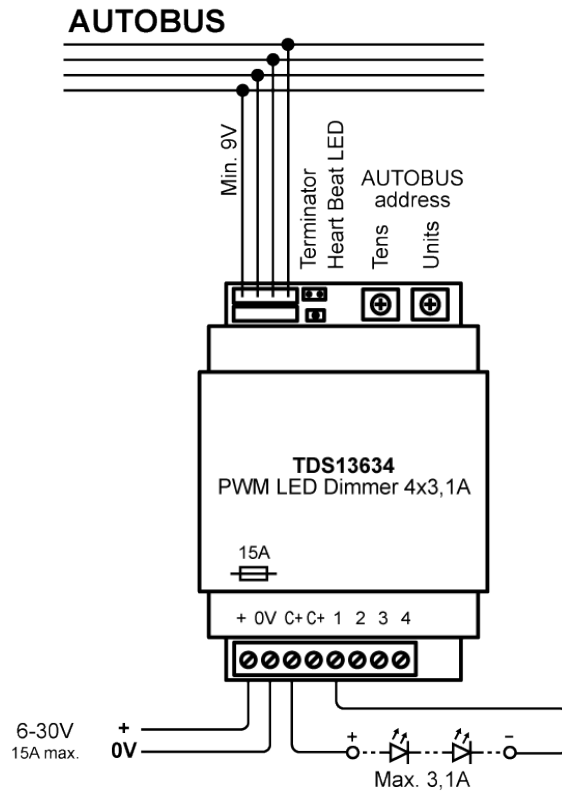
0°C to +50°C max.

##### Relative humidity

5% to 85% at 25°C (non-condensing ambient)



**SCHEMATIC DRAWING**



### TDS13642

### Universal FET Power Dimmer 700VA (2x350VA)



The TDS13642 is a two channel AUTOBUS FET power dimmer for 230V/50Hz dimming of traditional-, LED- and other dimmable lights. The dimmer can also control lights and LED's which are connected via traditional and electronic transformers. Therefore, the dimmer can be configured per channel to work in Leading or Trailing edge mode.

The TELETASK FET dimmer unit is also available in a four-channel version with order ref TDS13644.

#### APPLICATION

Two channel 350VA universal power FET dimmer for dimmable 230V/50Hz lights.

#### CHARACTERISTICS

##### Customization

Full software (= local and remote) configuration via PROSOFT includes settings for: mode (Leading or Trailing), dim curve and ramp speed setting (separated fade-in and fade-out).

The ramp speed setting can be configured on each individual (AUTOBUS) control button.

Several more settings are available by default via PROSOFT: Minimum dim level, last dim level memory, go to level x, moods, timers, timed moods, group dimming via dimmable mood, etc. ...

##### Integrated PLC signal filter

The TDS13642 has an integrated filter to suppress interference from PLC/TF signals.

#### SETTINGS

##### Configuration

Via PROSOFT Suite (3.6.19.15 or higher).

##### AUTOBUS address

Via two rotary switches "Tens" & "Units".

##### Jumper

Terminating resistor (supplied with the central unit). To be used when the interface is at the physical end of the AUTOBUS cable.

#### INSTALLATION

##### DIN-rail mounting


6 modules wide.

##### Protection

Built-in: 2 x replaceable miniature fuse 2A for short circuit protection and 2 x electro-mechanical thermal overload protectors. The AUTOBUS is internal galvanic isolated from the output circuits.

Spare fuses: order ref. TDS90162 – pack of 10 ultra mini fuses 2A.

##### Important installation remarks

 Due to the risk of electrical shocks (230V), this product must be installed by a certified electrical contractor.

- ! Cut off the power supply (230V) before replacing the fuses
- ! Must be placed inside a protected electrical cabinet to avoid the risk of an electrical shock.
- ! Follow the safety standards from the local authorities to be compliant with all regulations.

! It is recommended for large installation to make a load test (limited overload will result in the activation of the internal heat protection)

#### CONNECTIONS

##### AUTOBUS

AUTOBUS connector set + patch cable (supplied with the interface).

12V via AUTOBUS (should be minimum 9V). This Voltage can always be checked in PROSOFT diagnostics.

##### 230V power supply inputs

Power supply (L+N): nominal voltage 230V AC +/-15%.

Screw terminals; max. 4mm<sup>2</sup> (AWG 12) solid wire or 2,5mm<sup>2</sup> (AWG 14) stranded wire.

Must be externally protected with max. 10A MCB.

##### Dimmer outputs

Max. ten (10) LED lamps per channel.

2x350VA max. 230V/50Hz @ 40°C; Maximum total dimmed power 700VA @ 40°C (see also derating curve below); If only LED lights connected: Maximum total 560 VA.

Min. load per channel: 5 VA.

Screw terminals; max. 4mm<sup>2</sup> (AWG 12) solid wire or 2,5mm<sup>2</sup> (AWG 14) stranded wire.

##### Derating curve for maximum load

See schematic drawing.

##### Transformers (iron core)

Only a transformer intended for use with a phase cut dimmer is to be used.

#### POWER CONSUMPTION

##### AUTOBUS

Max. 20mA (18mA standby) @ 12V

#### DIMENSIONS

108 W x 90 H x 60 D (mm)

#### NET | GROSS WEIGHT

0,200 kg | 0,300 kg

#### PACKAGING CONTENT:

TDS13642 interface

AUTOBUS connector set + terminating resistor

AUTOBUS Patch cable for a fast installation.

#### STORAGE

##### Temperature

-20°C to +65°C

##### Relative humidity

15% to 85%

**IP PROTECTION RATE**

IP20

0°C to +50°C max.

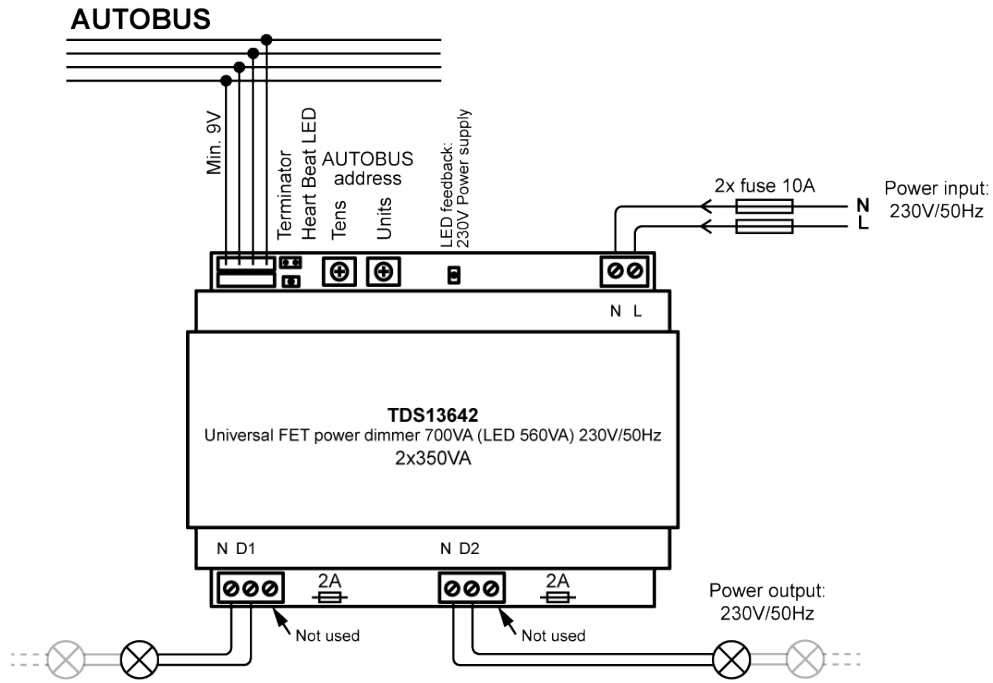
**OPERATING RANGE**

**Temperature**

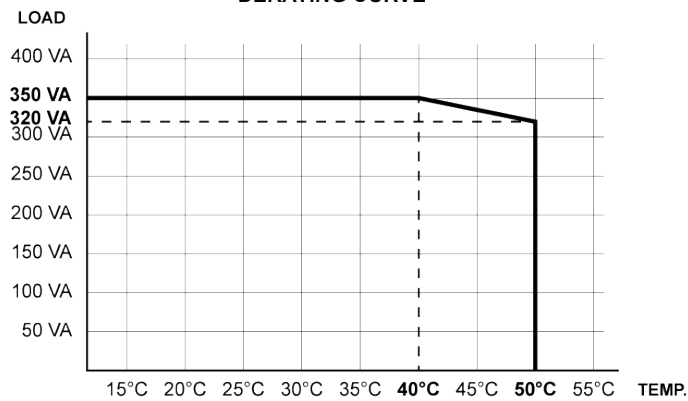
**Relative humidity**

5% to 85% at 25°C (non-condensing ambient)

**SCHEMATIC DRAWING**



**DERATING CURVE**



### TDS13644

### Universal FET Power Dimmer 1000VA (4x250VA)



The TDS13644 is a four channel AUTOBUS FET power dimmer for 230V/50Hz dimming of traditional-, LED- and other dimmable lights. The dimmer can also control lights and LED's which are connected via traditional and electronic transformers. Therefore, the dimmer can be configured to work in Leading or Trailing edge mode.

The TELETASK FET dimmer unit is also available in a two-channel (higher power) version with order ref TDS13642.

#### APPLICATION

Four channel 250VA universal power FET dimmer for dimmable 230V/50Hz lights.

#### CHARACTERISTICS

##### Customization

Full software (= local and remote) configuration via PROSOFT includes settings for: mode (Leading or Trailing), dim curve and ramp speed setting (separated fade-in and fade-out).

The ramp speed setting can be configured on each individual (AUTOBUS) control button.

Several more settings are available by default via PROSOFT: Minimum dim level, last dim level memory, go to level x, moods, timers, timed moods, group dimming via dimmable mood, etc. ...

##### Integrated PLC signal filter

The TDS13644 has an integrated filter to suppress interference from PLC/TF signals.

#### SETTINGS

##### Configuration

Via PROSOFT Suite (3.6.19.15 or higher).

##### AUTOBUS address

Via two rotary switches "Tens" & "Units".

##### Jumper

Terminating resistor (supplied with the central unit). To be used when the interface is at the physical end of the AUTOBUS cable.

#### INSTALLATION

##### DIN-rail mounting


6 modules wide.

##### Protection

Built-in: 4 x replaceable miniature fuse 2A for short circuit protection and 4 x electro-mechanical thermal overload protectors. The AUTOBUS is internal galvanic isolated from the output circuits.

Spare fuses: order ref. TDS90162 – pack of 10 ultra mini fuses 2A.

##### Important installation remarks

- !  Due to the risk of electrical shocks (230V), this product must be installed by a certified electrical contractor.
- ! Cut off the power supply (230V) when replacing the fuses
- ! Must be placed inside a protected electrical cabinet to avoid the risk of an electrical shock.
- ! Follow the safety standards from the local authorities to be compliant with all regulations.
- ! It is recommended for large installation to make a load test (limited overload will result in the activation of the internal heat protection)

#### CONNECTIONS

##### AUTOBUS

AUTOBUS connector set + patch cable (supplied with the interface).

12V via AUTOBUS (should be minimum 9V). This Voltage can always be checked in PROSOFT diagnostics.

##### 230V power supply inputs

Power supply (L+N): nominal voltage 230V AC +/-15%.

Screw terminals; max. 4mm<sup>2</sup> (AWG 12) solid wire or 2,5mm<sup>2</sup> (AWG 14) stranded wire.

Must be externally protected with max. 10A MCB.

##### Dimmer outputs

Max. eight (8) LED lamps per channel.

4x250VA max. 230V/50Hz @ 40°C; Maximum total dimmed power 1000VA @ 40°C (see also derating curve below); If only LED lights connected: Maximum total 800 VA.

Min. load per channel: 5 VA.

Screw terminals; max. 4mm<sup>2</sup> (AWG 12) solid wire or 2,5mm<sup>2</sup> (AWG 14) stranded wire.

##### Derating curve for maximum load

See schematic drawing.

##### Transformers (iron core)

Only a transformer intended for use with a phase cut dimmer is to be used.

#### POWER CONSUMPTION

##### AUTOBUS

Max. 25mA (18mA standby) @ 12V

#### DIMENSIONS

108 W x 90 H x 60 D (mm)

#### NET | GROSS WEIGHT

0,215 kg | 0,315 kg

#### PACKAGING CONTENT:

TDS13644 interface

AUTOBUS connector set + terminating resistor

AUTOBUS Patch cable for a fast installation.

#### STORAGE

##### Temperature

-20°C to +65°C

##### Relative humidity

15% to 85%

#### IP PROTECTION RATE

IP20

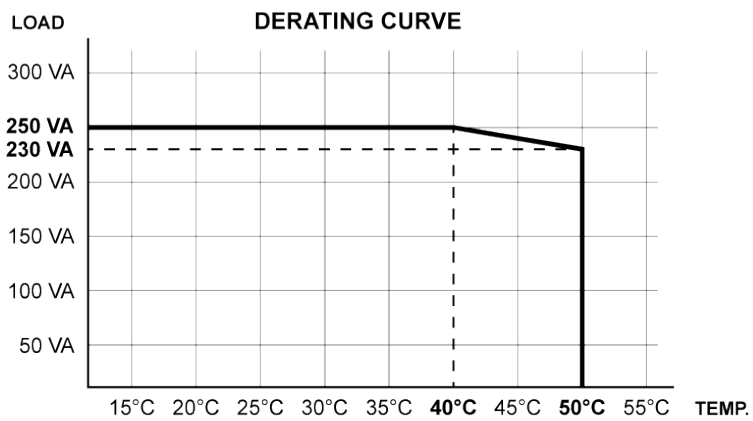
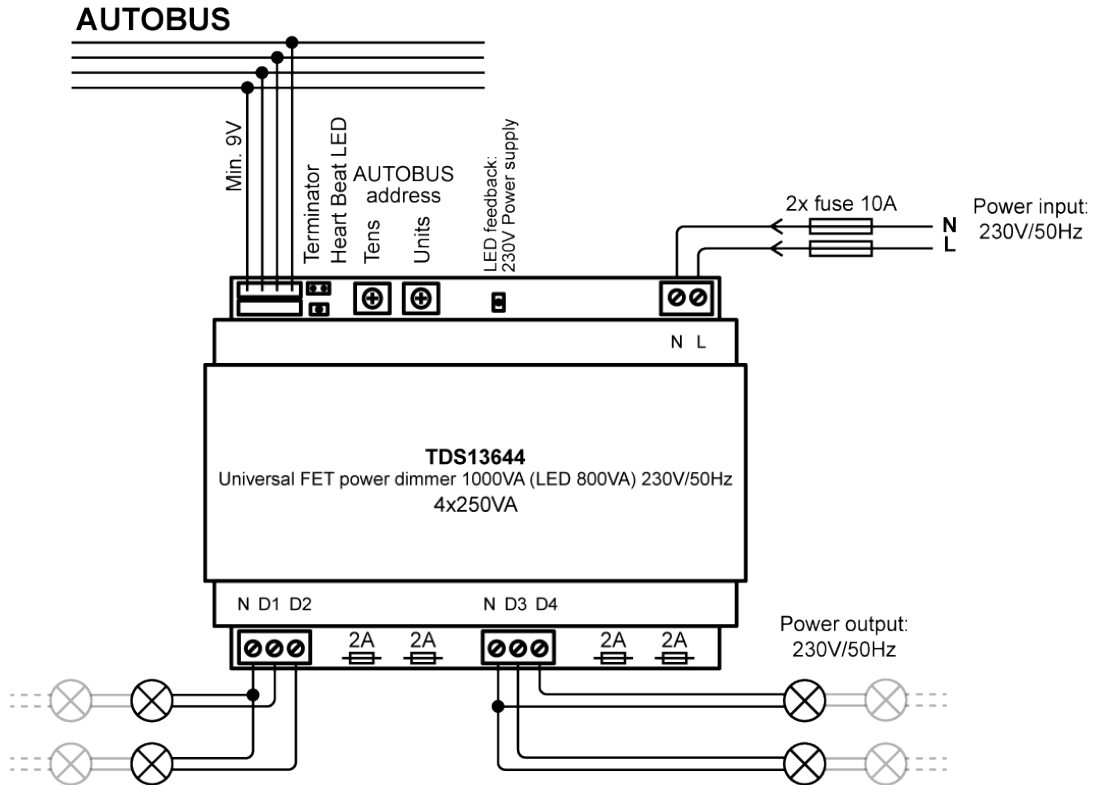
**OPERATING RANGE**

**Temperature**  
0°C to +50°C max.

**Relative humidity**

5% to 85% at 25°C (non-condensing ambient)

**SCHEMATIC DRAWING**







### TDS14065

### IR-COOKIE

The IR-COOKIE is a very compact AUTOBUS interface with a single IR transmitter to control an air conditioning unit (mainly used for indoor split units) or A/V device. It simulates the IR signals from the air conditioning or A/V remote control. Some devices are factory provided in the PROSOFT-IRDB library. In addition, your personal IR codes can easily be learned by the built-in IR receiver and added to the IRDB library.

#### APPLICATION

To be used for the integration of an IR controlled air conditioning or A/V device.

#### CHARACTERISTICS

##### General

Air conditioning or A/V units which are controlled by IR remote control (with a standard modulation frequency of 38 kHz), can be integrated.

##### Supported HVAC control functions:

- ON / OFF
- Temperature
- Fan speed (Low / Medium / High)
- Mode (Heat / Cool / Dry / Vent)
- Swing

##### Supported Audio control functions:

- ON / OFF
- Volume
- Source select
- Play / Previous / Next
- ...

! Remark: In a limited number of cases, IR control may not be possible. Therefore, TELETASK advises to test the compatibility before installation.

##### IR flasher output

Impedance = 16Ω on 9-12V (=AUTOBUS supply)

##### Built-in IR receiver

Brand specific IR-codes which are not available in the PROSOFT library can be learned.

#### SETTINGS

##### Configuration

IR-code learning and configuration via PROSOFT Suite (V3.6.14 or higher).

##### AUTOBUS address

Via two rotary switches "Tens" & "units".

##### Jumper

Terminating jumper (supplied with the central unit). To be used when the interface is at the physical end of the AUTOBUS cable.

#### INSTALLATION

##### Mounting

In the ceiling or inside a hollow wall (non-condensing ambient), in the immediate neighbourhood of the target device.

##### IR flasher

The IR flasher is glued on top of the IR receiver of the target device. The supplied IR flasher is equipped with self-adhesive tape.

##### Supply voltage

12V (supplied by the AUTOBUS - minimum 9V).

#### CONNECTIONS

##### AUTOBUS

AUTOBUS connector set (supplied with the interface).

##### IR flasher output

Both a mini-jack and a spring pressure connector with 2x 0,5-1,5mm<sup>2</sup> (AWG 20-16) are available. **Only one to be used.** IR flasher with 3m cable and mini-jack connector, is supplied with the interface.

Max. length of IR cable = 75m (0,34mm<sup>2</sup> when >10m).

#### POWER CONSUMPTION

##### AUTOBUS

Max. 80mA (36mA Standby)

#### DIMENSIONS

42 W x 42 H x 23 D (mm)

#### NET | GROSS WEIGHT

0,020 kg | 0,065 kg

#### PACKAGING CONTENT:

TDS14065 interface  
IR-flasher with 3m cable and mini-jack connector  
AUTOBUS connector set + terminating jumper

#### STORAGE

##### Temperature

-20°C to +65°C

##### Relative humidity

5% to 85%

#### IP PROTECTION RATE

IP20

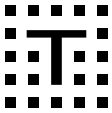
#### OPERATING RANGE

##### Temperature

0°C to +50°C max.

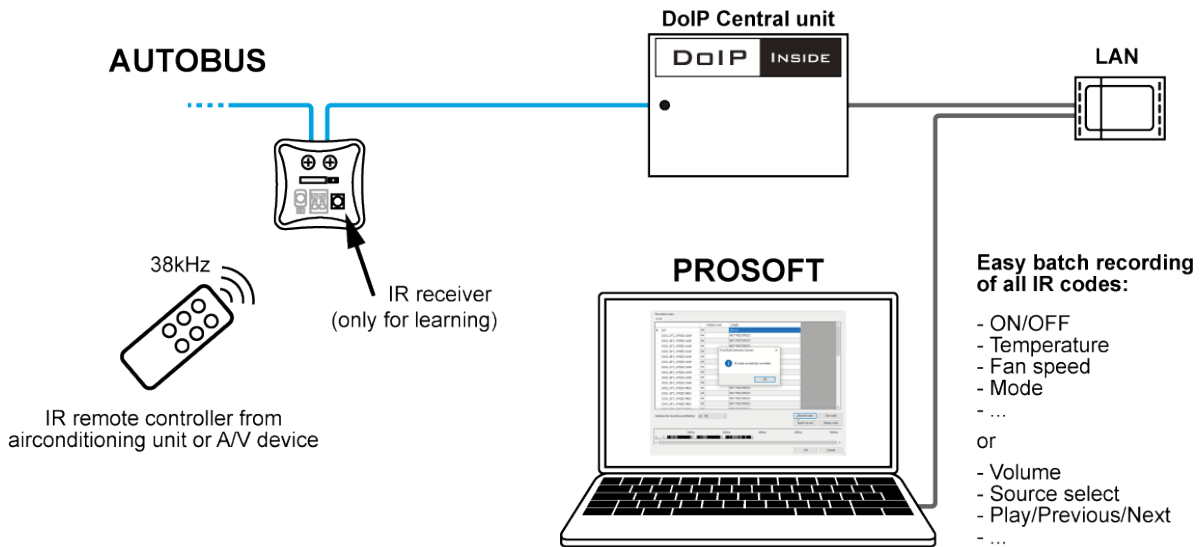
##### Relative humidity

5% to 85% at 25°C (non-condensing ambient)

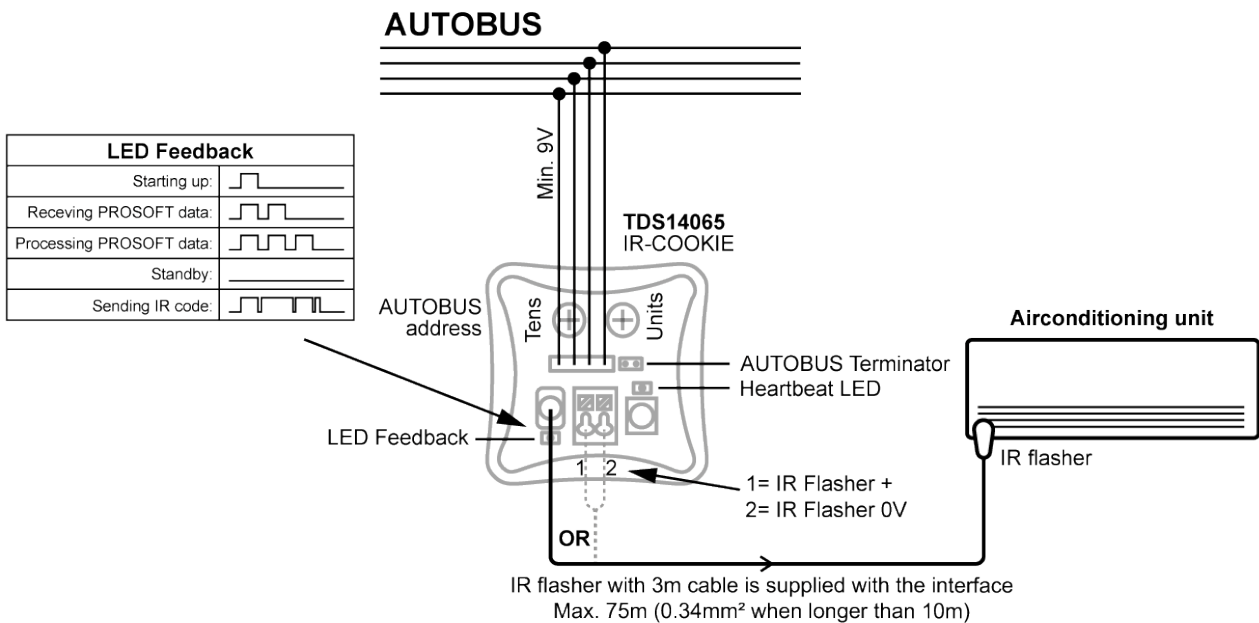


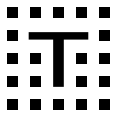
**SCHEMATIC DRAWING**

# Learn mode



# Installation





**TDS20065**

**Universal HVAC Master on LAN**

The TDS20065 is suited for controlling specific VRV/VRF units. Depending on the brand and the specific unit(s), the interface can be configured to integrate up to 32 indoor units (depending on the integrated HVAC type).

The TDS20065 is supplied with a TDS15200 Airco Software license. See the list of the supported HVAC models in this datasheet. If your required models are not listed, please contact your TELETASK supplier.

Remark: An additional adapter TDS20066 is required for Fujitsu (General).

**APPLICATION**

Interface for control of VRV/VRF HVAC and heat pump systems.

**CHARACTERISTICS**

**Supported brands**

- Aermec
- Airwell
- Air Con
- AlpicAir
- Arcelik
- Atlantic
- AUX
- Bosch
- Blue Star
- Bryant
- Carrier
- Comfort
- Cooper&Hunter
- CIAC
- Clivet
- Chigo (CG)
- Daikin (DK)
- Dantex
- Electra
- Ecox
- Energolux
- Fujitsu (General) (FJ) \*
- Fujitherma
- Gree (GR)
- Haier (HR)
- Hitachi (HT)
- Hisense
- IGC
- Intensity (MD)
- Innovair
- Intensity
- JCI
- Sanyo
- Sharp
- Star
- SystemAir
- Tadiran
- Toshiba (TO)
- Tosot
- Trane (TR)
- Tica
- Kentatsu (KT)
- Lennox
- Lessar
- LG (LG)
- Maxxa
- Midea (MD)
- Mitsubishi Electric (ME)
- Mitsubishi Heavy (MH)
- NED
- Panasonic (PN)
- Pioneer
- Rheem
- Samsung (SM)
- Sanyo (SA)
- Voltas
- York (YK)
- Yanmar

\*An additional adapter TDS20066 is required for Fujitsu (General).

**Functionalities**

Supported functionalities (Depends on HVAC system):

- Set temperature
- Measured room temperature
- 5 Modes: Auto,Heat,Cool,Dry,Vent
- Adjustable speed (Auto, Low, Medium, High)

**Display**

Colour LCD with touch screen for system settings.

**SETTINGS**

**General configuration**

Via PROSOFT 3.6.22 or higher.

**Network configuration**

Via display.

**DIP switches inside**

See quick installation guide on [professional.teletask.be](http://professional.teletask.be).

**INSTALLATION**

**DIN-rail mounting**

9 modules wide

**HVAC brand specific Remote Controller (the wall control panel).**

For service reasons it is recommended and sometimes obliged also to install the brand specific remote controller panel(s) (hidden). This allows the HVAC technician to service his system in the usual way without the need of TELETASK system knowhow.

**CONNECTIONS**

**HVAC System bus**

See connection diagram & Quick Installation Guide.

**Power supply**

9-24VDC 350mA max.

2 screw terminals.

A universal power adaptor 110/240V 50/60Hz 12V/350mA is supplied with the unit.

**LAN**

Ethernet connection. Must be the same LAN as the TELETASK Central Unit LAN.

**POWER CONSUMPTION**

Max. 200mA + optional 150mA for TDS20066 (for Fujitsu only).

**DIMENSIONS**

156 W x 90 H x 36 D (mm)

**NET | GROSS WEIGHT**

0,270 kg | 0,580 kg

**PACKAGING CONTENT**

TDS20065 interface

Universal power adaptor

**ENVIRONMENTAL CONDITIONS**

**Storage (with no condensation or icing)**

Temperature: -20°C to +65°C max.

Relative humidity: 5% to 85% max.

**Operation (with no condensation or icing)**

Temperature: 0°C to +50°C max.

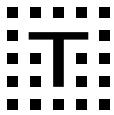
Relative humidity: 5% to 80% max.

**IP PROTECTION RATE**

IP20

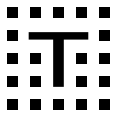
**LIMITED WARRANTY**

2 years

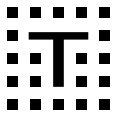


**DEVICE COMPATIBILITY LIST:**

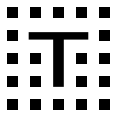
<b>Blue Star</b>	Series VRF V Plus DVRF	
<b>Chigo</b>	Series CMV-C            CMV-X            CMV-R CMV-II            CMV-I            CMV-mini  Outdoor VRF Unit Types CMV-V            CMV-D	Indoor VRF Unit Types CMV-Q            CMV-Q1            CMV-Q2 CMV-Q4            CMV-TA            CMV-TB CMV-TH            CMV-TF            CMV-G CMV-LD
<b>Daikin</b>	VRV Outdoors RXYQ-M/P (VRV II,VRV III) RXYQ (VRV-IV) RQYQ-P, RQCEQ (RQEQ), RYYQ-T (RYMQ), (VRV4) RQZQ-ABYN            RXYK (VRV) RXYSQ-M/P (VRV Small)    RXYSCQ RHXY            RHXYQ RXY-M RWEYQ            REYQ (REMQ), REYHQ            REAQ RXYCQ-A            RQQ RXYQ-T            RXTQ RPZQ            RZYQ-PY VRV 5 S-series: RXYSA  Split / Multi Split / SkyAir Outdoors RXN (RKN)            RXS RXG            2MX, 3MX, 4MX, 5MX RMX,            RZQ (RZR) RQ            RXM60M9  *Split, Multi Split and Sky Air systems will also be compatible when using D3 Net interfaces (KRP928 or DTA112)	Indoor Unit Types VRV Indoors FJEKP            FXCQ            FXNQ FXLQ            FXFQ            FXKQ FXZQ            FXDQ            FXDYQ FXSQ            FXAQ            FXUQ FXMQ            FXHQ            FXTQ FQDP            FQRP            FQSP FZFP            FZSP            VKM FXDp            FDYQN            FXFA-A  Split / Multi Split / SkyAir indoors* FTX            FDX            CDX CTX            FVX            FFQ FAQ            FBQ            FCQ FHQ            FTQ            FDQ FNQ-A            FNA60A
<b>Fujitsu (General)</b>	Outdoor Unit Types AJ  Please note that the TDS20065 interface is compatible only with V2 and up series and J2 series of VRF systems). For non VRF units, the control is possible through UTY-VGGX converter (if applicable for the air conditioning unit). USB adaptor is also a must. It is not supplied with the kit and must be purchased locally.	Indoor Unit Types VRF Indoors AB_MCERA            AB_MEERA            AC_MCERA AC_MFERA            AD_MLERA            AD_MMERA AD_MHERA            AS_MCERA
<b>Gree</b>	Outdoor Unit Types GMVL-R_W/Na-K/M            GMVL-R_W/H-K/M GMVL-R_W/B-K/M            GMVL-R_W/A-D GMVL-R_W/AS-F            GMVL-R_W/AS-H	Indoor Unit Types VRF Indoors AB_MCERA            AB_MEERA            AC_MCERA AC_MFERA            AD_MLERA            AD_MMERA AD_MHERA            AS_MCERA
<b>Haier</b>	Outdoor Unit Types VRF Outdoors AV_NMVERA  Series MRV-2            MRV-3    MRV-4MRV-4-C	Indoor Unit Types VRF Indoors AB_MCERA            AB_MEERA            AC_MCERA AC_MFERA            AD_MLERA            AD_MMERA AD_MHERA            AS_MCERA



<p><b>Hitachi</b></p>	<p><u>Outdoor Unit Types</u> RAS-FSN      RAS-FSXN      RAS-FXNE</p> <p>Multi, Split and SkyAir systems will also be compatible when using H link adapter (PSC-6RAD)</p>	<p><u>Indoor Unit Types</u> RCI    RPC      RPF RCD    RPK      RPI RPF</p>
<p><b>Intensity</b></p>	<p><u>Outdoor VRF Unit Types</u> MDV-W/DDN1    MDV-W/D2DN1 MDV-VW/DVN1</p>	<p><u>Indoor VRF Unit Types</u> MDV-G/N1-S    MDV-G-R3/QN1Y MDV-Q1/N1-C    MDV-Q4/N1-D MDV-DL/N1-C    MDV-T2/VN1-BA5 MDV-T1/VN1-B</p>
<p><b>Kentatsu</b></p>	<p><u>Series</u> DX PRO 3</p> <p><u>Outdoor Unit Types</u> KTRX    KTRY KTRZ    KURY KURZ    KTRZ</p>	<p><u>Indoor Unit Types</u> KTTY    KTHX KTGY    KTGZ    KTTY KTZX    KTVY    KTTY KTLZ    KTKX    KTTX</p>
<p><b>LG</b></p>	<p><u>Outdoor Unit Types</u> ARUB-LT    ARU      ARUN-LT ARUN-GS    ARUN-LR    ARUN-BTE ARUV-LT    ARWB-BAS    ARWN-BAS</p>	<p><u>Indoor Unit Types</u> ARNU-GB1G    ARNU-GCEA    ARNU-GSEL ARNU-GSBL    ARNU-GSER    ARNU-GSF ARNU-GTEC    ARNU-GTJC    ARNU-GB1G ARNU-GBHA    ARNU-GCFA    ARNU-GCFU ARNU-GBGA    ARNU-GTMC    ARNU-GBRA ARNU-SCR    ARNU-NJA    ARNU-NKA ARN      ARNBG      ARNL ARNTP    ARNTM</p>
<p><b>Midea</b></p>	<p><u>Series</u> V4 Plus    V4 Plus S      V4 Plus K</p> <p><u>VRF Outdoor Unit Types</u> MDV-V    MDV-W      MDVC-W MV5</p>	<p><u>VRF Indoor Unit Types</u> MDV-D-Q1    MDV-D-Q2    MDV-D-Q4 MDV-D-Q4-A    MDV-D-T1    MDV-D-T2 MDV-D-T3    MDV-D-G    NDV-D-DL MDV-D-Z</p>
<p><b>Mitsubishi Electric</b></p>	<p><u>Series</u> CITY MULTI</p> <p><u>Outdoor Unit Types</u></p> <p><u>VRF Outdoors</u> PUHY    PURY      PQHY PQRY    PUMY</p> <p><u>Split / Multi Split outdoors</u> PUHZ</p>	<p><u>Indoor Unit Types</u></p> <p><u>VRF Indoors</u> PKFY    PFFY-PVKM    PLFY-P-VCM PEFY-P-VMS1    PFFY-P-VLRM    PCFY-P-VGM PLFY-P-VLMD    PEFY-P-VMM    PFFY-P-VLEM PLFY-P-VBM    PMFY-P-VBM    PEFY-P-VMH PEFY-P-VMA    PEFYP100VMA-EPVIFY-P PEFY-P-VMA-E    PEFY-P63VMA(L)-E</p> <p><u>Split / Multi Split indoors</u> PEAD    SEZ-KD</p>
<p><b>Panasonic</b></p>	<p><u>Outdoor Unit Types</u> PACi split:      ECOi VRF: U-...PE...      U-...LE... U-...PZ...      U-...ME...                          U-...MF...</p> <p>*Residential units also compatible:</p>	<p><u>Indoor Unit Types</u></p> <p>S-...P(M)K...    S-...P(M)T...    S-...MK... S-...P(M)Y...    S-...PE...      S-...MM... S-...PN...      S-...MP...      S-...MD... S-...P(M)F...    S-...MR...      S-...ML... S-...P(M)U...    S-...MG...      S-...ME...</p>

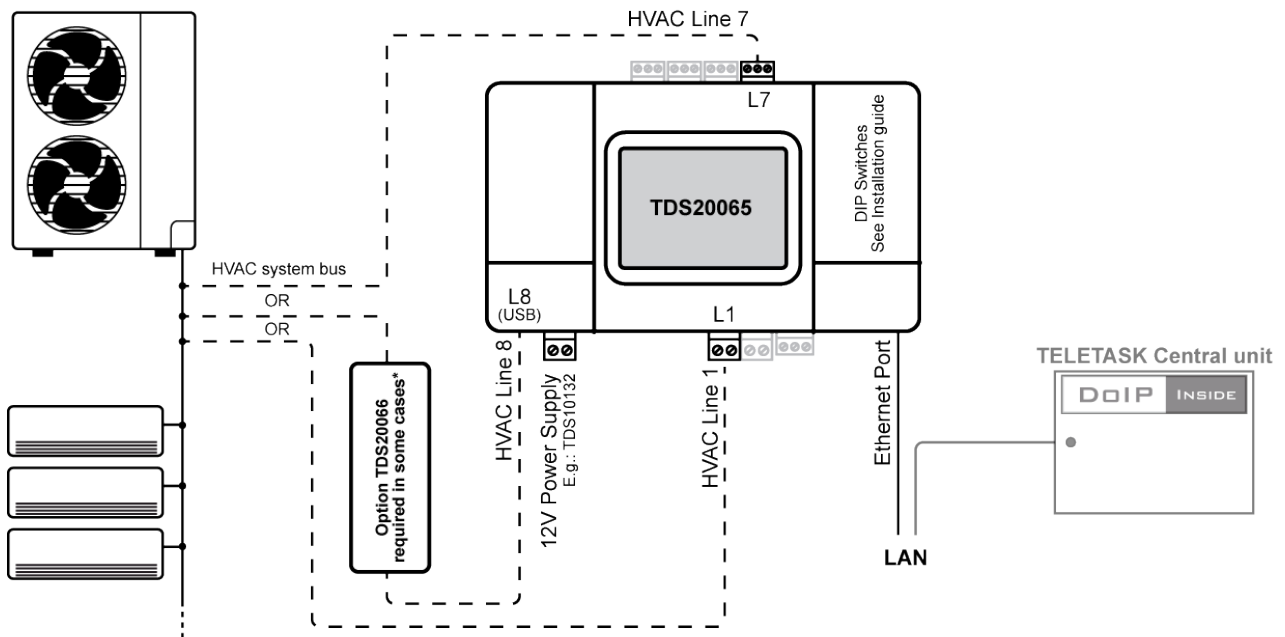


	It's necessary to have CZ-CAPRA1 interface between P-Link and RAC protocol to cover basic operating items.	
<b>Sanyo</b>	<u>Outdoor VRF</u> MFL EFL SPW_CO SPW-C SPW-CR SGP-EZ SGP-EW	<u>Indoor VRF</u> NWFL                      SPW-KR                      SPWFMR NPFL                      SPW-U                      SPW-FR NDSL P                      SNDHP                      SPW-UMR NFFL                      NPFL NK2FL                      NKFL SPW-X                      NDLP SPW-ADR                      NFMFL SPW-LDR                      SPW-XM SPW-K                      SPW-SR SPW-FTR                      SPW-FUR
<b>Toshiba</b>	<u>Outdoor VRF</u> MCY-MAP..HT MCY-MHP..E MMY-MAP..T8 MMY-MAP..HT8 MMY-MAP..FT8	<u>Indoor VRF</u> MMU-AP..H                      MMD-AP..HFE                      MMD-AP..H MMK-AP..E                      MMU-AP..MH                      MMK-AP..H MML-AP..E                      MMD-AP..BH                      MMF-AP..H MMU-AP..YH                      MMC-AP..H MMD-AP..SPH                      MML-AP..BH MML-AP..H                      MMU-AP..WH
<b>Samsung</b>	Series DVM S  <u>Outdoor Unit Types</u> AM040KXMDEH/EU AM072FXVAFH/AA                      AM096FXVAFH/AA AM120FXVAFH/AA                      AM144FXVAFH/AA AM168FXVAFH/AA                      AM192FXVAFH/AA AM216XVAFH/AA                      AM240FXVAFH/AA AM264FXVAFH/AA                      AM288FXVAFH/AA AM312FXVAFH/AA                      AM336FXVAFH/AA AM360FXVAFH/AA                      AM348FXVAFH/AA AM408FXVAFH/AA                      AM432FXVAFH/AA AM072FXVAFR/AA                      AM096FXVAFR/AA AM120FXVAFR/AA                      AM144FXVAFR/AA AM168FXVAFR/AA                      AM192FXVAFR/AA AM216XVAFR/AA                      AM240FXVAFR/AA AM264FXVAFR/AA                      AM288FXVAFR/AA AM312FXVAFR/AA                      AM336FXVAFR/AA AM360FXVAFR/AA                      AM348FXVAFR/AA AM408FXVAFR/AA                      AM432FXVAFR/AA AM072FXVAJH/AA                      AM096FXVAJH/AA AM120FXVAJH/AA                      AM144FXVAJH/AA AM168FXVAJH/AA                      AM192FXVAJH/AA AM216XVAJH/AA                      AM240FXVAJH/AA AM264FXVAJH/AA                      AM288FXVAJH/AA AM312FXVAJH/AA                      AM336FXVAJH/AA AM360FXVAJH/AA                      AM348FXVAJH/AA AM408FXVAJH/AA                      AM432FXVAJH/AA AM072FXVAJR/AA                      AM096FXVAJR/AA AM120FXVAJR/AA                      AM144FXVAJR/AA AM168FXVAJR/AA                      AM192FXVAJR/AA AM216XVAJR/AA                      AM240FXVAJR/AA AM264FXVAJR/AA                      AM288FXVAJR/AA AM312FXVAJR/AA                      AM336FXVAJR/AA AM360FXVAJR/AA                      AM348FXVAJR/AA AM408FXVAJR/AA                      AM432FXVAJR/AA	<u>Indoor Unit Types</u> AM015TNADKH/EU AM022TNADKH/EU AM028TNADKH/EU AM036TNADKH/EU AM009FN4DCH/AA                      AM018FN4DCH/AA AM024FN4DCH/AA                      AM030FN4DCH/AA AM036FN4DCH/AA                      AM048FN4DCH/AA AM009FNNDCH/AA                      AM012FNNDCH/AA AM018FNNDCH/AA                      AM020FNNDCH/AA AM007FN1DCH/AA                      AM009FN1DCH/AA AM012FN1DCH/AA                      AM036FNHDCH/AA AM048FNHDCH/AA                      AM076FNHDCH/AA AM096FNHDCH/AA                      AM018FNMDCH/AA AM024FNMDCH/AA                      AM030FNMDCH/AA AM036FNMDCH/AA                      AM048FNMDCH/AA AM007FNLDCH/AA                      AM009FNLDCH/AA AM012FNLDCH/AA                      AM024FNLDCH/AA AM030FNLDCH/AA                      AM036FNLDCH/AA AM048FNLDCH/AA                      AM007FNTDCH/AA AM009FNTDCH/AA                      AM012FNTDCH/AA AM018FNTDCH/AA                      AM020FNTDCH/AA AM024FNTDCH/AA                      AM018FNCDC/AA AM024FNCDC/AA                      AM071FNMDEH AM090FNMDEH                      AM028FN1DEH AM071FN1DEH                      AM071FNCDEH AM015HNNDEH/EU                      AM015HNQDEH/EU AM022FNNDEH/EU                      AM028FNNDEH/EU AM017FNLDEH/EU                      AM022FNLDEH/EU AM028FNLDEH/EU                      AM036FNLDEH/EU



	<u>AM036FXMDCH/AA</u> <u>AM048FXMDCH/AA</u> <u>AM053FXMDCH/AA</u> <u>AM080FXWANR/EU</u> <u>AM100FXWANR/EU</u> <u>AM120FXWANR/EU</u> <u>AM160FXWANR/EU</u> <u>AM180FXWANR/EU</u> <u>AM200FXWANR/EU</u> <u>AM220FXWANR/EU</u> <u>AM240FXWANR/EU</u> <u>AM260FXWANR/EU</u> <u>AM280FXWANR/EU</u> <u>AM300FXWANR/EU</u> <u>AM320FXWANR/EU</u> <u>AM340FXWANR/EU</u> <u>AM360FXWANR/EU</u> <u>AM380FXWANR/EU</u> <u>AM400FXWANR/EU</u> <u>AM420FXWANR/EU</u> <u>AM440FXWANR/EU</u> <u>AM480FXWANR/EU</u> <u>AM500FXWANR/EU</u> <u>AM520FXWANR/EU</u> <u>AM600FXWANR/EU</u> <u>AM060FXMDEH/EU</u> <u>AM040FXMDEH/EU</u> <u>AM080FXVAGH/EU</u> <u>AM240FXVAGR/EU</u> <u>AM140FXVAGR/EU</u> <u>AM180FXVAGR/EU</u>			
<b>Trane</b>	<u>Outdoor VRF</u> <u>4TVH</u> <u>4TVWH</u> <u>4TVR</u>	<u>Indoor VRF</u> <u>4TVA</u> <u>4TVH</u> <u>4TVC</u> <u>4TVW</u> <u>4TVF</u> <u>4TVB</u> <u>4TVX</u> <u>4TVG</u> <u>4TVD</u> <u>4TVE</u>		

**SCHEMATIC DRAWING**

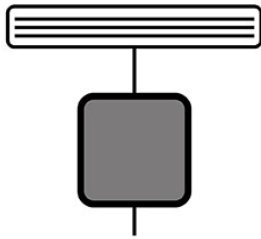


Brand	HVAC Line #	Interface	Terminals	Polarity	Max. Indoor units	Max. Outdoor units
Daikin	L1	DIII-NET	F1 F2	none	64	10
Sanyo	L1	S-NET	U1 U2	none	64	16
Panasonic	L1		U1 U2	none	64	16
Toshiba	L1	TCC LINK	U1 U2	none	64	16
Mitsubishi Electric	L1	M-NET	M1 M2	none	50	10
Hitachi (JCI)	L1	H Link, H Link 2	1 2	none	64	10
York	L1		P Q	none	64	
Haier	L1		P Q	none	64	
LG	L7		Inter A Inter B	+ -	64	-
Gree VRF	L7		A B	+ -	16	4
Mitsubishi Heavy Industries	L7	SuperLink / New SuperLink	A B	+ -	64	10
Samsung	L7		F1 F2 / R1 R2	+ -	64	10
Midea	L7		X Y E	+ - GND	64	16
Kentatsu	L7		X Y E	+ - GND	64	16
Trane	L7		X Y E	+ - GND	64	16
Chigo	L7		X Y E	+ - GND	64	16
Fujitsu	L8 (USB)*	LON (ANSI/CEA-709.1-B)	X1 X2	none	64	10
Gree GMV5	L8 (USB)**		G1 G2		64	
Rheem	L8 (USB)*	LON (ANSI/CEA-709.1-B)	X1 X2		64	

\*TDS20066 required

\*\* Additional parts required. Contact support for more information.





## HVAC PLUG

### TDS20067xx

This HVAC PLUG interface is a brand related (several order ref's TDS20067xx available) SPLIT system integration solution. It is one of the many solutions from TELETASK to integrate HVAC with the other home automation system features. The HVAC PLUG integrates a (multi)split HVAC indoor unit via a specific IP HUB with the DoIP system. Up to ten HVAC PLUG units can be connected over 3 wires with a HVAC HUB TDS20068 (see specific data sheet for this device) .

### HVAC PLUG interface

#### APPLICATION

TDS integration over IP with an indoor unit of a specific brand. See the list of TDS20067xx interfaces and their supported HVAC indoor units below, or ask your TELETASK contact if your specific indoor unit is supported. TELETASK has a full range of HVAC PLUGS for all most important HVAC brands. See the list below but we may have a solution for non listed indoor units as well. Please send the references, of your indoor- and outdoor units, to your TELETASK technical support contact to check if your HVAC device is supported. In order to connect the HVAC PLUG with the DoIP system, a universal (brand independent) HVAC HUB is needed per up to ten HVAC PLUG units. The HVAC PLUG solution is an alternative if the indoor units can't be controlled over IR (with the TDS14065) or in case the TDS20065 universal HVAC interface over IP is too powerful and not necessary.

#### CHARACTERISTICS

##### General

The interface is compact and can be installed in the indoor unit or hidden in the ceiling next to the indoor unit. It is powered by the indoor unit (Depending on the brand a specific cable may be supplied with the HVAC PLUG). The integration allows the end-user to control all basic functions : on/off, mode set, temperature set, fan speed- and swing control.

Software license:

In order to activate this integration with DoIP, a TDS15200 HVAC software license is needed. It is included with the TDS20068 HVAC HUB interface, so it is not to be ordered separately.

##### Supported brands

- Daikin
- Daikin Siesta Series
- Fujitsu
- Fujitsu/General
- Gree
- Hitachi
- LG
- Midea
- Mitsubishi Electric
- Mitsubishi Heavy
- Panasonic
- Samsung
- Sanyo
- Toshiba

More brands available upon request.

#### SETTINGS

##### Configuration

After setting the HVAC PLUG via the specific software (see installation manual), the control settings are configured in the PROSOFT configuration Suite (V3.8.2 or higher).

##### AUTOBUS address

Not applicable. The HVAC PLUG is software addressed (see installation manual).

#### INSTALLATION

##### Mounting

Can be mounted with a specific sticker/magnet combination to the indoor unit housing.

##### Supply voltage

The HVAC PLUG is powered from the indoor unit.

#### CONNECTIONS

##### A daisy chain network to the HVAC HUB

The HVAC PLUG is connected to his HVAC HUB via a daisy chain network, which means a multi-drop network of 2+1 wire which can be up to 1000 meter long. For example a 2 x twisted pair cable with wires 0.5mm<sup>2</sup>.

##### To the indoor unit

A brand specific connection cable from the HVAC PLUG to the indoor unit is supplied with the interface. Please check "[TDS20067 Quick Installation Guide](#)", if special cable is required, it is included in the package. Maximum length is always 2 meter.

##### To the LAN

The HVAC PLUG is not directly connected to the TDS LAN but it is connected to a HVAC HUB and this HUB makes the ethernet connection.

#### POWER CONSUMPTION

No consumption on the TDS system (the HVAC PLUG is powered by the HVAC indoor unit).

#### DIMENSIONS

62 L x 62 W x 31 H (mm)

#### NET | GROSS WEIGHT

0,07 kg | 0,13 kg

#### PACKAGING CONTENT:

TDS20067xx interface  
Brand specific cable (optional)  
Mounting bracket

#### ENVIRONMENTAL CONDITIONS

##### Storage (with no condensation or icing)

Temperature: -20°C to +65°C max.  
Relative humidity: 5% to 85% max.

### Operation (with no condensation or icing)

Temperature: 0°C to +50°C max.  
Relative humidity: 5% to 80% max.

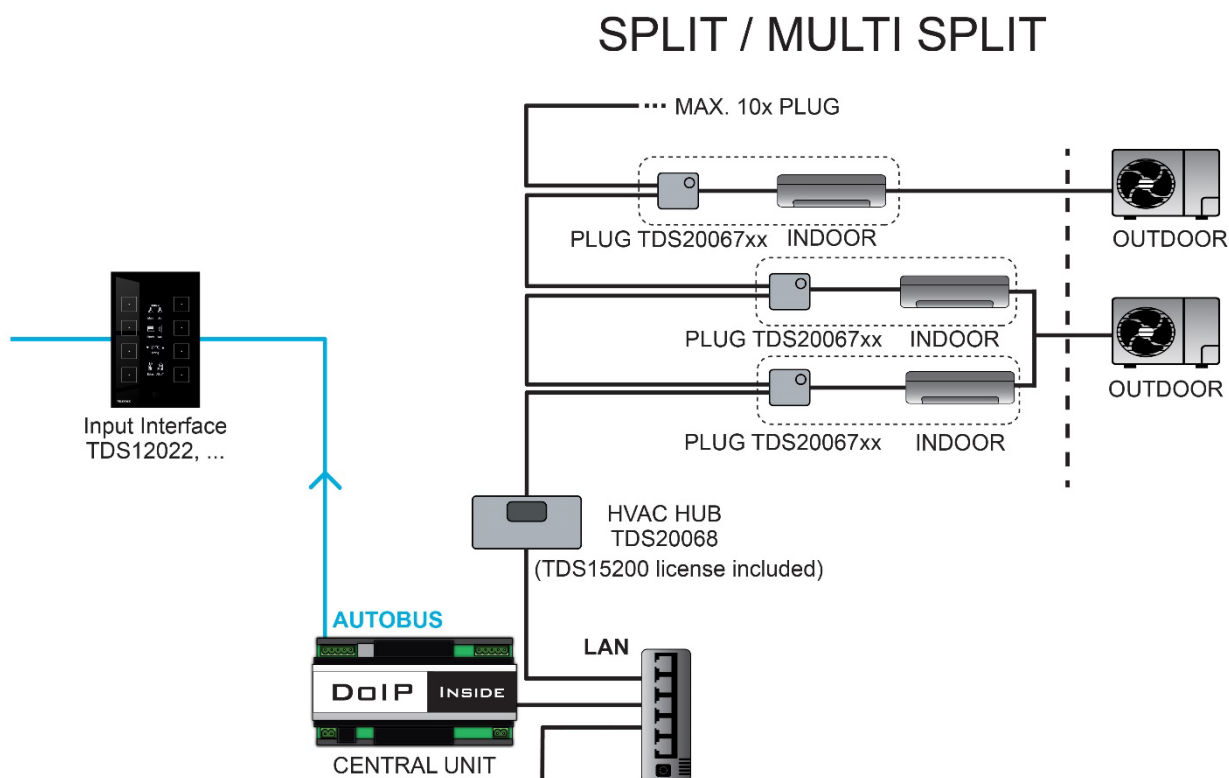
### IP PROTECTION RATE

IP20

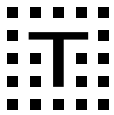
### LIMITED WARRANTY

3 year

### SCHEMATIC DRAWING

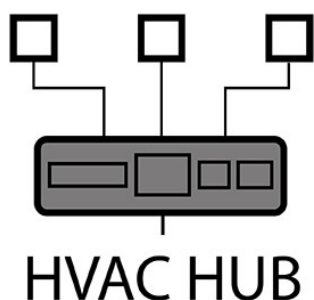


Brand	PLUG Model	Cable Type
Daikin	TDS20067DK	S21
Daikin Siesta series	TDS20067DS	Siesta
Fujitsu/General	TDS20067FJ	FJ003
GREE	TDS20067GR	4 units
Hitachi	TDS20067HT	X
LG	TDS20067LG	X
Mitsubishi Electric	TDS20067ME	CN105
Mitsubishi Heavy	TDS20067MH	X
Panasonic	TDS20067PN	X
Samsung	TDS20067SM	X
Sanyo	TDS20067SA	X
Toshiba	TDS20067TO	X



**COMPATIBILITY LIST**

<p>Daikin</p>	<p>Outdoor VRF Unit Types ERLQ3 ERHQ3</p> <p>Outdoor VRV Unit Types VRV 5 S-series:RXYSA</p> <p>Outdoor Split Unit Types RZQ (RZR) RQ RXRY</p>	<p>Indoor VRF/MRV Unit Types</p> <table border="0"> <tr> <td>ADEQS</td> <td>FXDYQ</td> <td>FQSP</td> </tr> <tr> <td>FXCQ</td> <td>FXSQ</td> <td>FXDp</td> </tr> <tr> <td>FXNQ</td> <td>FXAQ</td> <td>EHSX3</td> </tr> <tr> <td>FXLQ</td> <td>FXUQ</td> <td>EHVX3</td> </tr> <tr> <td>FXFQ</td> <td>FXMQ</td> <td>EHVA3</td> </tr> <tr> <td>FXKQ</td> <td>FXHQ</td> <td>EBH3</td> </tr> <tr> <td>FXZQ</td> <td>FXTQ</td> <td>EBX3</td> </tr> <tr> <td>FXDQ</td> <td>FQDP</td> <td>FDYQN</td> </tr> <tr> <td>FXFA-A</td> <td></td> <td></td> </tr> </table> <p>Indoor Split</p> <table border="0"> <tr> <td>FDX2</td> <td>FFQ1</td> <td>FCQ1</td> </tr> <tr> <td>CDX2</td> <td>FAQ1</td> <td>FHQ</td> </tr> <tr> <td>FTX2</td> <td>FBQ1</td> <td>FTQ1</td> </tr> <tr> <td></td> <td></td> <td>FDQ1</td> </tr> </table>	ADEQS	FXDYQ	FQSP	FXCQ	FXSQ	FXDp	FXNQ	FXAQ	EHSX3	FXLQ	FXUQ	EHVX3	FXFQ	FXMQ	EHVA3	FXKQ	FXHQ	EBH3	FXZQ	FXTQ	EBX3	FXDQ	FQDP	FDYQN	FXFA-A			FDX2	FFQ1	FCQ1	CDX2	FAQ1	FHQ	FTX2	FBQ1	FTQ1			FDQ1
ADEQS	FXDYQ	FQSP																																							
FXCQ	FXSQ	FXDp																																							
FXNQ	FXAQ	EHSX3																																							
FXLQ	FXUQ	EHVX3																																							
FXFQ	FXMQ	EHVA3																																							
FXKQ	FXHQ	EBH3																																							
FXZQ	FXTQ	EBX3																																							
FXDQ	FQDP	FDYQN																																							
FXFA-A																																									
FDX2	FFQ1	FCQ1																																							
CDX2	FAQ1	FHQ																																							
FTX2	FBQ1	FTQ1																																							
		FDQ1																																							
<p>Fujitsu</p>	<p>Series</p> <table border="0"> <tr> <td>ASBG</td> <td>ARXC</td> <td>ABYG</td> </tr> <tr> <td>ASYA</td> <td>ARXB</td> <td>ABYF</td> </tr> <tr> <td>ASYG</td> <td>AUYG</td> <td>ABYA</td> </tr> <tr> <td>ASYB</td> <td>AUYF</td> <td>ARTAL</td> </tr> <tr> <td>ASYE</td> <td>AUYA</td> <td>RCI</td> </tr> <tr> <td>ARYF</td> <td>AUXB</td> <td>RPC</td> </tr> <tr> <td>ARYG</td> <td>AUXD</td> <td>RPI</td> </tr> <tr> <td>ARYA</td> <td>AUXA</td> <td>RCD</td> </tr> <tr> <td>ARXA</td> <td>AGYF</td> <td>RPK</td> </tr> <tr> <td>ARYC</td> <td>AGYG</td> <td>RPI</td> </tr> <tr> <td></td> <td></td> <td>RPF</td> </tr> </table>	ASBG	ARXC	ABYG	ASYA	ARXB	ABYF	ASYG	AUYG	ABYA	ASYB	AUYF	ARTAL	ASYE	AUYA	RCI	ARYF	AUXB	RPC	ARYG	AUXD	RPI	ARYA	AUXA	RCD	ARXA	AGYF	RPK	ARYC	AGYG	RPI			RPF							
ASBG	ARXC	ABYG																																							
ASYA	ARXB	ABYF																																							
ASYG	AUYG	ABYA																																							
ASYB	AUYF	ARTAL																																							
ASYE	AUYA	RCI																																							
ARYF	AUXB	RPC																																							
ARYG	AUXD	RPI																																							
ARYA	AUXA	RCD																																							
ARXA	AGYF	RPK																																							
ARYC	AGYG	RPI																																							
		RPF																																							
<p>Mitsubishi Electric</p>	<p>Indoor Split</p> <table border="0"> <tr> <td>PKFY</td> <td>PLFY-P-VCM</td> <td>PEA-RP</td> </tr> <tr> <td>PEFY</td> <td>PEAD-RP</td> <td>SEZ</td> </tr> <tr> <td>PFFY-PVKM</td> <td>PCA</td> <td>SLZ</td> </tr> </table>	PKFY	PLFY-P-VCM	PEA-RP	PEFY	PEAD-RP	SEZ	PFFY-PVKM	PCA	SLZ																															
PKFY	PLFY-P-VCM	PEA-RP																																							
PEFY	PEAD-RP	SEZ																																							
PFFY-PVKM	PCA	SLZ																																							
<p>Hitachi LG Gree Midea Mitsubishi Heavy Panasonic Samsung Sanyo Toshiba</p>	<p>Please contact your local support to confirm your model.</p>																																								



### TDS20068

The HVAC HUB unit is an interface that makes the connection between one to ten HVAC PLUG units (TDS20067xx) and the DoIP central unit LAN. Up to ten HVAC PLUG units can be connected over 3 wires with this HVAC HUB.

### HVAC HUB interface

#### APPLICATION

TDS integration over IP with (multi-)split indoor units in small to medium size HVAC projects. See list of supported HVAC indoor devices below or ask your TELETASK contact if your specific indoor unit is supported. TELETASK has a range of other HVAC PLUGS for other brands as well.

In order to connect up to ten HVAC PLUG interfaces TDS20067xx with the DoIP system, this universal HVAC HUB TDS20068 is to be used.

#### CHARACTERISTICS

##### General

The integration enables the end-user to control all basic HVAC functions : on/off, cool/heat mode set, temperature set, fan speed- and swing control.

In order to activate this integration with DoIP, a TDS15200 HVAC software license is needed. It is included with the TDS20068 HVAC HUB interface, so it is not to be ordered separately.

##### Supported brands

- Daikin
- Daikin Siesta Series
- Fujitsu
- Fujitsu/General
- Gree
- Hitachi
- LG
- Midea
- Mitsubishi Electric
- Mitsubishi Heavy
- Panasonic
- Samsung
- Sanyo
- Toshiba

More brands available upon request.

#### SETTINGS

##### Configuration

After defining the HVAC PLUG settings via the specific software (installation manual), the HVAC interface is ready to be configured in the PROSOFT Suite (V3.8.2 or higher).

##### AUTOBUS address

Not applicable. The interface is not connected to AUTOBUS but communicates with the TELETASK central unit(s) via standard LAN connection.

#### INSTALLATION

##### Mounting

The interface is compact and can be installed hidden in almost any place where it can be connected with the LAN (ethernet) and to the one to ten HVAC PLUGS units (3-wire daisy chain network). We recommend to install it where you have easy access (like in the electrical board or ICT rack).

##### Supply voltage

The HVAC HUB is powered with the supplied mains adaptor.

#### CONNECTIONS

##### A daisy chain network to the HVAC PLUG unit(s)

The HVAC PLUG units are connected to the HVAC HUB via a daisy chain network, which means a multi-drop network of 2+1 wire which can be up to 1000 meter long in total. For example a 2 x twisted pair cable with wires 0.5mm<sup>2</sup>.

##### To the LAN

The HVAC HUB has a standard RJ45 ethernet connection in order to be connected to the LAN (switch).

#### POWER CONSUMPTION

No consumption on the TDS system (the HVAC HUB is powered by the supplied mains adaptor).

#### DIMENSIONS

118 L x 75 W x 32 H (mm)

#### NET | GROSS WEIGHT

0,14 kg | 0,36 kg

#### PACKAGING CONTENT:

TDS20068 interface  
Mains adaptor  
Mounting unit

#### ENVIRONMENTAL CONDITIONS

##### Storage (with no condensation or icing)

Temperature: -20°C to +65°C max.  
Relative humidity: 5% to 85% max.

##### Operation (with no condensation or icing)

Temperature: 0°C to +50°C max.  
Relative humidity: 5% to 80% max.

#### IP PROTECTION RATE

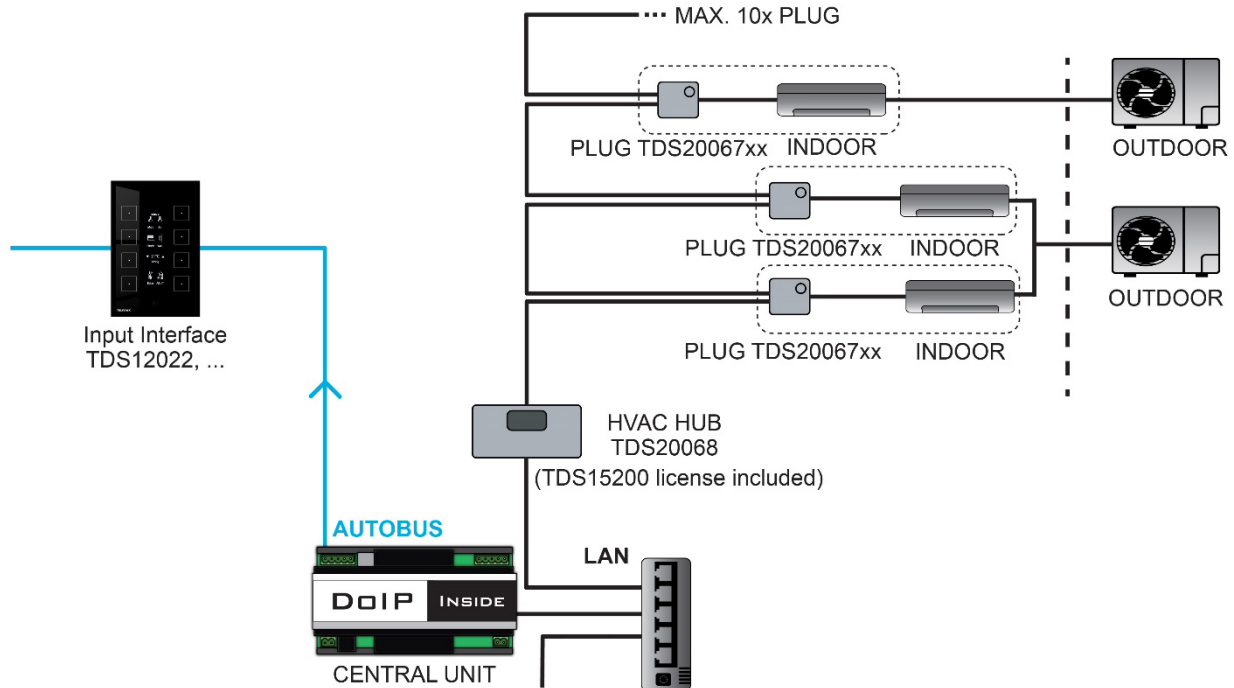
IP20

#### LIMITED WARRANTY

3 year

**SCHEMATIC DRAWING**

**SPLIT / MULTI SPLIT**



**COMPATIBILITY LIST**

Daikin	Outdoor VRF Unit Types ERLQ3 ERHQ3			Indoor VRF/VRV Unit Types ADEQS      FXDYQ      FQSP FXCQ      FXSQ      FXDp FXNQ      FXAQ      EHSX3 FXLQ      FXUQ      EHVX3 FXFQ      FXMQ      EHVA3 FXKQ      FXHQ      EHBH3 FXZQ      FXTQ      EHBX3 FXDQ      FQDP      FDYQN FXFA-A		
	Outdoor VRV Unit Types VRV 5 S-series: RXYSA			Indoor Split FDX2      FFQ1      FCQ1 CDX2      FAQ1      FHQ FTX2      FBQ1      FTQ1 FDQ1		
Fujitsu	Outdoor Split Unit Types RZR (RZR) RQ RXRY					
	Series	ARXC	ABYG			
	ASBG	ARXB	ABYF			
	ASYA	AUYG	ABYA			
	ASYG	AUYF	ARTAL			
	ASYB	AUYA	RCI			
	ASYE	AUXB	RPC			
	ARYF	AUXD	RPFI			
	ARYG	AUXA	RCD			
	ARYA					

	ARXA ARYC	AGYF AGYG	RPK RPI RPF	
Mitsubishi Electric	Indoor Split PKFY PEFY PFFY-PVKM	PLFY-P-VCM PEAD-RP PCA	PEA-RP SEZ SLZ	
Hitachi LG Gree Midea Mitsubishi Heavy Panasonic Samsung Sanyo Toshiba	Please contact your local support to confirm your model			

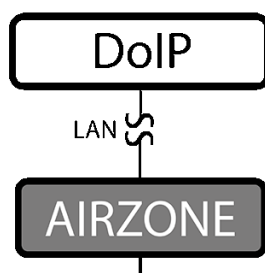
Download TDS20067xx,  
TDS20068 Plug & Hub Quick  
Installation manual from our  
website

<https://teletask.be/en/downloads/>

Or via

<https://professional.teletask.be/>





### TDS20069

### HVAC interface for Airzone duct systems

The TDS20069 is suited for controlling the Airzone HVAC units. The interface can be configured to integrate specific AIRZONE systems with a TDS installation.

The TDS20069 is supplied with a TDS15200 HVAC Software license.

#### APPLICATION

Interface for control of Airzone duct systems.

#### CHARACTERISTICS

##### General

The integration enables the end-user to control all basic HVAC functions : on/off, cool/heat mode set, temperature set, fan speed- and swing control.

In order to activate this integration with DoIP, a TDS15200 HVAC software license is needed. This license is included with the TDS20069.

##### Supported brands

Airzone

##### Functionalities

Supported functionalities (Depends on the Airzone type):

- Set temperature
- Measured room temperature
- 5 Modes: Auto,Heat,Cool,Dry,Vent
- Adjustable speed (Auto, Low, Medium, High)

##### Display

Colour LCD with touch screen for system settings.

#### SETTINGS

##### Configuration

To be configured in the PROSOFT Suite (V3.8 or higher).

##### AUTOBUS address

Not applicable. The interface is not connected to AUTOBUS but communicates with the TELETASK central unit(s) via standard LAN connection.

#### INSTALLATION

##### Mounting

The interface is compact and can be installed hidden in almost any place where it can be connected with the LAN (ethernet). We recommend to install it where you have easy access (like in the electrical board or ICT rack).

##### Supply Voltage

The TDS20069 is powered with the supplied mains adaptor.

#### CONNECTIONS

##### Supply voltage

The HVAC HUB is powered with the supplied mains adaptor.

##### LAN

Ethernet connection 100 Mps.

Must be the same LAN as the TELETASK Central Unit LAN.

#### POWER CONSUMPTION

No consumption on the TDS system (the HVAC HUB is powered by the supplied mains adaptor).

#### DIMENSIONS NET | GROSS

115 L x 65 W x 31 H (mm) | 177 L x 108 W x 52 H (mm)

#### NET | GROSS WEIGHT

0,14 kg | 0,24 kg

#### PACKAGING CONTENT

TDS20069 interface

Universal power adaptor

#### ENVIRONMENTAL CONDITIONS

##### Storage (with no condensation or icing)

Temperature: -20°C to +65°C max.

Relative humidity: 5% to 85% max.

##### Operation (with no condensation or icing)

Temperature: -10°C to +50°C max.

Relative humidity: 5% to 80% max.

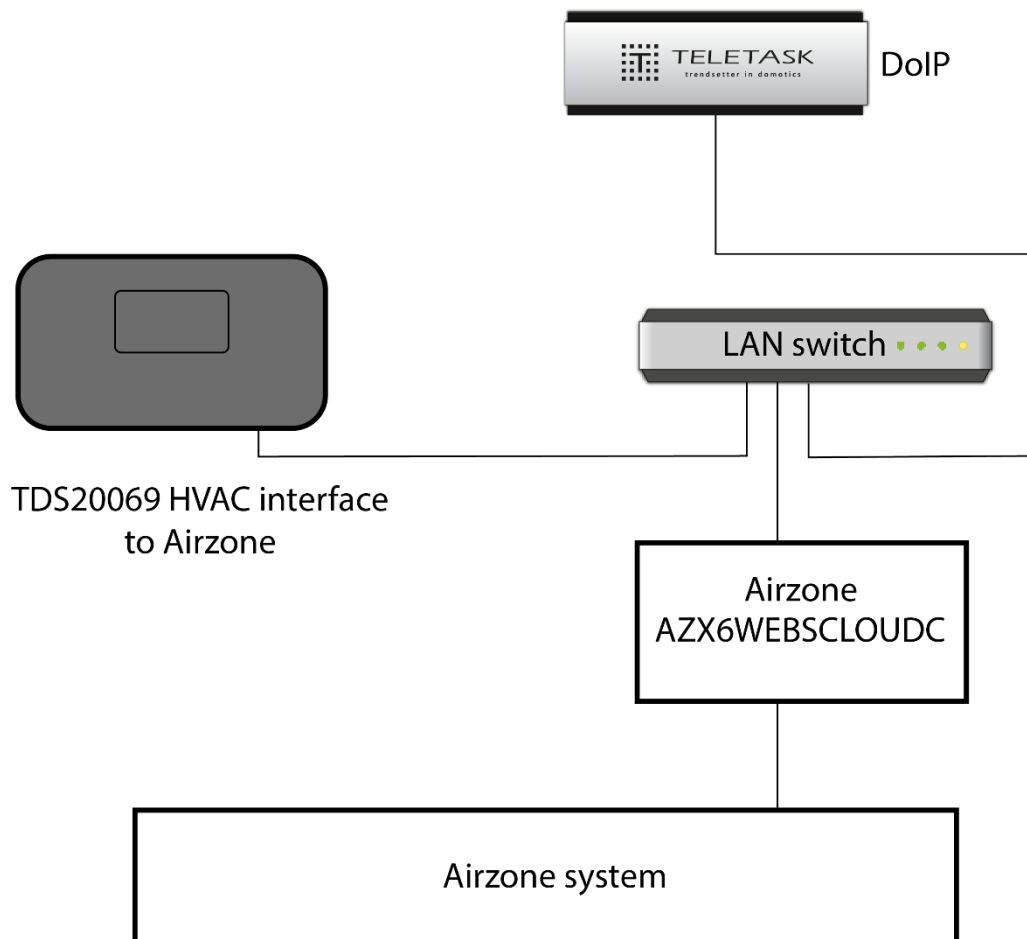
#### IP PROTECTION RATE

IP20

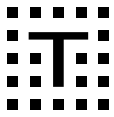
#### LIMITED WARRANTY

2 years

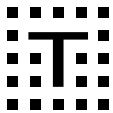
**SCHEMATIC DRAWING**







## **I. ACCESSORIES**



**TDS12075xx**

**Desktop Holder for OPUS**

The OPUS table holder is a stylish black frame made from 5mm solid aluminium. It can be placed freestanding or securely fixed on any horizontal surface. Specific OPUS applications with this holder, are on a worktable, office desk or used as a bedside panel on the bedside table. With this holder, the user can always operate his OPUS in the best conditions and with the best viewing angle.

The OPUS holder has a cable strain relief and central screw clamp to nicely conduct the thin black PoE cable to an RJ45 wall socket.

**APPLICATION**

Used to mount the TDS12070 OPUS for a desktop application.

**CHARACTERISTICS**

**Finishing:**

Mat- black anodising on brushed 5mm solid aluminium.

**INSTALLATION**

The mounting of the wall bracket is done with ther five supplied screws.

! Remark: Use metal wall plate + bracket from OPUS package for the installation.

**Freestanding:**

-Use the 4 supplied silicone dots to protect the table surface.

**Securely fixed (optional mounting):**

-Usually used in public places

-4x silicon dots are not used here

-2x holes to be drilled trough the surface (table). Distance between the holes is 100mm

-Use 2xM5 screw; length is surface thickness +3mm

-Do not overtighten the screws since thread can be damaged  
-Optional: drill- through holes and fasten through the table and the desktop holder

**DIMENSIONS**

178 W x 97 H x 168 D (mm)

**NET | GROSS WEIGHT**

0,48 kg | 0.7 kg

**PACKAGING CONTENT:**

1 x TDS12075

1 x CAT6 cable, black, 3mm diameter; length 3 meter

1 x RJ45 adapter for optional extension of the PoE connection

5 x screw M3 (flat hex head)

1x cable lock

1 x extra screw M3 for locking the OPUS and strain relief.

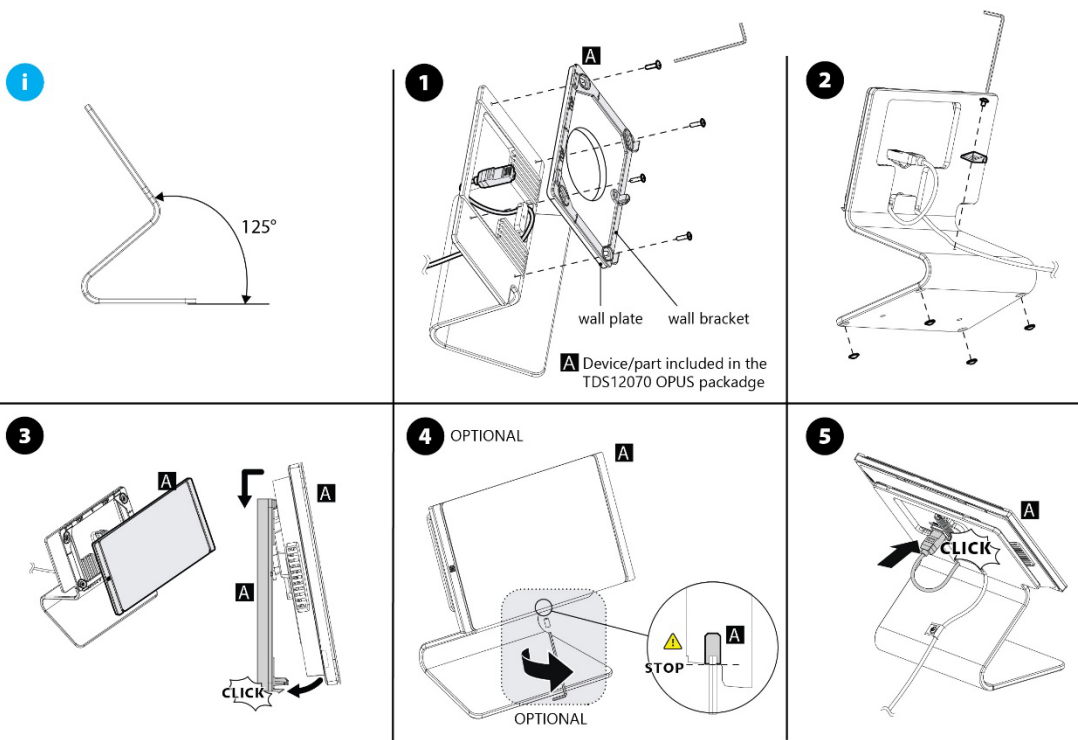
1 x 2mm hexagonal tool

4 x silicone support dot

**LIMITED WARRANTY**

4 years

**INSTALLATION INSTRUCTIONS**



**TDS20620V2**

**DALI-address configuration tool**



DALI-address configuration tool for System Integrators. With this tool you can address any of the individual connected DALI ballasts (address 0 to 63).

Can be used as a tool to configure DALI ballasts connected with the TDS13621 TELETASK DALI Interface.

**APPLICATION**

Addressing tool for DALI ballasts.

**CHARACTERISTICS**

**General**

Software addressing of DALI compatible ballasts.

**Supported operating systems**

Windows 7 / 8 / 10.

**SETTINGS**

**Configuration**

Via PROSOFT Suite 3.6.6 or higher. Address configuration via DALI-SOFT (included with PROSOFT Suite).

**INSTALLATION**

**Unit power supply**

Adaptor 24VDC 500mA.

**DALI power supply**

The device has an integrated bus power supply.

**CONNECTION**

**PC**

Micro USB

**DALI**

Plug-in screw terminal (2 wires)

**Power supply**

Power jack

**DIMENSIONS**

67 W x 29 H x 77 D (mm)

**NET | PACKED WEIGHT**

0,125 kg | 0,170 kg

**PACKAGING CONTENT**

1x TDS20620V2 tool  
1x Power adaptor 24VDC

**STORAGE**

**Temperature**

-20°C to +65°C

**Relative humidity**

15% to 85%

**IP PROTECTION RATE**

IP21

**OPERATING RANGE**

**Temperature**

From 0°C to +50°C

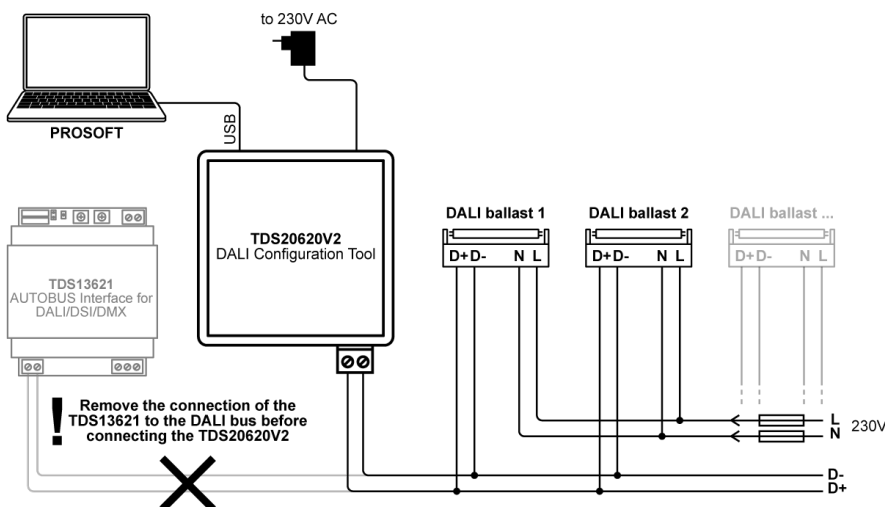
**Relative humidity**

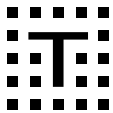
5% to 80% at 25°C (no humidity/condense)

**LIMITED WARRANTY**

2 years

**SCHEMATIC DRAWING**





**TDS20640BE**

**P1 DIGITAL METER SIMULATOR**



The P1 simulator is especially suitable for the system integrator who wants to test his PROSOFT – P1 configuration. This simulator is connected to the TDS12340BE P1 interface instead of the digital meter.

Important: The P1 port standard and the TDS12340BE smart meter interface are for Belgian and The Netherlands smart meters only.

On the other side, the simulator is connected to a Win OS PC and runs a specific TELETASK P1 simulator software. This way, the system integrator can enter a simulated consumption or injection on the PC and send it to the P1 interface. He can follow the actions taken by the TDS installation in the PROSOFT- diagnostics menu.

**APPLICATION**

Simulation of the consumption and injection measured by the digital energy meter (simulator connected to the P1 interface instead of the digital meter).

**CHARACTERISTICS**

**General**

This compact, portable, P1 simulator has a USB-A connector to the PC on one side and a RJ12 connection to the TDS12340BE interface on the other side.

**Indication LED's**

- The simulator software has an indicator, that shows communication between the PC and the P1 interface.

**SETTINGS**

**Configuration**

Simulator software to be installed on a PC with Win OS. No configuration required.

**INSTALLATION**

N/A (temporary connection between PC and P1 interface)

**CONNECTIONS**

**PC**

USB-A connector with cable 1.8 meter

**P1 connection**

RJ12 connector (cable, 3 meter, supplied with the P1 interface)

**POWER CONSUMPTION**

N/A (powered by the USB-A connection)

**DIMENSIONS**

Net: 100 L x 59 W x 23 H (mm) excluding cable  
Gross (carton box): 254 L x 160 W x 55 H (mm)

**NETTO | GROSS WEIGHT**

0,13 kg | 0,27 kg

**PACKAGING CONTENT**

TDS20640BE with USB cable 1.8 meter.  
Portable protective case with zipper.

**ENVIRONMENTAL CONDITIONS**

**Storage (with no condensation or icing)**

Temperature: 0°C to +50°C max.  
Relative humidity: 5% to 80%

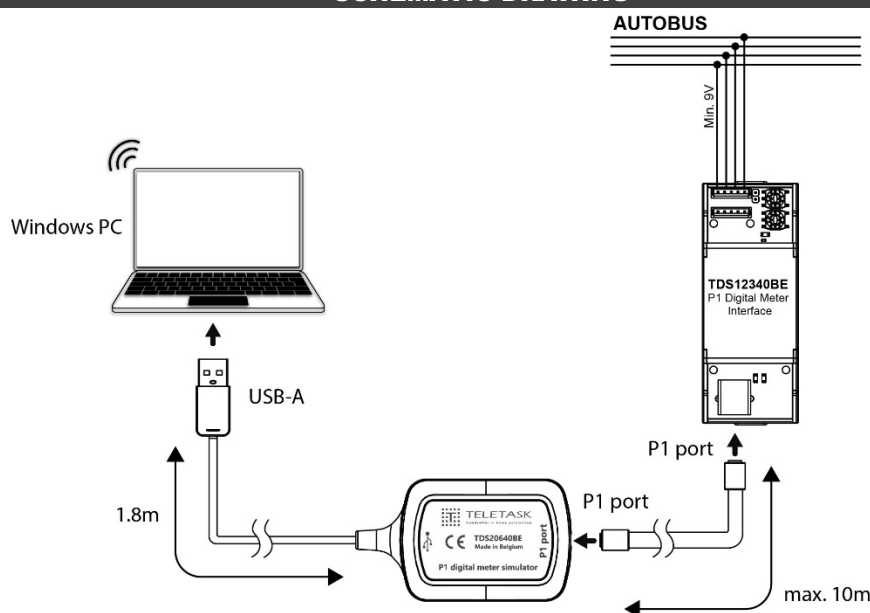
**IP PROTECTION RATE**

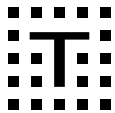
IP20

**LIMITED WARRANTY**

1 year

**SCHEMATIC DRAWING**





### TDS12503

### Mini Remote Control

The TDS12503 is a small and user friendly infra-red remote control for home automation control. The controlled functions adapt automatically according the touch panel or interface to which the infrared remote control is communicating (button 1 controls function 1 of the TELETASK interface which receives the IR code).

#### APPLICATION

To be used where remote control of the functions on a touch panel or other TELETASK interface with infrared receiver is desired.

There are more functions to be controllable on the remote control than on a touch panel or digital input interface.

To be used in combination with an IR receiver (in touch panel).

#### CHARACTERISTICS

The remote control is equipped with 8 buttons for the control of 8 functions; the controlled function depends on the TELETASK interface that receives the IR command.

If the 'TELETASK button' is pressed in combination with the 8 numeric buttons, it will control the 8 "MASTER" functions.

#### Battery

CR2025 (3V Lithium) – supplied with the unit. Compatible with CR2032

#### SETTINGS

IR functions via PROSOFT

#### POWER CONSUMPTION

Estimated battery lifetime: 1 year (no warranty on the battery)

#### DIMENSIONS

35 W x 135 H x 11 D (mm)

#### NET | GROSS WEIGHT

0,015 kg | 0,050 kg

#### PACKAGING CONTENT

TDS12503 + battery

#### ENVIRONMENTAL CONDITIONS

##### Storage (with no condensation or icing)

Temperature: -20°C to +65°C max.

Relative humidity: 5% to 85% max.

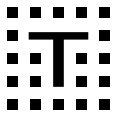
##### Operation (with no condensation or icing)

Temperature: 0°C to +50°C max.

Relative humidity: 5% to 80% max.

#### IP PROTECTION RATE

IP20



**TDS12202**

**Proximity card**



The TELETASK proximity card is a contactless access card to be used in combination with the TELETASK proximity reader TDS12142xx. The proximity card is equipped with internal electronics and antenna for wireless communication, to get access control. The card can be configured to combine the access with any other domotics function (lighting, heating, cooling, audio, etc...).

**APPLICATION**

Proximity card to be held in front of a TDS12142 proximity reader unit.

**CHARACTERISTICS**

ISO wireless proximity card.

**SETTINGS**

**Programming**

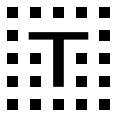
refer to the CARDSOFT user manual for more information (starting with PROSOFT V2.74).

**Erasing**

refer to the CARDSOFT user manual for more information (starting with PROSOFT V2.74).

**DIMENSIONS**

85 W x 54 H x 1mm thick (ISO standard dimensions).



**TDS12203**

**TAG key holder unit**

The TELETASK TAG key holder unit is a contactless access unit to be used in combination with the TELETASK proximity reader TDS12142xx. The TAG key holder unit is equipped with internal electronics and antenna for wireless communication, to get access control. The unit can be configured to combine the access with any other domotics function (lighting, heating, cooling, audio, etc...).

**APPLICATION**

TAG key holder unit to be held in front of a TDS12142xx proximity reader unit.

**CHARACTERISTICS**

ISO wireless proximity TAG.

**SETTINGS**

**Programming:**

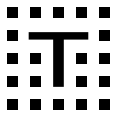
refer to the CARDSOFT user manual for more information (starting with PROSOFT V2.74).

**Erasing:**

refer to the CARDSOFT user manual for more information (starting with PROSOFT V2.74).

**DIMENSIONS**

39 W x 34 H x 6.5mm Thick + stainless steel key ring.



**TDS14043**

**IR-flasher**

Optional IR-Flasher to be used in combination with TDS14065 learnable IR audio interface.



**APPLICATION**

The IR-Flasher is used to send the regenerated IR codes coming from the learnable IR audio interface to the receiver of the controlled audio component.

**CHARACTERISTICS**

IR-flasher to send IR signals of 36-38 kHz.

**INSTALLATION**

The IR-flasher is stucked in front of the IR receiver of the controlled audio component by means of a pre mounted self adhesive tape.  
(The IR-flasher cable is extendable up to max. 75m using a shielded cable)

**CONNECTIONS**

TDS14065  
Through mini jack 3,5mm

**DIMENSIONS**

**IR-flasher**  
14 W x 8 H x 6.5 D (mm)

**Cable**

Standard cable length 3m, extendable up to max 75m using a shielded cable (0.34mm<sup>2</sup> when longer than 10m).

**GROSS WEIGHT**

0,050 kg

**PACKAGING CONTENT**

TDS14043

**STORAGE**

**Temperature**

-20°C to +65°C

**Relative humidity**

15% to 85%

**IP PROTECTION RATE**

IP20

**OPERATING RANGE**

**Temperature**

0°C to +50°C max.

**Relative humidity**

5% to 80% at 25°C (non-condensing ambient)

**SCHEMATIC DRAWING**





**TDS56409G3**

**DOMUS Demo case**

This portable demo case is intended to be used for:

- Practicing the configuration of a TELETASK System.
- Basic training about cabling and connecting.
- Commercial demo of lighting (switch/dim), wall sockets, sun blinds, heating/cooling, scenes, etc... including wireless GUI's (ATMOS and GUI+) on PC, tablet & smartphone. Optional very useful for voice control demo (voice control unit not included).
- Exercises and demo of the integration of IP camera's on the GUI's
- Built-in Wi-Fi / 4G router + IP-camera.

The 4G option of the router can be provided with a SIM card (not included) in the absence of a wired internet connection. The case contains a graphical demo house with buttons, LED's, DOMUS central unit, AURUS-OLED, AURUS-2 SENSE, remote control, ... The mains cord is the only connection you have to make for a complete PROSOFT and GUI demo.

**APPLICATION**

Training, demo, programming practice.

**CHARACTERISTICS**

**Mechanical**

Ruggedized case with DOMUS central unit and AURUS panels.

**Electrical**

Plug-in connector for 100-240VAC power cord.

**Content**

TDS10309	DOMUS Central Unit
TDS10132	AUTOBUS Power supply
TDS12022BL	AURUS-OLED
TDS12025BL	AURUS-2 SENSE
TDS12503	IR Remote control
TSF16103	3 years ATMOS Subscription
TDS15105	GUI+ License
TDS15240	A/V License
(4G) WiFi Router (SIM-card not included)	
IP-camera	

**INSTALLATION**

Carry case – Ready to use.

**CONNECTIONS**

**Electrical**

Plug-in connector for 110/230V power supply cord.

**LAN**

(4G) WIFI router on board.

**DIMENSIONS**

600 x 400 x 223 mm

**NET | GROSS WEIGHT**

8,1 | 8,4 kg

**STORAGE**

**Temperature**

-20°C to +65°C

**Relative humidity**

15% to 85%

**IP PROTECTION RATE**

IP20

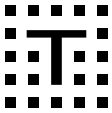
**OPERATING RANGE**

**Temperature**

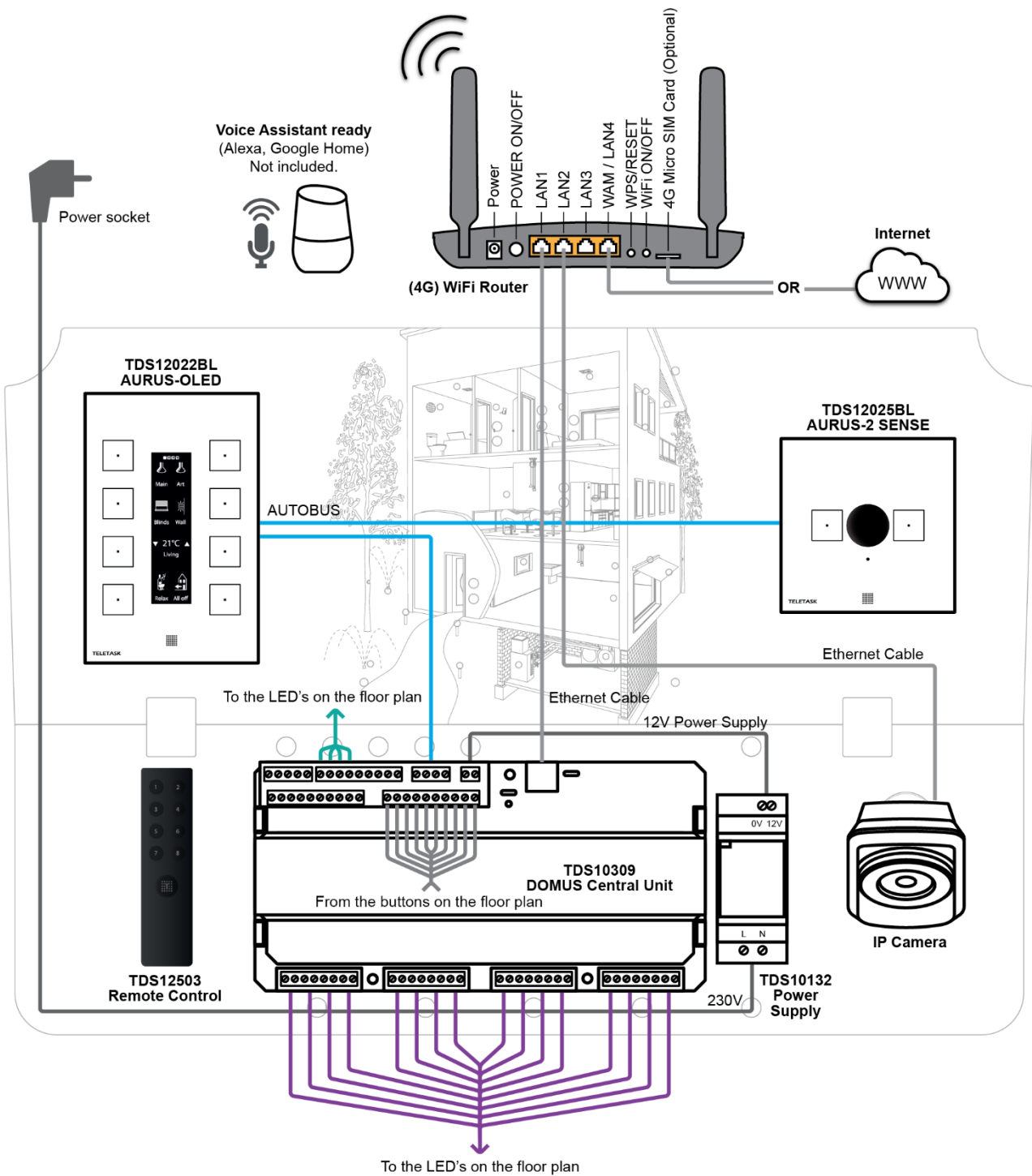
0°C to +50°C max.

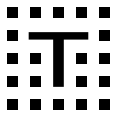
**Relative humidity**

5% to 80% at 25°C (non-condensing ambient)



**SCHEMATIC DRAWING**





**TDS90030**

**Flush mounting for AURUS 9x14cm**

Mount the AURUS-4XL, AURUS-OLED or AURUS-TFT flat into your walls. This Flush Plaster Box can be used to give a beautiful finish to the AURUS family. It is aesthetic (the touch panel is nicely integrated in the wall) and it gives an extra protection against theft in public areas. For plaster board (hollow wall) mounting an extra TDS90031 Alu-frame is needed (plaster box + alu Frame).

An instruction Video is available on YouTube (“TDS90030 flush mounting video”) showing the installation of the Flush Plaster Box (all phases included). Thanks to the supplied suction pad, the touch panels/screens are removable. Of course, NEVER use a screw driver to remove a touch panel!

**APPLICATION**

Flush mounting for AURUS-4XL, AURUS-OLED or AURUS-TFT.

Theft protection.

! Rem.: Normal operation of the temperature sensor will be disturbed with flush mounting.

**INSTALLATION**

**AURUS-4XL, AURUS-OLED, AURUS-TFT**

Use Flush mounting box TDS90030 for flat mounting. For hollow walls this has to be combined with TDS90031.

Dimensions to be foreseen in the wall (W x H x D):

- Solid wall: 194 x 244 x 40(\*)mm
- Hollow wall: 160 x 210 x 42(\*)mm

\* Foresee enough depth to allow the AUTOBUS cables coming from the back.

**DIMENSIONS**

150 W x 200 H x 40 D (mm)

**NET | GROSS WEIGHT**

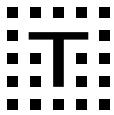
0,850 kg | 1,000 kg

**PACKAGING CONTENT**

TDS90030 Plaster block

Suction cup for AURUS removal

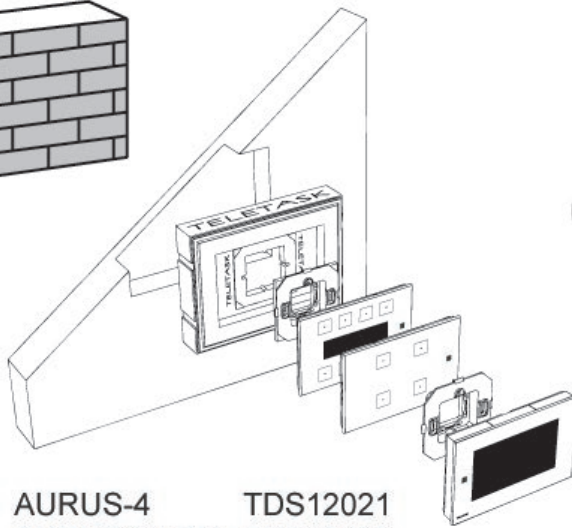
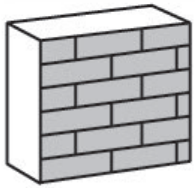
Aluminium adaptor plate (for AURUS-4, AURUS-OLED)



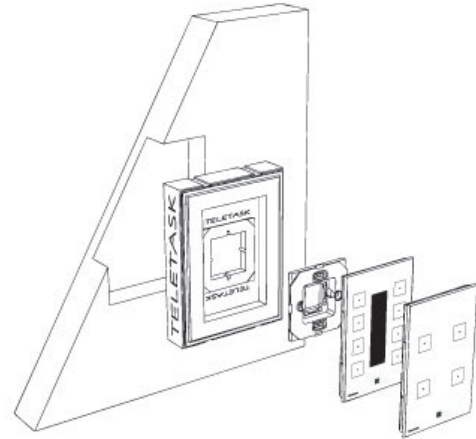
**SCHEMATIC DRAWING**

**INSTALLATION IN A  
SOLID WALL**

**TDS90030**



OR

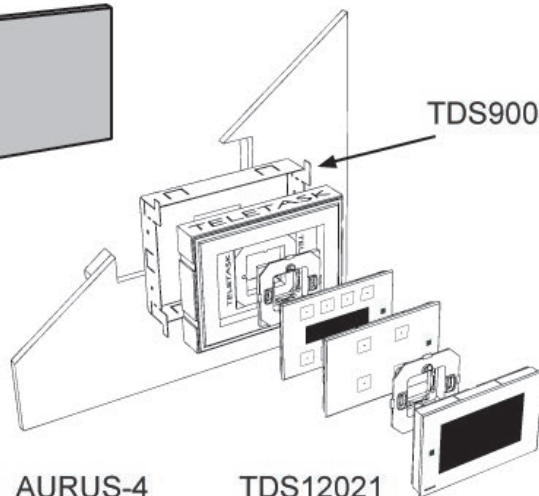
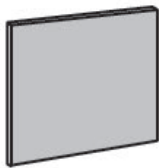


AURUS-4      TDS12021  
AURUS-OLED    TDS12022  
AURUS-TFT    TDS12064

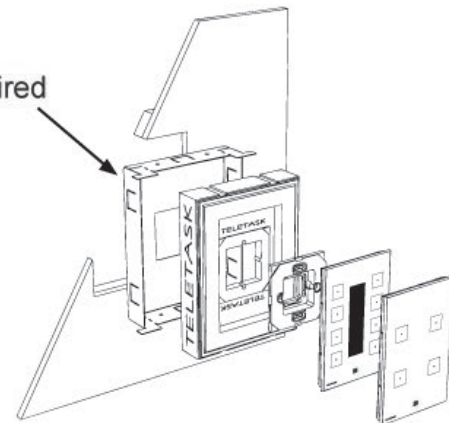
AURUS-4      TDS12021  
AURUS-OLED    TDS12022

**INSTALLATION IN A  
HOLLOW WALL**

**TDS90030**

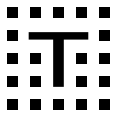


TDS90031 is required



AURUS-4      TDS12021  
AURUS-OLED    TDS12022  
AURUS-TFT    TDS12064

AURUS-4      TDS12021  
AURUS-OLED    TDS12022



**TDS90032**

**Flush mounting for AURUS 9x9cm**

Mount the AURUS-1, AURUS-2, AURUS-2 SENSE, AURUS-4S or AURUS-4 TEMP flat into your walls. This Flush Plaster Box can be used to give a beautiful finish to the AURUS panels. It is aesthetic (the touch panel is nicely integrated in the wall) and it gives an extra protection against theft in public areas. For plaster board (hollow wall) mounting an extra TDS90031 Alu-frame is needed (plaster box + alu Frame).

An instruction Video is available on YouTube (“TDS90030 flush mounting video”) showing the installation of the Flush Plaster Box (all phases included). Thanks to the supplied suction pad, the touch panels/screens are removable. Of course, NEVER use a screw driver to remove a touch panel!

**APPLICATION**

Flush mounting for AURUS-1, AURUS-2, AURUS-2 SENSE, AURUS-4S or AURUS-4 TEMP.  
Theft protection.

! Rem.: Normal operation of the temperature sensor will be disturbed with flush mounting.

**INSTALLATION**

**AURUS-1, AURUS-2, AURUS-2 SENSE, AURUS-4S or AURUS-4 TEMP**

Use Flush mounting box TDS90032 for flat mounting. For hollow walls this has to be combined with TDS90031.  
Dimensions to be foreseen in the wall (W x H x D):  
Solid wall: 194 x 244 x 40(\*)mm  
Hollow wall: 160 x 210 x 42(\*)mm

\* Foresee enough depth to allow the AUTOBUS cables coming from the back.

**DIMENSIONS**

150 W x 200 H x 40 D (mm)

**NET | GROSS WEIGHT**

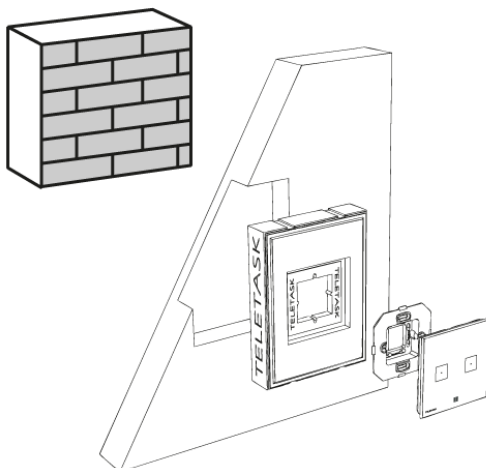
0,800 kg | 0,950 kg

**PACKAGING CONTENT**

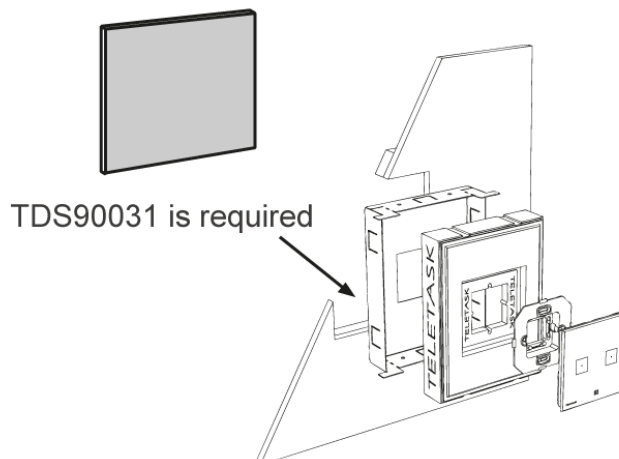
TDS90032 Plaster block  
Suction cup for AURUS removal

**SCHEMATIC DRAWING**

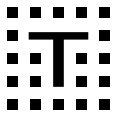
**INSTALLATION IN A SOLID WALL**



**INSTALLATION IN A HOLLOW WALL**



**TDS90032**



**TDS90035**

**On-wall box for AURUS family**

The AURUS on-wall box TDS90035 is to be used for on-wall mounting of the AURUS-family interfaces. In case you have a concrete, marble, etc... wall where you can't (or you are not allowed) to put a standard in-wall box or a flush- wall box, the TDS90035 will offer you the proper design solution.

This plastic wall box has an anthracite (dark- grey) colour, similar to the back of the AURUS.

**APPLICATION**

Box for on-wall mounting of AURUS family

**INSTALLATION**

**AURUS family**

On-wall mounting of AURUS family members.

The TELETASK wall bracket (supplied with the AURUS unit) is to be mounted inside the TDS90035. Follow the instructions.

You can connect your AURUS unit with the AUTOBUS (and optional Ethernet cable for AURUS-TFT) in different ways.

Cable(s) can enter from the back (if behind the wall). But if the cable(s) are fed through on-wall conduit(s), break-out holes are provided for up to two cable glands (included with the package).

**DIMENSIONS**

86 W x 86 H x 36 D (mm)

**NET | GROSS WEIGHT**

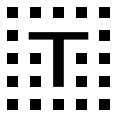
0,055 kg | 0,200 kg

**PACKAGING CONTENT**

TDS90035 On-wall box

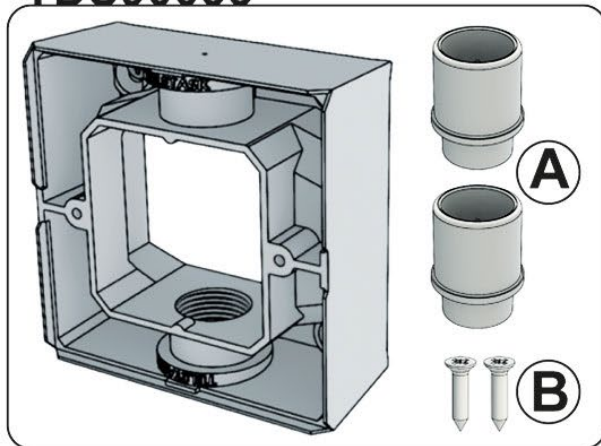
2x cable glands

2x self-tapping screws



**SCHEMATIC DRAWING**

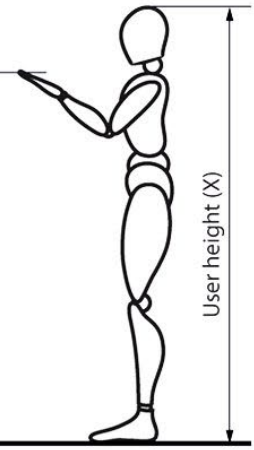
**TDS90035**



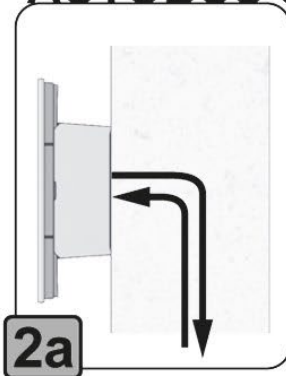
**1**

X	H
195 < X < 205	175
185 < X < 195	165
175 < X < 185	155
165 < X < 175	145
155 < X < 165	135
145 < X < 155	125
135 < X < 145	115
125 < X < 135	105
115 < X < 125	90

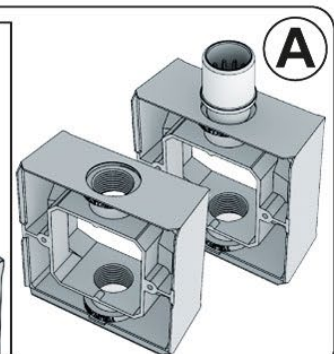
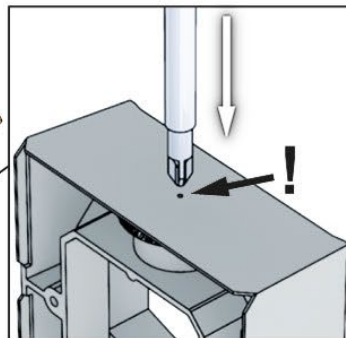
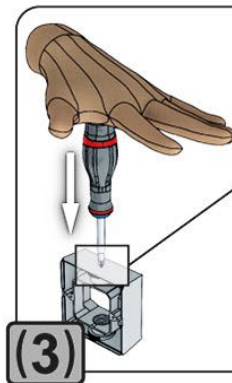
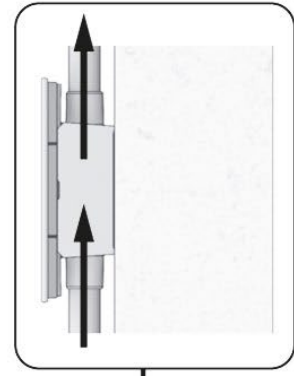
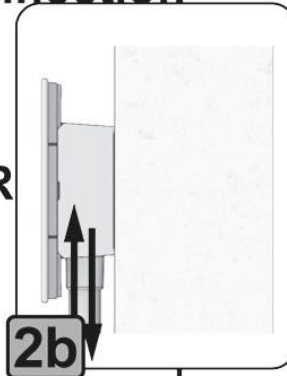
AURUS centre height (H)



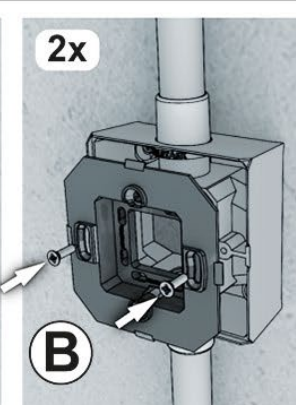
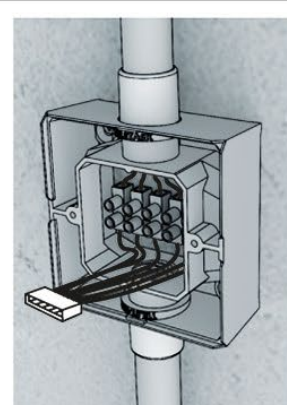
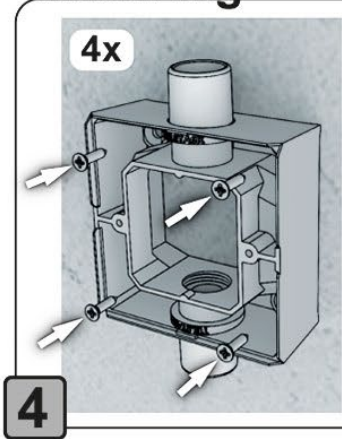
**AUTOBUS connection**



OR



**Mounting**





**TDS90037**

**Sealed on-wall box for AURUS family**

Sealed on-wall wall box for mounting on flat walls with transparent door. Suited for mounting of AURUS touch panels in a covered application. Can be mounted both horizontally and vertically. The door can be closed by hand. Two options are available to open the on-wall box: with or without a tool (flat screwdriver). Both options are included in the packaging.

**APPLICATION**

Is to be used as a preventive action to discourage unauthorized use of the touch panel and to protect against dust, waterdrops, water sprays, .... For indoor use only. The use of a lock is not possible.

**CHARACTERISTICS**

**General**

- Transparent cover
- Pre-configured mounting for AURUS touch panels
- High impact strength: IK08
- Hinged cover can be opened by hand / by tool
- Dust and water tight
- Self-extinguishing: UL 94 V0 rated

**Compatibility for use with:**

- TDS12019
- TDS12020
- TDS12021
- TDS12022
- TDS12024
- TDS12026
- TDS12064

**INSTALLATION**

**Mounting**

4 mounting holes are provided outside of the sealed zone for screws. Installation height depending on the purpose. Displays must be installed at eye level. Can be installed in a vertical (recommended except for AURUS-TFT) or horizontal position.

**Cabling**

Use the proper cable glands (IP66) for every cable.

**Important installation remarks**

- ! Provide the correct cable glands (not supplied with this unit) to guarantee the desired sealing level (max. IP66).
- ! For indoor use only
- ! Temperature measurement with the built-in AURUS touch panel sensors, will be disrupted.
- ! Be aware that the AURUS touch panels are not water or frost resistant.

**DIMENSIONS**

125 W x 190 H x 73 D (mm)

**NET | GROSS WEIGHT**

0,350 kg | 0,450 kg

**PACKAGING CONTENT**

TDS90037 on-wall box  
AURUS wall bracket with mounting support (pre-installed)  
2x hinge sets (one for hand opening, one for tool opening). Only one can be used.

**ENVIRONMENTAL CONDITIONS**

**Storage (no condensation or icing)**

Temperature: -20°C to +65°C max.  
Relative humidity: 5% to 85% max.

**Operation (no condensation or icing)**

Temperature: 0°C to +50°C max.  
Relative humidity: 5% to 80% max.

**IP PROTECTION RATE**

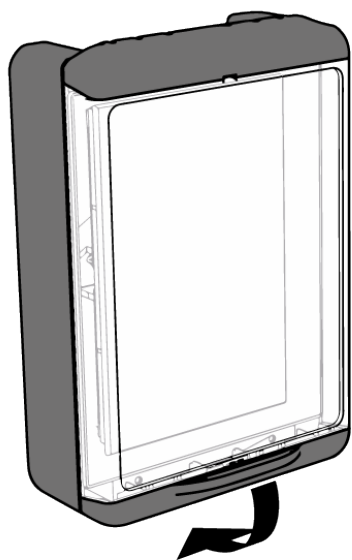
IP66 (depending of the used cable glands)



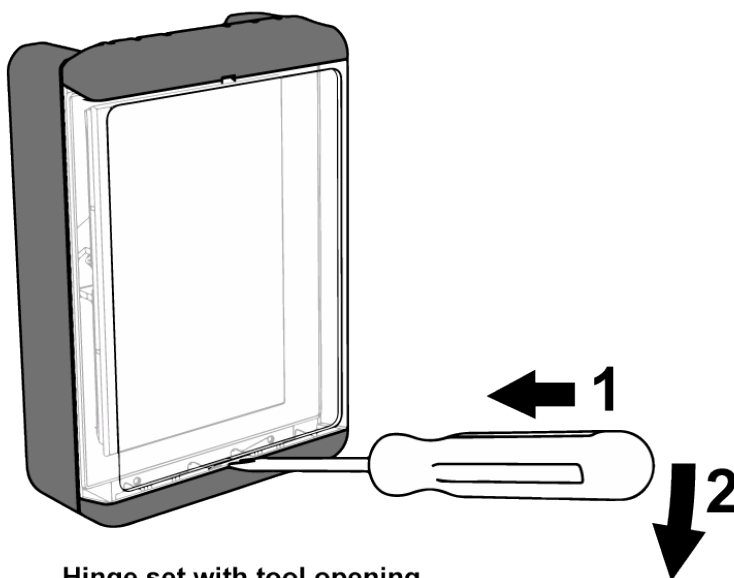


**SCHEMATIC DRAWING**

**HOW TO OPEN**



Hinge set with manual opening



Hinge set with tool opening

**TDS90460xx**

**Ceiling fixture for SIRIUS**



This premium aluminium ceiling fixture, is supplied in a package containing two pieces. The fixture is available in two colours, white and black: version “WH” and “BL”. The fixture is coated in a textured matte coating and fits perfectly for the TELETASK SIRIUS motion sensor for indoor projects where an ‘on wall/ceiling’ solution is required. This mount contains everything to be used as a GU10 LED fixture for those who are looking for a more homogeneous look of their interior if similar light (LED) housings are used. The holder can rotate 360° and tilt up to 45° for the fine adjustment of the SIRIUS sensor. For even more convenience there is a removable cap that provides more possibilities for easy installation. SIRIUS is not included.

**APPLICATION**

Indoor application to mount the GU10 compatible SIRIUS motion sensor TDS12150xx from TELETASK. Suited for applications where a ‘built in’ solution is not possible or for applications where the motion sensor must be adjusted under an angle of up to 45°.

**General**

Premium aluminium fixture coated in a matte textured coating:

- White: TDS90460WH is RAL9016
- Black: TDS90460BL is RAL9005

**INSTALLATION**

**Ceiling/wall:**

1. Unscrew the circular mounting plate and install it on the desired ceiling position with the supplied 3 screws.
2. Remove the, spring plugged-in rotatable head by pulling it out of the fixture housing.
3. Remove the standard GU10 LED wires and spring (the fixture is only to be used for SIRIUS sensors).
4. Connect the AUTOBUS connector
5. Plug the SIRIUS motion sensor in the rotatable head.
6. Click the rotatable head in place and position.

**Important installation remarks**

- ! Indoor use only
- ! All operations must be performed with power disconnected.
- ! Read the instructions before installation.
- ! Follow the safety standards from the local authorities to be compliant with all regulations.

**CONNECTIONS**

**AUTOBUS**

AUTOBUS connector (supplied with the SIRIUS sensor)

**MAX POWER**

N/A (see SIRIUS data sheet)

**DIMENSIONS**

∅ 85 x 115 H (mm)

**NET | GROSS WEIGHT**

0.520 kg | 0.630 kg

**PACKAGING CONTENT**

2 x TDS90460WH or 2 x TDS90460BL  
3 screws + 3 solid wall plugs

**ENVIRONMENTAL CONDITIONS**

**Storage (with no condensation or icing)**

Temperature: -20°C to +65°C max.  
Relative humidity: 5% to 85% max.

**Operation (with no condensation or icing)**

Temperature: 0°C to +50°C max.  
Relative humidity: 5% to 80% max.

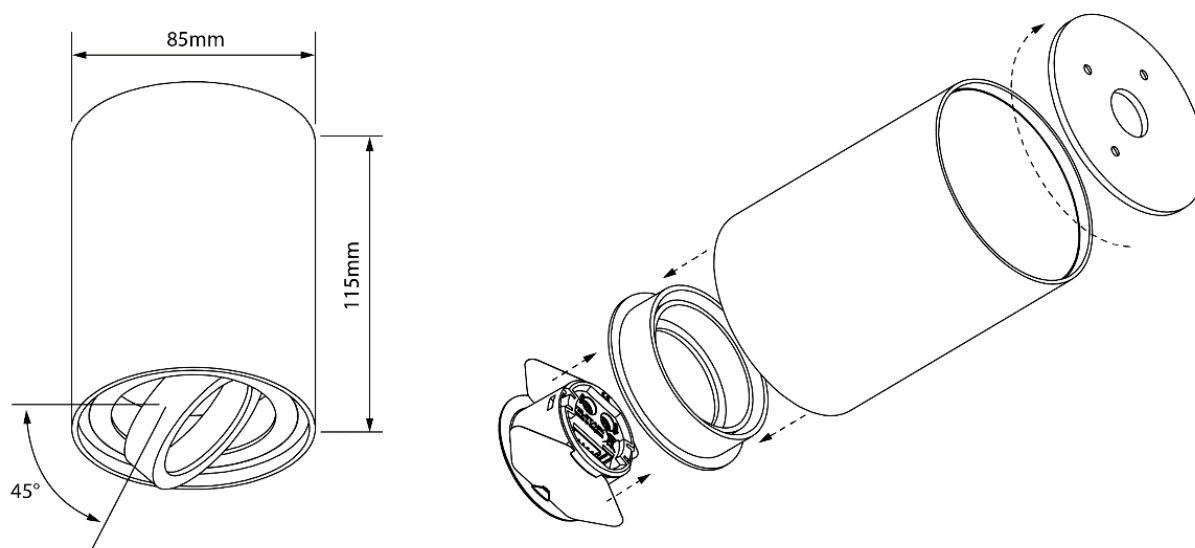
**IP PROTECTION RATE**

IP20

**LIMITED WARRANTY**

1 year

**SCHEMATIC DRAWING**





**TDS99019**

**PICOS Starter kit [EOL]**

Take your first steps into the world of TELETASK home automation. Use this kit to discover our brand and create your first installation. Get started now, everything you need is right here.

The configuration possibilities are endless: turn on the driveway lights at night when someone leaves the home, set a party mood with one button which dims the lights, turns on the music and activates the AC. With the included mobile app license you can control everything from your smart phone and tablet. Or add a voice assistant and Voice Control subscription (not included) and control the dining room LED's, etc... with your voice. Use the online training platform TT School ([www.professional.teletask.be](http://www.professional.teletask.be); English language) or contact your local TELETASK distributor to guide you through the learning process.

**APPLICATION**

Training and programming practice

**CHARACTERISTICS**

**Content**

- PICOS Central unit - TDS10009
- Power Supply - TDS10132
- AURUS-OLED Black - TDS12022BL
- IR Remote Control - TDS12503
- 1m AUTOBUS Cable
- TELETASK App iSGUI License - TDS15101

**INSTALLATION**

See drawing.

**DIMENSIONS**

545 W x 420 H x 80 D (mm)

**NET | GROSS WEIGHT**

2.44 kg | 3.36 kg

**ENVIRONMENTAL CONDITIONS**

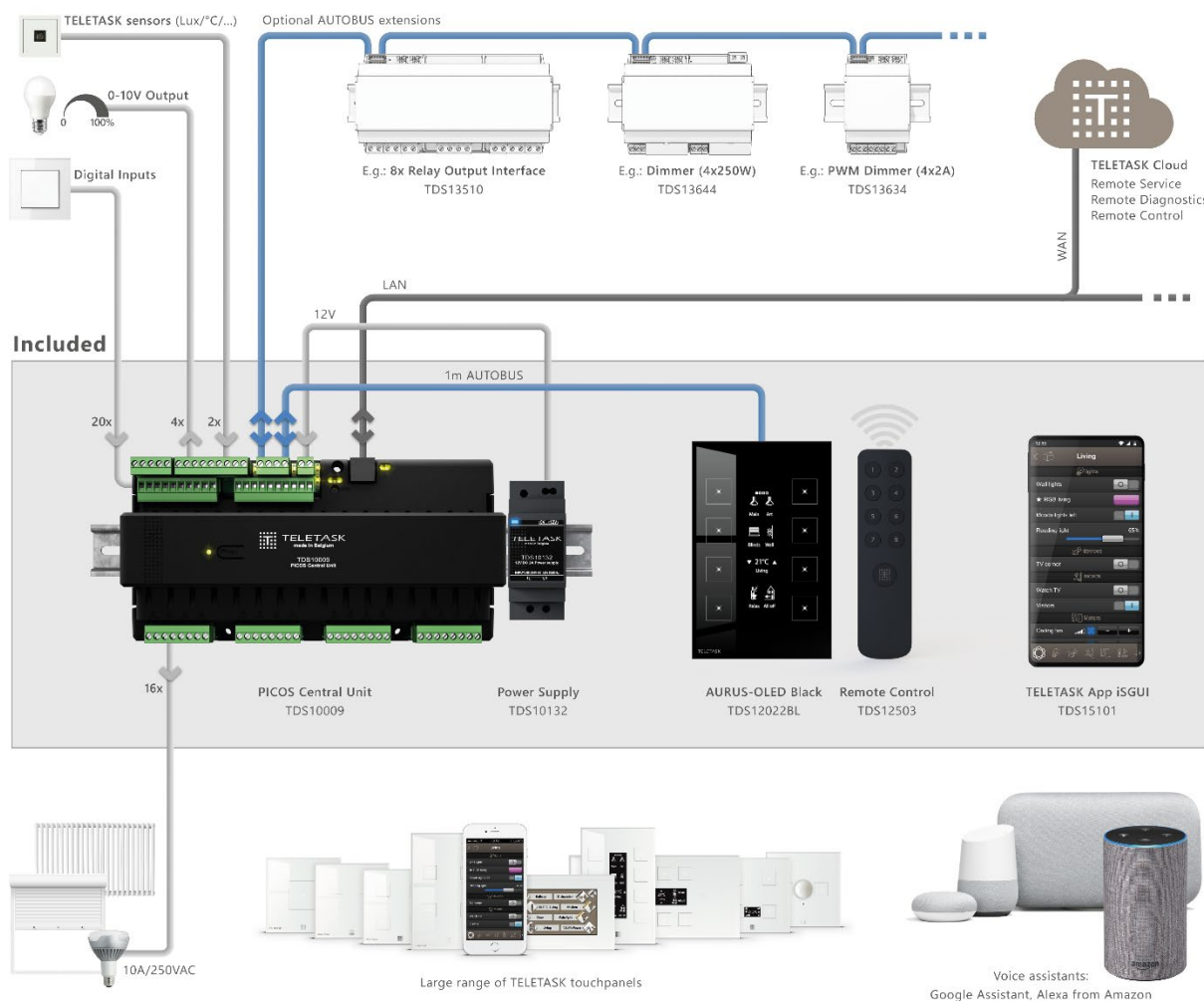
**Storage (with no condensation or icing)**

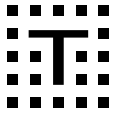
Temperature: -20°C to +65°C max.  
Relative humidity: 5% to 85% max.

**Operation (with no condensation or icing)**

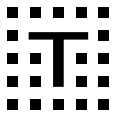
Temperature: 0°C to +50°C max.  
Relative humidity: 5% to 80% max.

**SCHEMATIC DRAWING**





## **J. AUTOBUS**



**TDS90004 - TDS90009 - TDS90304 AUTOBUS network cable 2+2**

The TELETASK AUTOBUS cable is used to connect all the TELETASK interfaces and the central unit with each other. The interfaces are connected according to a bus topology. The AUTOBUS runs from one interface to the next interface. This AUTOBUS cable has not only fire retarding but is also 'low smoke fume' (LSF).

**APPLICATION**

The TELETASK AUTOBUS 2+2 cable is LSF (LOW SMOKE AND FUME POLYVINYL-CHLORIDE) and is used to connect all the TELETASK interfaces and the central unit with each other.

**CHARACTERISTICS**

**AUTOBUS**

The TELETASK AUTOBUS is a bi-directional high speed bus. When you press a button (closing a contact), the corresponding interface immediately transmits the command (including error detection and correction information) via the AUTOBUS cable to the central unit. The central unit answers to this command with a confirmation to the transmitting interface. If this is not the case, the interface will retransmit his command.

The cable is compliant with the EN 50575. Euroclass fire behavior according to EN 13501-6: **Eca** (see attachment). This AUTOBUS cable has not only fire retarding but is also 'low smoke fume' (LSF). The specifications of the used compound are compliant with:

- CPR: Eca
- EN 50 086-2-2
- CEI 20-11 M1
- CEI 20-22 II
- VDE 0207 Part t24, type HM2
- VDE 0250 Part 215, type HM5
- HD 21-14 S1, type TI6.
- UL94-V0
- IEC 60332-3
- IEC 60695-11-10
- IEC 332.3

**Mechanical**

Colour: blue.

Max. cable length: 1km.

The AUTOBUS cable consists of four copper conductors: 2 x 0.25 mm<sup>2</sup> (data transmission) + 2 x 1.00 mm<sup>2</sup> (power supply)..

**Electrical**

High speed bus cable with speeds up to 1 Megabit.

Insulation voltage (at 20°C):

Of the covering blue sheath: 3000V (test)

Operating voltage:

Of the red and black wire (1mm<sup>2</sup>): 12V

**INSTALLATION**

**Qualification**

Only qualified electrical contractors, who have the necessary training and knowledge of the electrical and electromagnetic regulations concerning the safety of the end-user, are allowed to install the TELETASK products.

The AUTOBUS cable must be protected against mechanical influences, especially during the building process. A non conductive tube is recommended. If used inside a cable tray, a minimum distance of 6 cm between AUTOBUS and power cables must be respected.

The AUTOBUS connection is fourfold:

- the +12V connection (thick red wire)
- the 0V connection (ground) - (thick black wire)
- communication wire 'A' (thin blue wire)
- communication wire 'B' (thin white wire)

! Remark: The AUTOBUS cable is to be wired in bus configuration. (each device after another)

! Remark: The central unit is also a node on the bus, to increase the power level on the interfaces, place the central unit somewhere in the middle of the bus (you can start with two cables at every AUTOBUS connection which is available on your central unit or on the AUTOBUS extension unit TDS10212).

**Terminating the AUTOBUS.**

In order to eliminate reflections on the bus cable, it is necessary to terminate the AUTOBUS by means of a terminating resistor. The resistor is to be connected at each far end of the AUTOBUS cable at the last interface. This is done by setting a jumper (AUTOBUS terminating resistor), which is supplied with every AUTOBUS connector set.

By default, there are no terminating resistors activated.

**CONNECTIONS**

**Central Unit**

Use the AUTOBUS plug-in connector on the TELETASK central unit.

**Interfaces**

Use the special AUTOBUS connector set, delivered with every TELETASK interface. The colours correspond with the wires of the AUTOBUS connector set.

! !!! Star topology cabling is NOT allowed.

**DIMENSIONS**

**Diameter:**

6,5 Ø mm +/- 0.2 mm

**Length:**

TDS90004: Reels of 100 m

TDS90009: Reels of 50 m

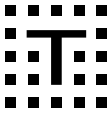
TDS90304: Reels of 300 m

**Packaging:**

TDS90004: 33 x 33 x 9 cm

TDS90009: 25 Ø x 8 cm

TDS90304: 34,5 x 34,5 x 22 cm



**NET | GROSS WEIGHT**

TDS90004: 6,66 kg | 6,72 kg  
 TDS90009: 3,33 kg | 3,33 kg  
 TDS90304: 20,46 kg | 20,50 kg

**OPERATING RANGE**

**Temperature**  
 -25°C to +80°C max.

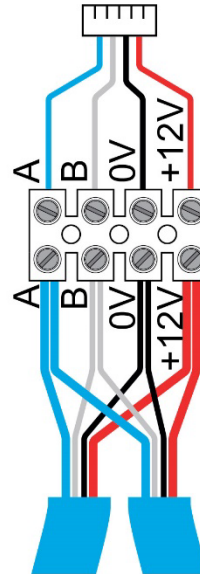
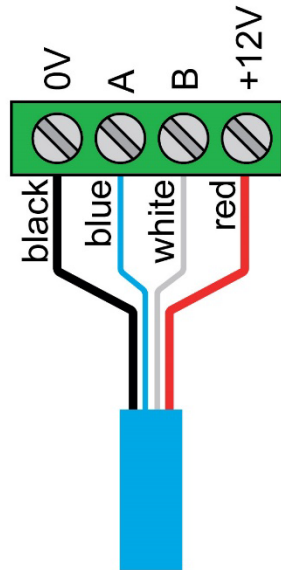
**STORAGE**

**Temperature**  
 -20°C to +65°C

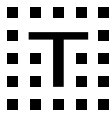
**Relative humidity**  
 15% to 85%

**SCHEMATIC DRAWING**

AUTOBUS connection  
on the Central Unit



mini connector to connect  
the AUTOBUS to a TELETASK  
input or output interface  
(Supplied with every interface)



**Siège social et site de Liège :**  
Rue du Chéra, 200  
B-4000 Liège  
Tél : +32(0)4.229.83.11  
Fax : +32(0)4.252.46.65  
Site web : <http://www.issep.be>

**Site de Colfontaine :**  
Zoning A. Schweitzer  
Rue de la Platinerie  
B-7340 Colfontaine  
Tél : +32(0)65.61.08.11  
Fax : +32(0)65.61.08.08

**NOTIFIED BODY**  
**Nr 2659**



Liège, 29<sup>st</sup> September, 2021.

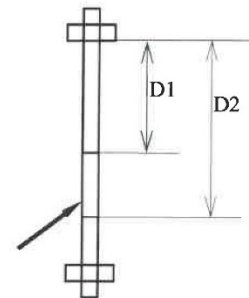
## TEST REPORT

Nr 2191-1/2021

<b>EN 60332-1-2</b> <b>Nov. 2004</b>	<b>TESTS ON ELECTRIC AND OPTICAL FIBRE CABLES</b> <b>UNDER FIRE CONDITIONS</b>
<b>A11 Aug. 2016</b>	<b>Part 1-2: Test for vertical flame propagation for a single insulated wire or cable - Procedure for 1 kW pre-mixed flame</b>

- Test applied by: Mr J Vander Beken for TELETASK BV, Ottergemsesteenweg Zuid 729, 9000 Gent, Belgium.
- Type of cable (\*: information given by the sponsor):  
ISSEP nr: LF 794  
\*Reference: AUTOBUS 2+2  
Cable marking: \*\* ### m.\*\* TELETASK CE AUTOBUS 2+2  
Diameter: ~ 6.5 mm.  
Colour of the outer sheath: blue  
Date of samples reception: 21<sup>st</sup> September 2021.  
The product is defined as a control cable according to EN 50575.
- Sampling: not carried out by the laboratory.
- Procedure: see §. 5 of IEC 60332-1-2 standard.
- Date of the test: 23<sup>rd</sup> September 2021.
- Results:

Test nr : CVU 2926  
Duration of flame application: 60 s  
Time to ignition: 1 s  
After flame duration: 2 s  
Distance D1: 41 cm  
Distance D2: 49.5 cm



7. Classification:

**Cable described in 2 meets the requirements of annex A of EN 60332-1-2.**

I. Dyakov,  
Test Executive



Wallonie

Remarks : - This test report testifies only to the performances of the object actually tested, and does not presume of performance of similar object;  
- This report can only be reproduced in full, except with the laboratory's agreement.

Page 1/1



Siège social et site de Liège :  
Rue du Chéra, 200  
B-4000 Liège  
Tél : +32(0)4.229.83.11  
Fax : +32(0)4.252.46.65  
Site web : <http://www.issep.be>

Site de Colfontaine :  
Zoning A. Schweitzer  
Rue de la Platinerie  
B-7340 Colfontaine  
Tél : +32(0)65.61.08.11  
Fax : +32(0)65.61.08.08

**NOTIFIED BODY**  
**Nr 2659**



**Reaction to fire classification  
in accordance with EN 13501-6 : 2018**

**A.1. Introduction :**

This classification report defines the classification assigned to the cable with reference cable is AUTOBUS 2+2 in accordance with the procedures given in EN 13501-6 : 2018 standard.

Sponsor	TELETASK BV, Ottergemsesteenweg Zuid 729, 9000 Gent, Belgium.
Prepared by	ISSEP, rue du Chera, 200, 4000 Liège, Belgique
Notified Body N°	2659
Product name	AUTOBUS 2+2
Classification report N°	2191-2/2021
Issue N°	1
Issue date	29. 09. 2021

**A.2. Details of classified product**

A.2.1. General

The product cable AUTOBUS 2+2 is defined as a communication cable in accordance with EN 50575 standard.

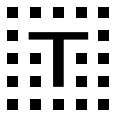
A.2.2. Product description

Product description	Multiple conductor, communication cable
ISSEP N° (tested cables):	LF 794
Color:	blue
Diameters of tested cables:	6.5 mm
Sampling, not carried out by the ISSEP	-




The classification report consists of 3 pages and may only be used or reproduced in its entirety.  
Report n°2191-2/2021, page 1/3





**NOTIFIED BODY**  
**Nr 2659**

**A.3. Reports and results in support of this classification**



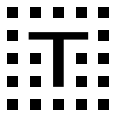
**A.3.1. Test reports**

Name of laboratory	Name of test sponsor	Test reports N°	Test method
ISSEP	TELETASK BV	2191-1/2021	EN 60332-1-2

**A.3.2. Results**

Test method	Test N°	Parameter	N° test runs	Results	
				Continuous parameter-mean m / result	Compliance with parameters
EN 60332-1-2	CVU 2926	Flame spread H	1	85 mm	compliant

The classification report consists of 3 pages and may only be used or reproduced in its entirety.  
report n°2191-2/2021, page 2/3



**NOTIFIED BODY**  
**Nr 2659**



**A.4. Classification and field of application**

**A.4.1. Reference of classification**

This classification has been carried out in accordance with EN 13501-6 : 2018.

**A.4.2. Classification**

The product, cable AUTOBUS 2+2, communication cable, in relation to reaction to fire behaviour, is classified: **E<sub>ca</sub>**

**Reaction to fire classification**

**E<sub>ca</sub>**

**A.4.3. Field of application**

This classification is valid for the cable described in A 2.2.

**A.5. Limitations**

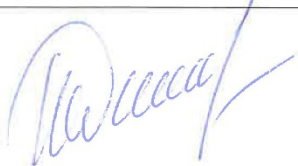

This classification document does not represent type approval or certification of the product.

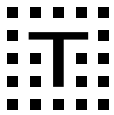
The classification assigned to the product in this report is appropriate to a declaration of conformity by the manufacturer within the context of AVCP system 3 and CE marking under Regulation 305/2011/EU of the European Parliament and of the Council of 9 March 2011 (the Construction Products Regulation or CPR).

The test laboratory has, therefore, played no part in sampling the product for the test, although it holds appropriate references, supplied by the manufacturer, to provide for traceability of the samples tested.

SIGNED

APPROVED

 Igor Dyakov, Test Executive.	 Hervé Breulet, Head of Accidental Risks Department
--	---



**TDS90005**

**AUTOBUS network cable 2+2 in a flexible tube**

The TELETASK AUTOBUS cable in a flexible tube of 16 Ø mm, is used to connect all the TELETASK interfaces and the central unit with each other. The interfaces are connected according to a bus topology. The AUTOBUS runs from one interface to the next interface. This AUTOBUS cable has not only fire retarding but is also 'low smoke fume' (LSF). The flex tube is also made from about 50% recycled materials.

**APPLICATION**

**Cable:**

The TELETASK LOW SMOKE AND FUME POLYVINYL-CHLORIDE (LSF) AUTOBUS cable is used to connect all the TELETASK interfaces and the central unit with each other.

**Flex Tube:**

This TDS90005 AUTOBUS cable is provided with a flexible tube for easy and fast enrolment to generate lower labour cost for the installation of the AUTOBUS cable.

**CHARACTERISTICS**

**AUTOBUS**

The TELETASK AUTOBUS is a bi-directional high speed bus. When you press a button (closing a contact), the corresponding interface immediately transmits the command (including error detection and correction information) via the AUTOBUS cable to the central unit. The central unit answers to this command with a confirmation to the transmitting interface. If this is not the case, the interface will retransmit his command. This AUTOBUS cable has not only fire retarding but is also 'low smoke fume' (LSF). The specifications of the used compound are compliant with:

- CPR: Eca
- EN 50 086-2-2
- CEI 20-11 M1
- CEI 20-22 II
- VDE 0207 Part t24, type HM2
- VDE 0250 Part 215, type HM5
- HD 21-14 S1, type TI6.
- UL94-V0
- IEC 60332-3
- IEC 60695-11-10
- IEC 332.3

**Mechanical**

Colour: blue.

Max. cable length: 1km.

The AUTOBUS cable consists of four copper conductors: 2 x 0.25 mm<sup>2</sup> (data transmission) + 2 x 1.00 mm<sup>2</sup> (power supply).

**Electrical**

High speed bus cable with speeds up to 1Megabit.

**Insulation voltage (at 20°C):**

Of the covering blue sheath: 3000V (test)

**Operating voltage:**

Of the red and black wire (1mm<sup>2</sup>): 12V

**Flex Tube**

- Polypropylene copolymer minimum 25% + recycled post-consumer min. 25%, post-industrial recovery recycled max. 50%.
- Flame retarding and coloring additive

- Halogen free according EN 60754-1&2:2014 (IEC 60754 1&2:2011)
- Low smoke according EN 61034-2:2006
- Corresponding standards:
  - EN 61386-22:2004-A:2010
  - EN 61386-1:2009 (IEC 61386-1 Ed2.0:2008)
  - EN 60423:2007
- Certification : CEBEC 1152 - NF-USE 739 – KEMAKEUR
- Classification : ICTA 3422
  - 3 compression force 750N at 23°C
  - 4 impact force 6J at -5°C
  - 2 minimal ambient temperature -5°C
  - 2 maximal ambient temperature +90°C
- Fire hazard : non flame propagating, according EN 61386-22 §12.1:2004-A2010

**INSTALLATION**

**Qualification**

Only qualified electrical contractors, who have the necessary training and knowledge of the electrical and electromagnetic regulations concerning the safety of the end-user, are allowed to install the TELETASK products.

If used inside a cable tray, a minimum distance of 6 cm between AUTOBUS and power cables must be respected.

The AUTOBUS connection is fourfold:

- the +12V connection (thick red wire)
- the 0V connection (ground) - (thick black wire)
- communication wire 'A' (thin blue wire)
- communication wire 'B' (thin white wire)

! Remark: The AUTOBUS cable is to be wired in bus configuration. (each device after another)

! Remark: The central unit is also a node on the bus, to increase the power level on the interfaces, place the central unit somewhere in the middle of the bus. (you can start with two cables at every AUTOBUS connection which is available on your central unit or on the AUTOBUS extension unit TDS10212)

**Terminating the AUTOBUS.**

In order to eliminate reflections on the bus cable, it is necessary to terminate the AUTOBUS by means of a terminating resistor. The resistor is to be connected at each far end of the AUTOBUS cable at the last interface. This is done by setting a jumper (AUTOBUS terminating resistor), which is supplied with every AUTOBUS connector set.

By default, there are no terminating resistors activated.

## CONNECTIONS

### Central Unit

Use the AUTOBUS plug-in connector on the TELETASK central unit.

### Interfaces

Use the special AUTOBUS connector set, delivered with every TELETASK interface. The colours correspond with the wires of the AUTOBUS connector set.

! !!! Star topology cabling is NOT allowed.

## DIMENSIONS

### Diameter:

Cable: 6,5 Ø mm +/- 0.2 mm

Tube: 16 Ø mm

### Length:

Reels of 100 m

### Packaging:

51 Ø x 21 cm

## NET | GROSS WEIGHT

11,15 kg | 11,15 kg

## STORAGE

### Temperature

-20°C to +65°C

### Relative humidity

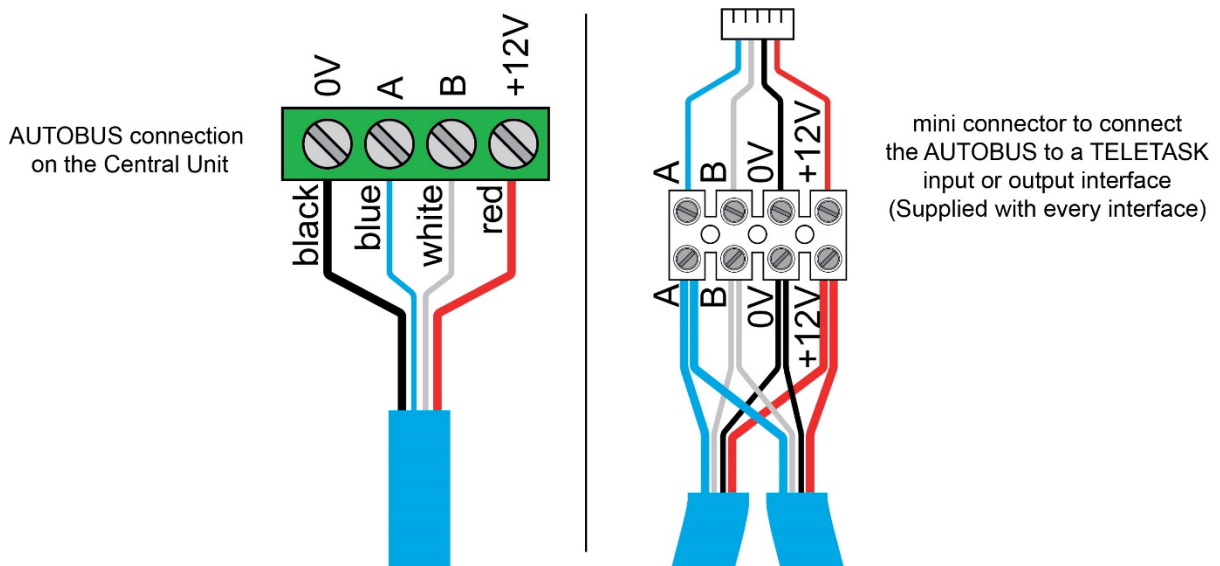
15% to 85%

## OPERATING RANGE

### Temperature

-25°C to +80°C max.

## SCHEMATIC DRAWING



## **K. APPENDIX**

## Appendix 1 Inrush Currents.

When a relay contact is opened or closed, depending on the load, a small or larger spark/arc is created between both relay contacts. With overload currents and specifically when a capacitive load is connected, the arc can be so intense that the relay contacts melt and stick to each other due to the released heat. You can expect that generally spoken, the higher the inrush current, the higher the risk that the relay contacts stick.

A comparable damage risk occurs when a loaded contact is opened when an inductive load is connected. But all TDS power contacts are protected against over Voltages generated due to inductive loads.

In most cases the stuck contacts break when the relay opens due to the mechanical force on the relay contacts (it is made for this). But with a frequently applied high inrush current, after a number of cycles the contacts can stick permanently. In that case the relay becomes unusable. To avoid this problem, TELETASK uses special high inrush current contacts. These can bear very high inrush currents (IHI) which are a multiple of the nominal current (IN). Both values are available in the data sheet of the corresponding TELETASK product.

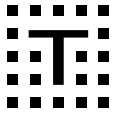
The biggest disadvantage of an inrush current is that you can't calculate it by using a simple formula like  $I=P/U$ . Therefore the inrush current of several typical loads was measured in lab tests and based on information of 'load device' manufacturers. TELETASK puts these values as a rule of thumb in the table below.

Always ask your 'load'- supplier for the right nominal current (IN) and inrush current (IHI) of the connected devices. The inrush current can be a multiple (up to 40 times) of the nominal current. This is often forgotten and may generate limited lifetime of power contacts if not properly handled at installation level. The inrush current from the table is important to determine the maximum nominal load that can be switched per relay, based on the switching capabilities of its contacts.

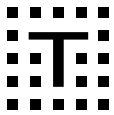
Example: If you have a number of capacitive LED lights with a nominal current consumption of 1Amp(@230VAC), the contact inrush current switching capability should be 40Amp (factor x40) in order to have a standard lifetime as mentioned in the data sheet of the contact interface.

Example: each contact of the TDS13512 can switch loads with nominal current of up to 10A/230VAC and with an inrush current up to 65A (see datasheet of the TDS13512). So for 1Amp capacitive LED load, this is no problem. The limit is 65A (/40=1.625 A In).

type of Load	Typical max. inrush current (.. x IN)	Time to achieve IN
Resistive	1,0	-
Wolfram- Light bulb	10...15	0,3 sec
Halogen lamp	20.. 30?	?
Non compensated fluorescent lamp	5...10	10 sec
Low energy light bulb	20...40	5...20 ms
LED lamp	20...40 (is a capacitive load)	5...20 ms
Magnet coil (AC)	3...20	0,1 sec
Motor (AC)	5...10	0,2...0,5 sec
Transformer	5...15	0,1 sec
Capacitor	20...40	5...20 ms

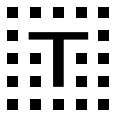


## **L. CHANGE LOG**

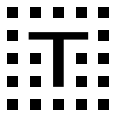


VER.	DATE	MODIFICATION
V199	2017-09-26	TDS10009 Update TDS12017 TDS10129 Added installation remark TDS10130 Added installation remark TDS12051 Added IP cam specifications TDS12052 Added IP cam specifications TDS12053 Added IP cam specifications TDS12064 Added IP cam specifications TDS12202 Update picture TDS12501 End of life TDS12503 New TDS12251 Update IP rating + installation instructions TDS12280 Update TDS12117 TDS12285 Update TDS12117 TDS13510 Added installation remark TDS13512 Added installation remark TDS13522 Added installation remark TDS13526 Added installation remark TDS13530 Added installation remark TDS13632 Instruction fuse replacement TDS13634 Instruction fuse replacement TDS15101 Added IP cam specifications + update system requirements TDS15105 Added IP cam specifications TDS1511x Added IP cam specifications TDS20121 Added installation remark
V200	2018-04-27	TDS10009 Update compatibility references TDS12142 Update TDS12270 IP rating correction TDS12051 Update camera specs and VoIP limitations TDS12032 Correction wall-box reference TDS90037 Added IK rating TDS20065 New TDS12019 Added TDS90037 and TDS12503 TDS12020 Added TDS90037 and TDS12503 TDS12021 Added TDS90037 and TDS12503 TDS12022 Added TDS90037 and TDS12503 TDS12024 Added TDS90037 and TDS12503 TDS12026 Added TDS90037 and TDS12503 TDS12064 Added TDS90037 and TDS12503 TDS12025 Added TDS12503 TDS12032 Added TDS12503 TDS14061 End of life TDS20061xx End of life TDS20062xx End of life TDS20063xx End of life TDS20121 End of life
V201	2018-10-01	TDS12142 Update TDS10129 End of life TDS10130 End of life TDS10132 New TDS10134 New TDS12502 End of life TDS20065 Update TDS13526 Added switching duration TDS20620V2 Update to TDS13621 TDS13621 New TDS12311 New TDS13610 End of life TDS13611 New TDS15200 Update TDS14061 Reintroduction with Modbus address mapping TDS10009 Update to TDS13611 TDS12251 Update to TDS13611 TDS10134 Correction included packaging TDS56421B End of life
V202	2019-06-03	TDS56409 Added

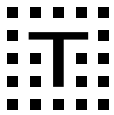




V203	2019-11-27	TDS20065 List updated (Outdoor unit: RXM60M9 + Indoor unit: FNA60A) TDS10202 Power consumption updated TDS12251 Characteristics TDS13512; TDS10009; TDS10012 Relay specs change
V204	2020-04-29	TDS13632/34 added: DC LED strips via the high frequency PWM... TDS12125 new 24V LED drawing added TDS13621 In characteristics added: 'The DALI control gear should support the DIRECT ARC POWER with level 255 (Stop fading), otherwise continuous dimming will not work.' TDS15240: information added: Max. 50 audio zones in total (PROSOFT is limited to 50 zones). + 2 remarks + Bose Sound Touch TDS12020xx: Power consumption AUTOBUS 18mA -> 26mA (2x LED ON) TDS90004/5/9: type LOW SMOKE AND FUME POLYVINYL-CHLORIDE + In compliance with CEI 20-22 II & IEC 332.3 STANDARDS TDS90005: characteristics for 'Flex Tube' added TDS12311: schematic drawing updated TDS15110: Drawing updated TDS12051 + TDS12052 + TDS12053: Added 'CA' to the product code including in 'packing content'. TDS15101: word 'license' added in the title TDS13522: word 'Dual' added in the title TDS14110...TDS14148 : all NUVO devices removed TDS14042: placed to 'Output interfaces'. TDS12032 AURUS OLED XL -> AURUS OLED PLUS TDS13226: End of Life TDS14061: End of Life TDS14021: End of Life TDS20101: End of Life TDS90165: End of Life TDS12070 'OPUS' added (NEW) TDS12075 'Desktop holder for OPUS' added (NEW) TSF16100 'REMOTE SERVICES' added (NEW) TSF16120 'VOICE CONTROL' added (NEW) TDS99019 'PICOS starter kit' added (NEW) TDS12301 "COOKIE AD (NEW) Appendix - Inrush currents: removed due to not relevant anymore
V205	2020-06-01	TDS12280 Operating range temperature is from 0-50°C and not from -70-125°C TDS12070 OPUS: item codes of spare parts TDS90470 + TDS90471 added, in 'Connections': UTP category added (5e/6) and 48V removed + schematic drawing changed
V206	2020-06-19	TDS20065: Blue Star added, Daikin List update, Gree list update, Kentatsu units added, existing Kentatsu Units -> LG list, Panasonic complete update.
V207	2020-07-01	TDS12070 Updated specifications for video door phone, gross weight changed, microfiber added to packaging content
V208	2020-07-28	TDS12070: Thickness of wall plate added to dimensions TDS10134: Output: 4.0A TDS13609: End of Life -> Update to TDS13611
V209	2020-10-30	TDS10009 PICOS updated with information about 'PICOS+ license'
V210	2020-11-25	Front page logo change TDS10009 PICOS text: *** The TDS13621 interface is limited to 8 DALI or 8 DMX output channels on the PICOS.
V211	2021-03-02	TDS12287 Wind Speed Meter (NEW) TDS12134 COOKIE interface with 4x digital input (NEW) TDS12135 COOKIE digital input interface with LED feedback and PT100 input (NEW)
V212	2021-03-22	TDS12135 small schematic drawing changes Central units comparison table: Max. number of total outputs (internal + extensions on AUTOBUS) 4 -> 8 motor outputs TDS10012 SW1 functionality added TDS20065 list updated TDS15240 Audio-IP software license details adjusted TDS15200 Image changed TDS13611 'fluorescent' removed because now more used for 1-10V LED control TDS10200 SW1 functionality added. Minor 'dimensions' name update. TDS10009 SW1 functionality added. Minor 'dimensions' name update. TDS12032 Change in installation: to be placed in horizontal position only ('only' is added)



		Central units comparison updated
V213	2021-04-12	TDS10012: SW1 functionality added. + EOL Central unit comparison updated with '500 per central unit maximum' TDS15240: remarks updated for Heos, Nuvo, Sonos and Bose TDS12070: Mounting instructions updated with metal wall plate information TDS12075: Mounting instructions updated with metal wall plate information TDS12301: warranty period added
V214	2022-04-20	TDS12051CA + TDS12052CA + TDS12053CA: Antibacterial surface coating TDS90004-9: Eca classification + report added TDS13512: In characteristics table was the following note removed: <i>'The internal relays are plug-in type for service reasons. Order reference spare relay: TDS90153.'</i> TDS13512: "(with plug-in relays)" is removed TDS90004-9: in INSTALLATION section the Remarks are adjusted. Connection drawings adjusted+CPR:Eca added TDS90005: in INSTALLATION section the Remarks are adjusted. Connection drawings adjusted + CPR: Eca added + Flex tube recycled material specifications added TDS90304 NEW item added to TDS90004-9 with weight and dimension specifications TDS12251: Sensor Probe length adjusted from 1,5 to 2m TDS13621: Build-in power supply remark added: Current is limited to max. 128mA (sufficient for 64 ballasts that draws 2mA or less) TDS13642: Dimmer output :Max ten (10) LED lamps per channel + important installation remarks added. 'Iron core' transformer remark added in connections section. TDS13644: Dimmer output :Max eight (8) LED lamps per channel + important installation remarks added. 'Iron core' transformer remark added in connections section. TDS14042: End Of Life TDS20065: New Daikin VRV indoor & outdoor Units (VRV 5) added TDS20067XX: Added. Info to the section 'To the indoor unit'. Drawing updated. New Daikin VRV+ Configuration adjusted to PROSOFT V3.8.2 TDS20068: Brands Added and drawing updated. New Daikin VRV Units added TDS12142 :Completely reworked and updated with new information including PN, GB. Radius added in dimensions section. TDS10009 + TDS10200: Remarks added to 50 audio zones limit: "depends on the connected audio system, see datasheet of TDS15240" TDS13621: Added in description: "You can connect up to 7 interfaces to one Central Unit (due to a limit of 500 dim circuits)." + Current limit to power supply section TDS20065: New supported brands added TDS12070: Installation drawings adjusted TDS12075: Wall bracket is added to package contents, and installation instructions changed TDS10012: Micros+ is End Of Life (item removed) All 'licence' spelling changed to 'license' All datasheets: Terminating resistors (supplied with the interface) -> (supplied with the central unit) TDS20069 NEW product Added TDS12022: Installation image updated TDS10119V2 IP Interface is EOL. Replacement model ATA191-3PW-K9 via SISCO. Appendix added and updated Adjusted TDS13512: 80Amp inrush and Hhi=65Amp both changed to 60Amp. Socket information is removed. TDS12202: TDS12142 changed to TDS12142xx TDS12203: TDS12142 changed to TDS12142xx TDS12311: Gross weight changed to 0.180 Kg TDS13504: NEW product added TDS12150 NEW product added TDS12340: NEW product added TDS12124: EOL and removed TDS12125: EOL and removed (TDS12280 to be connected to TDS12134) TDS12129: EOL and removed TDS10009: notes about EOL products removed TDS12280: notes about EOL products removed TDS12503: notes about EOL products removed TDS14043: added: TDS14065
V215	2022-05-09	TDS12150: Information about PU coating added. Colour specification added. TDS12340BE: 'BE' was added to product code TDS13609: Correction. Removed product is back in the datasheet book TDS12064xx: EOL TDS12070: Important installation remark added.
V216	2022-11-02	TDS12150WH Lux changed to 10 Lumens in main description.



		<p>TDS12026 Drawing adjusted with QR code link  TDS20068 Links and QR code added  TDS14043 Only compatible with TDS14065 (TDS14041, TDS14042 removed due to EOL)  TDS12150 Adjusted with BL version -&gt; TDS12150WH -&gt; TDS12150 (WH +BL possible)  TDS10200 NANOS Central Unit is End of Life -&gt; PALAS  TDS10009 PICOS Central Unit is End of Life -&gt; DOMUS  TDS10300 PALAS Central Unit (NEW product)  TDS10309 DOMUS Central Unit (NEW Product)</p>
V217	2022-11-07	<p>TDS20065 64 to 32 indoor units  TDS13504 Bruto weight is changed to 0,222kg  TDS12150 SIRIUS: Example of installation height calculation added  TDS12150 SIRIUS: accessories TDS90460 added.  TDS99019 is EOL  TDS12051CA: Drawing changed, X86 Microsoft Windows Embedded Standard 7 solid state computer -&gt; Windows 10 IoT Enterprise embedded touch panel // DDR2 -&gt; DDR3L  TDS12052CA: drawing changed, X86 Windows solid state computer. -&gt; Windows 10 IoT Enterprise embedded touch panel // Fanless low consumption Intel® ATOM N2800 1,86 GHz with integrated graphics controller.-&gt; Fanless low consumption Intel® Celeron N2930, Quad-Core 1,83 GHzCPU with int. graphics ctrl // 16GB SSD (Solid State flash disk)-&gt; High speed flash drive 60GB // DDR2 -&gt; DDR3L  TDS12053CA: Drawing changed, X86 Windows solid state computer. -&gt;Windows 10 IoT Enterprise embedded touch panel  Fanless low consumption Intel® ATOM N2800 1,86 GHz with integrated graphics controller.-&gt; Fanless low consumption Intel® Celeron N2930, Quad-Core 1,83 GHzCPU with int. graphics ctrl // 16GB SSD (Solid State flash disk) -&gt; High speed flash drive 60GB // DDR2 -&gt; DDR3L  TDS12340BE: Data LED information is added. Cable information added.  TDS12250: Drawing changed + Use optional kit TDS90260 added  TDS12260: Drawing changed + Use optional kit TDS90260 added  TDS12270: Drawing changed + Use optional kit TDS90260 added  TDS12251: sensor probe dimensions changed including the IP rate and drawing  TDS20640BE: NEW product added  TDS90460xx: NEW product added  Introduction section is changed</p>
V218		<p>TDS10202: power supply drawing updated  TDS13611: the following remark is removed due to switching to soldering type relays: The 8 relays are plug-in type and can be replaced individually if necessary.</p>
V219	2023-07-11	<p>TDS12340BE: In 'General' added: Display of real time consumption is limited to 32000W + drawing updated with water meter  TDS20067: ModBus replaced by 'a daisy chain network'  TDS20068: ModBus replaced by 'a daisy chain network'  TDS10132: DOMUS, PALAS added + drawing adjusted  TDS10134: DOMUS, PALAS added + drawing adjusted  TDS56409: Changed to TDS56409G3 DOMUS demo case +drawing + ATMOS TSF16103 added + TDS15240 A/V license added  TDS12280: drawing adjusted with dimensions  TDS14043: drawing removed, characteristics adjusted  TDS12021: Thickness adjusted to 13mm  TDS12022: Thickness adjusted to 13mm  TDS12250xx: changed to 12250WH. PN version is removed.  TDS12260WH: changed to 12260WH. PN version is removed.  TDS12270WH: changed to 12270WH. PN version is removed. IP44 added.  TDS15101: EOL  TDS10200: SW1 and SW2 descriptions adjusted.  TDS10009: SW1 and SW2 descriptions adjusted.  TDS10012: SW1 and SW2 descriptions adjusted  TDS90460xx: small change in the application description  TDS12075xx: instructions image adjusted, wall bracket removed, wall plate info added  TSF16101: NEW product added</p>

TELETASK can't be responsible for potential errors in the data sheets and technical documentation. Changes in the product features can be made at any time, without prior notice.